

UHF REPEATER

# TKR-820/N/A

## SERVICE MANUAL

REVISED II

# KENWOOD

© 1993-6 PRINTED IN JAPAN  
B51-8050-10(O)1365

This service manual is the same as the TKR-820 REVISED (B51-8050-00) except that the TKR-820N and TKR-820A types have been added. Use this manual instead of the B51-8050-00 service manual.

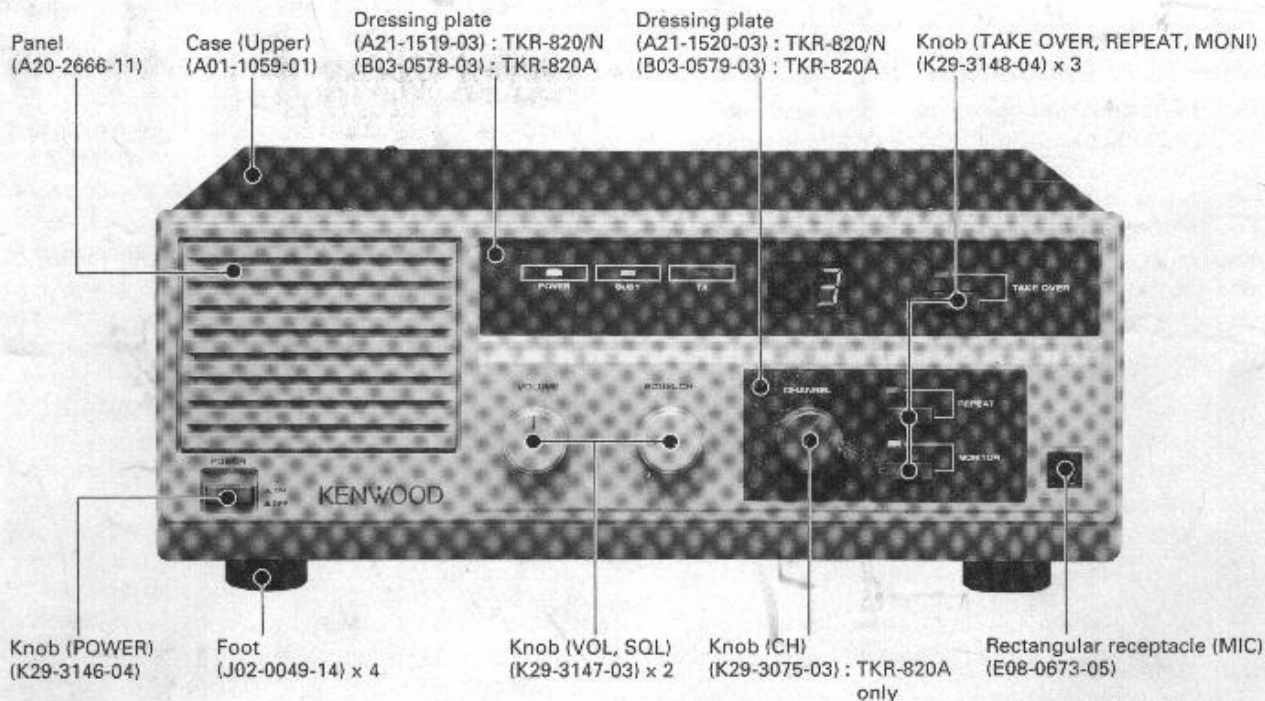


Photo is TKR-820A type.

## CONTENTS

GENERAL .....	2	RX VCO : Z2 (X58-3150-XX) .....	71
SYSTEM SET-UP .....	4	TX VCO : Z5 (X58-3460-XX) .....	72
INSTALLATION .....	5	MIC AMP : Z7 (X59-3210-10) .....	73
CONVERSION .....	8	IF : Z8 (X59-3220-10) .....	74
DISASSEMBLY FOR REPAIR .....	11	BPF/VCA : Z9 (X59-3230-10) .....	75
BLOCK DIAGRAM .....	17	SIGNALING UNIT (X52-3140-XX) .....	76
CIRCUIT DESCRIPTION .....	19	AVR UNIT (X43-3040-10) .....	79
SEMICONDUCTOR DATA .....	27	FINAL UNIT (X45-3250-XX) .....	80
DESCRIPTION OF COMPONENTS .....	34	DISPLAY UNIT (X54-3070-XX) .....	81
PARTS LIST .....	36	TX-RX UNIT (X57-3270-XX) .....	83
DISASSEMBLY .....	61	SCHEMATIC DIAGRAM .....	85
PACKING .....	63	TERMINAL FUNCTION .....	89
ADJUSTMENT .....	64	KMC-9 (BASE MICROPHONE) .....	91
PC BOARD VIEWS / CIRCUIT DIAGRAMS		SPECIFICATIONS .....	95
RX PLL : Z1, TX PLL : Z4 (X58-3120-10) .....	70		

## GENERAL

### INTRODUCTION

#### SCOPE OF THIS MANUAL

This manual is intended for use by experienced technicians familiar with similar types of commercial grade communications equipment. It contains all required service information for the equipment and is current as of the publication date. Changes which may occur after publication are covered by either Service Bulletins of Manual Revisions. These are issued as required.

#### ORDERING REPLACEMENT PARTS

When ordering replacement parts or equipment information, the full part identification number should be included. This applies to all parts: components, kits, or chassis. If the part number is not known, include the chassis or kit number of which it is a part, and a sufficient description of the required component for proper identification.

### PERSONNEL SAFETY

The following precautions are recommended for personnel safety:

- DO NOT transmit if someone is within two feet (0.6 meter) of the antenna.
- DO NOT transmit until all RF connectors are verified secure and any open connectors are properly terminated.
- SHUT OFF and DO NOT operate this equipment near electrical blasting caps or in an explosive atmosphere.
- All equipment should be properly grounded before power-up for safe operation.
- This equipment should be serviced by a qualified technician only.
- Be careful against electric hazard, for the commercial power supply is being applied to the internal circuitry of the radio even when the Power switch is OFF.

### FCC COMPLIANCE AND TYPE NUMBERS

Type acceptance number	Frequency range	Compliance
ALH9TKTKR-820-1	450 to 470MHz	Part 22, 74, 90 and 95A
ALHTKR-820-2	470 to 490MHz	Part 22, 74 and 90
ALHTKR-820-3	490 to 512MHz	Part 22, 74 and 90
ALHTKR-820-4	406 to 430MHz	Part 90

#### 1. POWER-UP

To push on the radio. The POWER indicator will illuminate to indicate power is ON.

#### 2. TO RECEIVE

Operation	Procedure
1. Disable QT If so programmed.	Push on MONITOR switch.
2. Unsquench radio	Turn SQUELCH control counter-clockwise until noise is heard.
3. Set VOLUME control	Adjust VOLUME control for a normal listening level.
4. Set SQUELCH control	Advance SQUELCH control clockwise until noise just stops.
The radio will now receive all traffic on the selected channel.	
5. Enable QT If so programmed.	Press the MONITOR switch to OFF.
You will now hear messages for your system only.	

#### 3. TO TRANSMIT (In case a microphone is connected)

Operation	Procedure
1. Disable QT	Depress MONITOR switch on front panel or microphone.
2. LISTEN	DO NOT TRANSMIT if channel is in use.
3. Key transmitter	Press and hold the microphone PTT switch. The Red LED on the front panel will glow indicating the transmitter is ON.
4. Transmit message	Hold microphone at about 2 inches distance and speak at a normal voice level. Keep transmissions brief.
5. Receive reply	Release the microphone PTT switch.
6. Enable QT at end of the conversation If so programmed.	Depress MONITOR to the out position.

## GENERAL

**4. DURING OPERATION OF REPEATER**

Operation	Procedure
1. Enable repeat	Press the REPEAT switch to ON.
2. Start of repeat	When a signal including the object tone signal (provided that it has been programmed) is input and if its level is higher than the preset squelch level, a signal modulated by the set tone signal (provided that it has been programmed) and received audio signal is transmitted.
3. End of repeat	When the received signal disappears, the transmission is stopped after the set period of time. There indicator lights while the signal is transmitted.
4. Disable repeat	Press the REPEAT switch again to OFF.

**PRE-INSTALLATION CONSIDERATIONS****1. UNPACKING**

Unpack the radio from its shipping container and check for accessory items. If any item is missing, please contact KENWOOD immediately.

**2. LICENSING REQUIREMENTS**

Federal regulations require a station license for each radio installation (mobile or base) be obtained by the equipment owner. The license is responsible for ensuring transmitter power, frequency, and deviation are within the limits permitted by the station license.

Transmitter adjustments may be performed only by a licensed technician holding an FCC first, second or general class commercial radiotelephone operator's license. There is no license required to install or operate the radio.

**3. PRE-INSTALLATION CHECKOUT****3-1. Introduction**

Each radio is adjusted and tested before shipment. However, it is recommended that receiver and transmitter operation be checked for proper operation before installation.

**3-2. Testing**

The radio should be tested complete with all cabling and accessories as they will be connected in the final installation. Transmitter frequency, deviation, and power output should be checked, as should receiver sensitivity, squelch operation, and audio output. QT equipment operation should be verified.

**4. PLANNING THE INSTALLATION****4-1. General**

Inspect the vehicle and determine how and where the radio antenna and accessories will be mounted.

Plan cable runs for protection against pinching or crushing wiring, and radio installation to prevent overheating.

**4-2. Antenna**

When an outdoor antenna is to be installed, select an unobstructed position with good visibility.

The VSWR of the antenna should be no more than 2.

Select a coaxial cable with as small loss as possible, and its length should be as short as possible.

**4-3. Radio**

Install the radio on a rack using rack-mount brackets, or on a flat surface that can withstand its weight. Do not install the radio in a place subject to direct sunlight or near heating equipment. Avoid wet place, and install it in a well-ventilated place.

**4-4. AC power supply**

This unit has been designed for use exclusively with commercial AC power supply. As the rated current for transmission output attains about 2A, connect the unit to a wall outlet that can handle this current with margin.

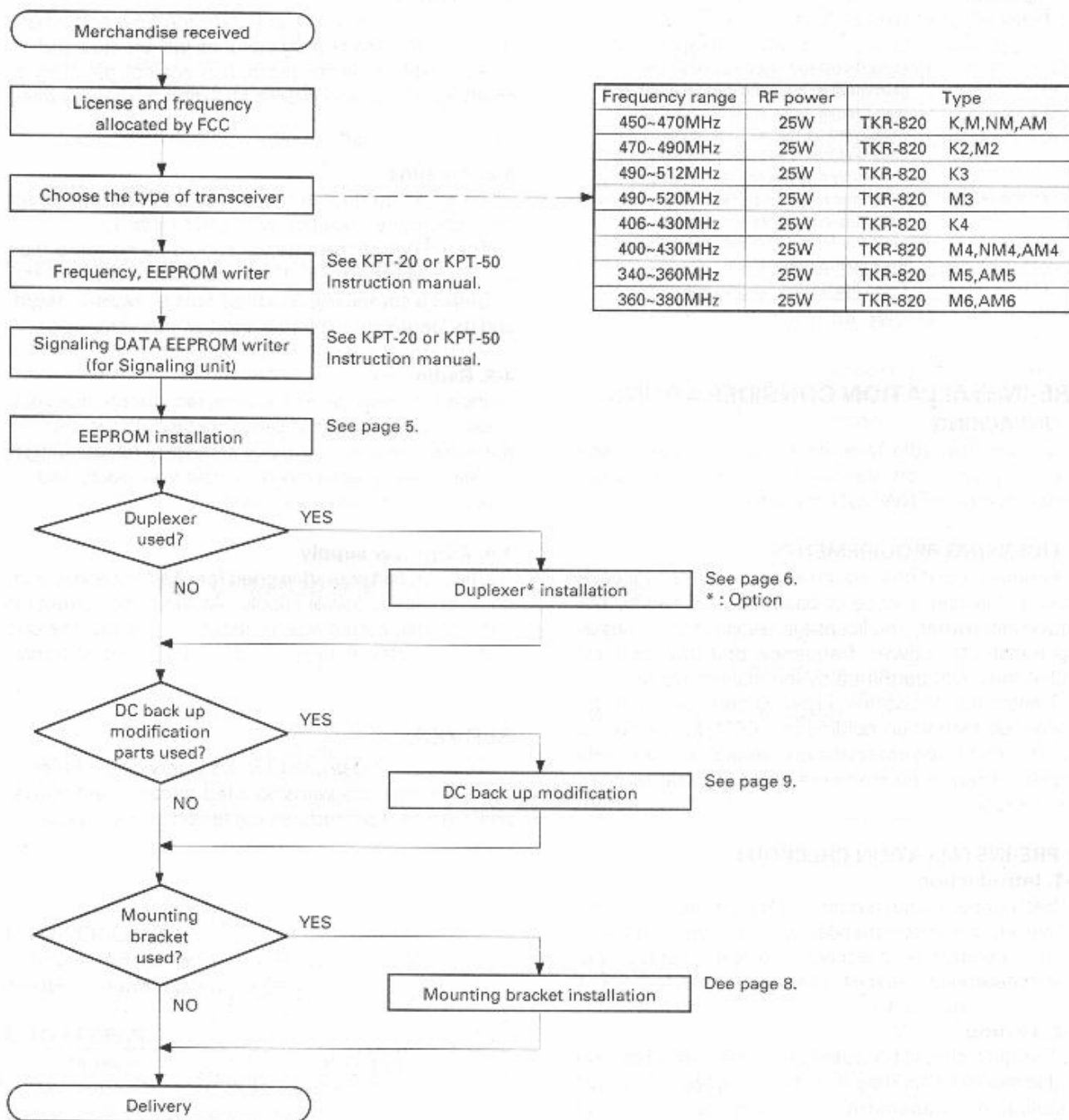
**SERVICE**

This radio is designed for easy servicing. Refer to the schematic diagrams, printed circuit board views, and alignment procedures contained in this manual.

# TKR-820/N/A

## SYSTEM SET-UP

**Preparation** : Prepare an EEPROM writer, KPT-20 or KPT-50.

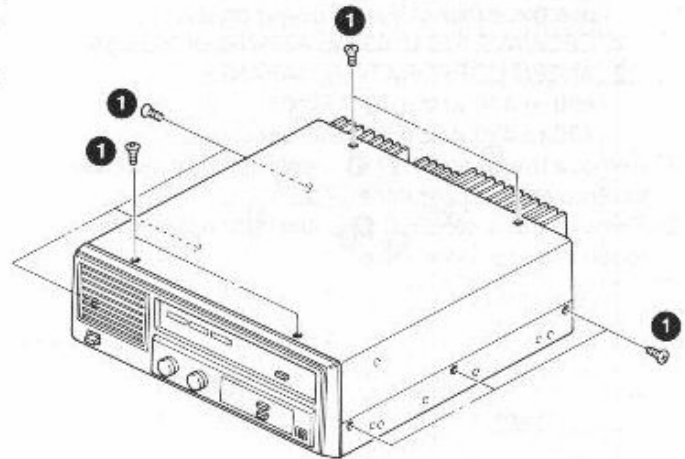


## INSTALLATION

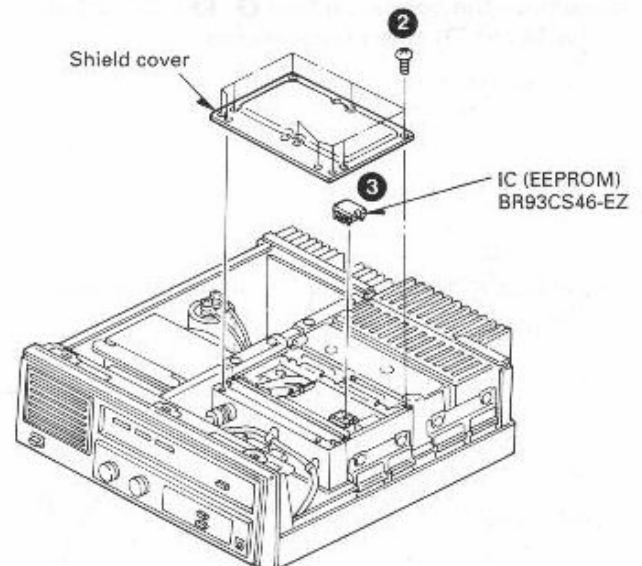
### Installing the EEPROM of Signaling Unit

**Note :** EEPROM is inserted into the Signaling unit of the TKR-820. Install it after writing the data using the ROM writer (KPT-20 or KPT-50).

1. Remove the 10 screws ( ❶ ) holding the upper case to remove the upper case.



2. Remove the 11 screws ( ❷ ) retaining the shield cover to remove the shield cover.
3. Insert the EEPROM ( ❸ ) on which the data has been written into the IC socket (IC10) on the Signaling unit.



# TKR-820/N/A

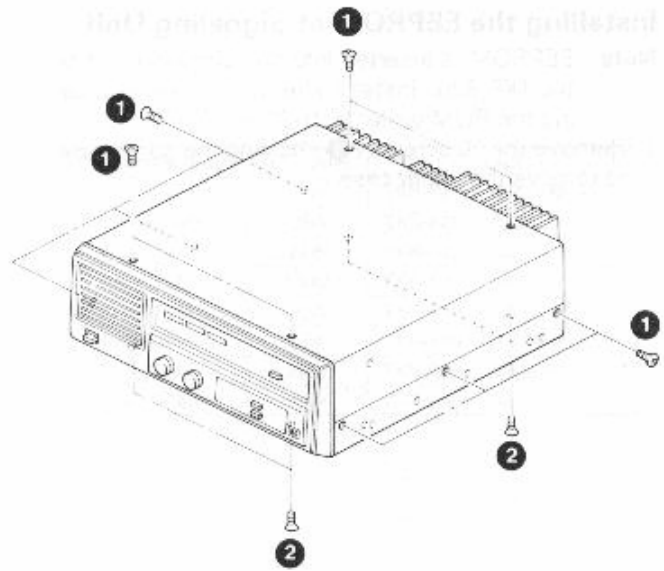
## INSTALLATION

### Installing the Duplexer

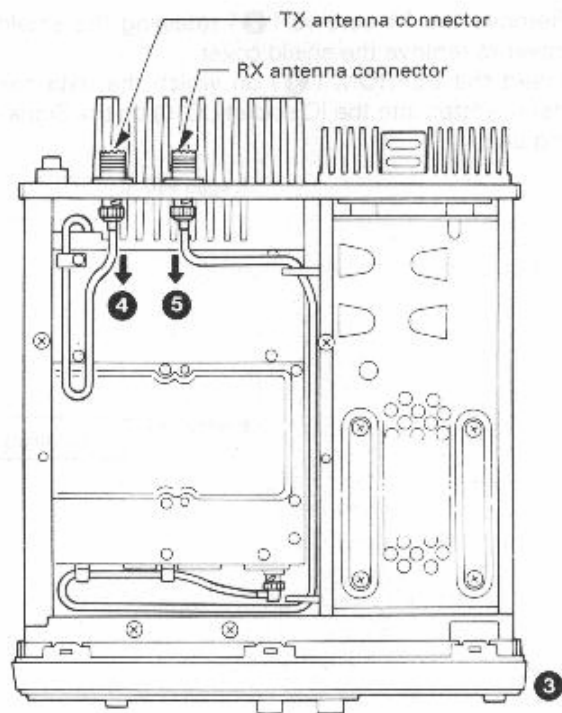
**Note:** When installing the duplexer in the TKR-820, use the either of the following products ;

1. CELWAVE (USA), 435 to 470MHz (PD633-6A)
2. ANTEN CORPORATION (JAPAN),  
450 to 470MHz (L79-0691-05)  
400 to 430MHz (L79-0896-05)

1. Remove the 10 screws ( ❶ ) holding the upper case to remove the upper case.
2. Remove the 4 screws ( ❷ ) holding the lower case to remove the lower case.



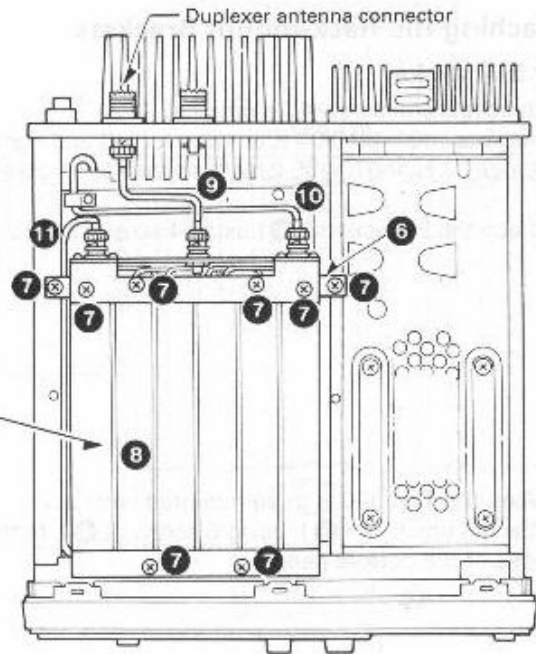
3. After removing the upper and lower cases, turn the set upside down, as shown in the figure ( ❸ ).
4. Remove the coaxial cables ( ❹ , ❺ ) connected to the TX and RX antenna connectors.



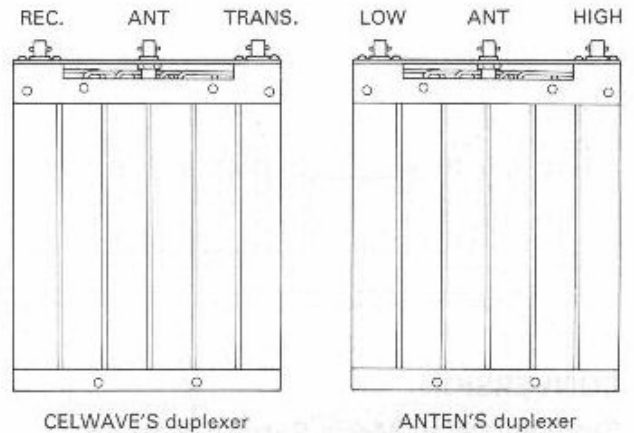
## INSTALLATION

5. Mount the duplexer (8) using the mounting hardware (6) and the 8 screws (7) provided with the set.
6. Connect the one end of the connector cable (9) provided with the set to the duplexer antenna connector and the other end to the ANT (center) of the duplexer.
7. Connect the connector cable (10) wired from the TX section and the connector cable (11) wired from the RX section to the duplexer.

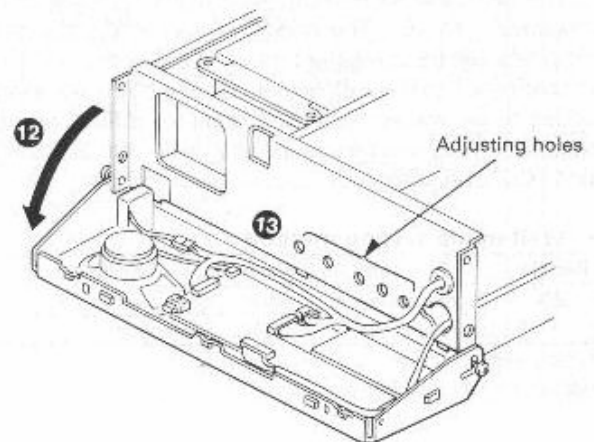
ex. CELWAVE'S duplexer



**Note :** The input/output connectors of the duplexer manufacture by CELWAVE or ANTEN are located as shown in the figure. Pay attention when connecting the connectors (as input/output location is reversed).



**Note :** When making adjustments after installing the duplexer, remove the front panel and hold down the sub-panel (12), then perform adjustments from the adjusting holes (13).



# TKR-820/N/A

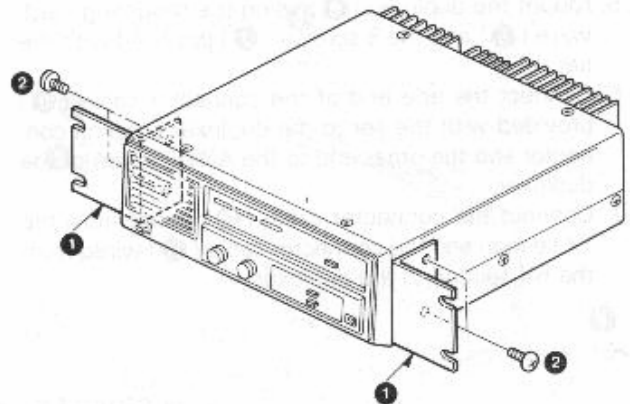
## INSTALLATION / CONVERSION

### Attaching the Rack-mount Brackets (for EIA racks)

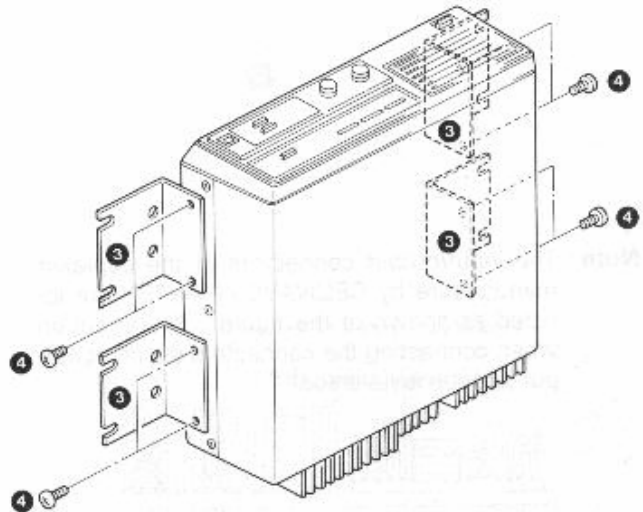
The brackets and screws are optional.

Brackets : J21-4250-04 (Common for left and right)  
Screw : N09-0704-05 (Use 2 screws per bracket)

1. Attach the 2 brackets (1) using 4 screws (2).



2. When the TKR-820 is to be mounted vertically ;  
Attach 4 brackets (3), using 8 screws (4), to the  
sides of the bottom panel.



## CONVERSION

### Signaling Wait Mode Setting Method

#### • What is the signaling wait mode?

The KPT-20 or KPT-50 can write signaling codes into channels 1 to 16. The codes written in up to eight channels can be used at a time, and the codes written in channels 1 to 8 are effective. One or more signaling codes to be waited for in the repeater mode can be selected. They can be changed by W4 of the Signaling unit (X52-3140-XX).

#### • Wait mode setting method

Ref. No.	Function	Mode	Setting
W4	Decode change in repeater mode	Short	Two or more codes
		Open	One code

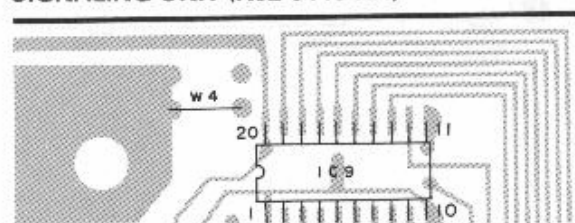
Factory setting : Short

W4 part No. : E31-1448-05

If the signaling wait is one code (W4 : open), the TKR-820/N uses the code written in channel 1, and the TKR-820A uses the signaling code in the displayed channel. If several codes are waited for (W4 : short), the multiple signaling codes written in channels 1 to 8 can be waited for.

**Note** : This function is available in serial No. 504XXXXX or later, and IC8 (27C256QJESB) or later.

### SIGNALING UNIT (X52-3140-XX)





## CONVERSION

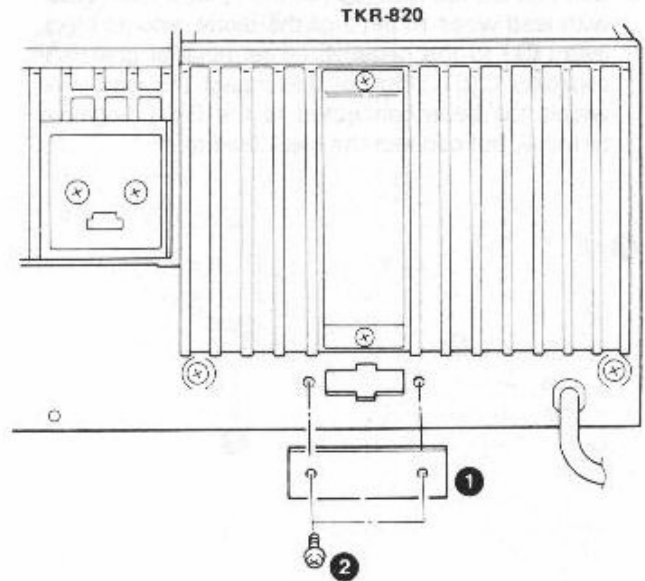
### Modification of the DC Switching Circuit (For Backup during a Power Failure)

#### : Excluding TKR-820A (M5, M6)

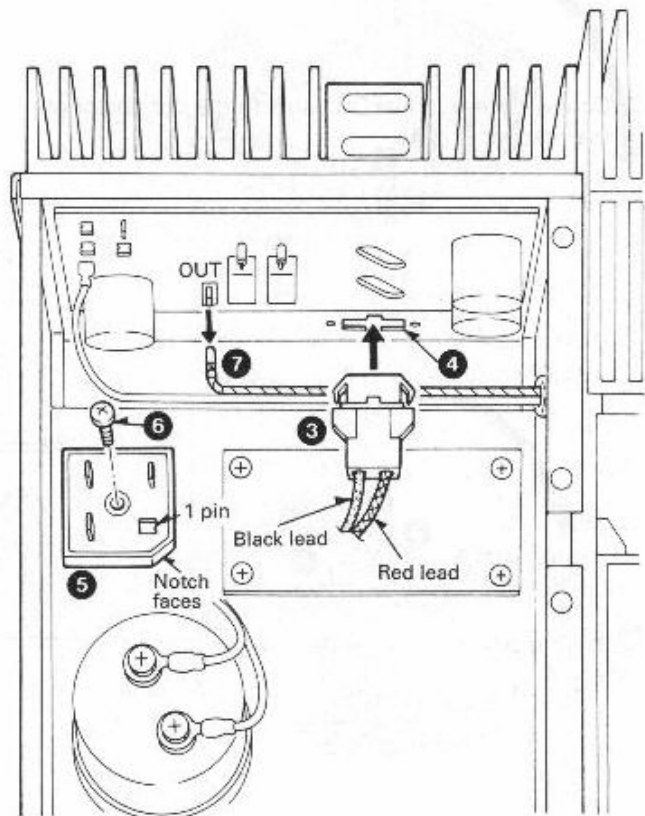
The following parts (optional) are required for the circuit modification.

Diode (S25VB10).....	1 pc.
DC cable (E30-2076-10) .....	1 pc.
Connector with lead wires (E31-3389-05) ...	1 pc.
Connector with lead wires (E31-3455-05) ...	1 pc.
Screw (N87-4014-46) .....	1 pc.

1. From the cover ( ❶ ) attached to the rear panel, remove the 2 screws ( ❷ ) and take off the cover.



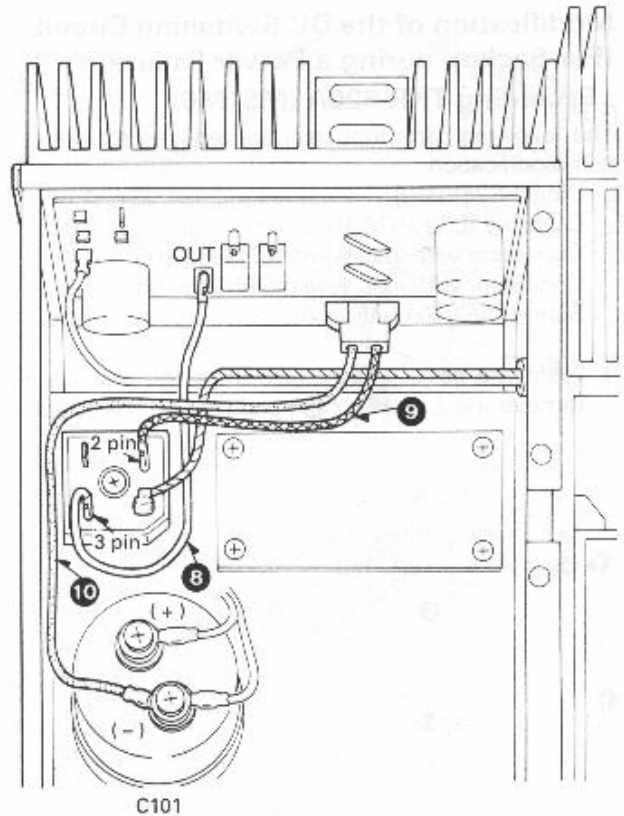
2. Insert the connector with lead wires ( ❸ ) into the hole on the rear panel ( ❹ ) (so that the red lead is on the right).
3. Place the diode ( ❺ ) so that its notch faces the direction shown in the illustration, and attach it using a screw ( ❻ ).
4. Disconnect the connector ( ❼ ) from the OUT terminal of the AVR unit, and connect its lead wire to pin 1 of the diode ( ❺ ).



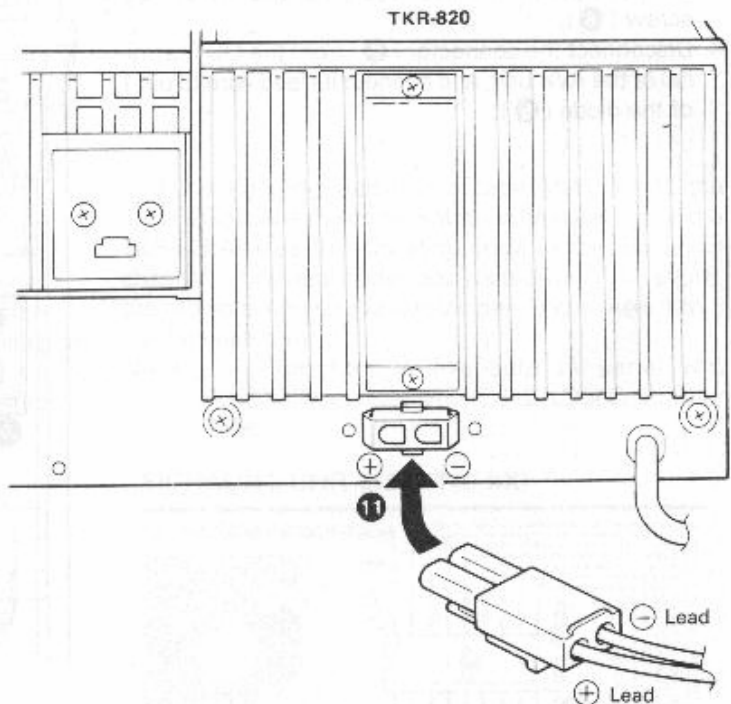
# TKR-820/N/A

## CONVERSION

5. Connect the optional connector with lead wires ( **8** ) to the OUT terminal of the AVR unit and to pin 3 of the diode.
6. Connect the red lead ( **9** ) of the optional connector with lead wires to pin 2 of the diode, and its black lead ( **10** ) to the negative (-) terminal of chemical capacitor C101. Do not disconnect the lead wire which has been connected to the C101 negative terminal, but connect the black lead to it.



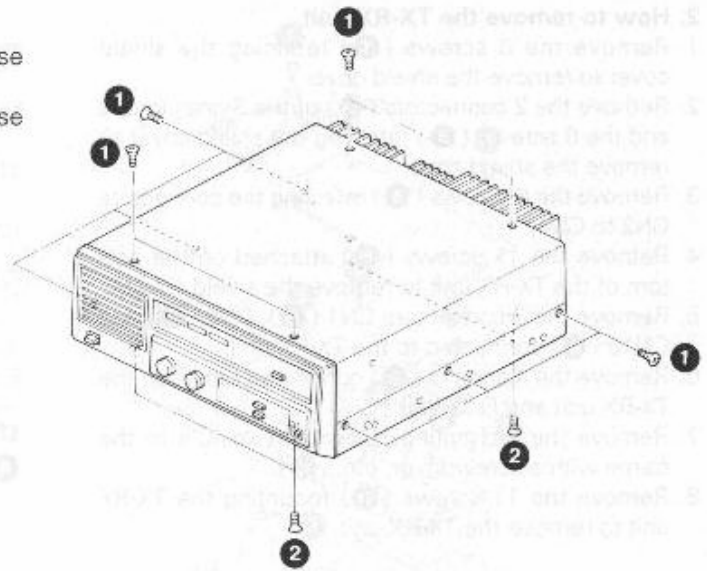
7. Connect the optional DC cable to the connector on the rear panel ( **11** ).



## DISASSEMBLY FOR REPAIR

### How to Remove the Case

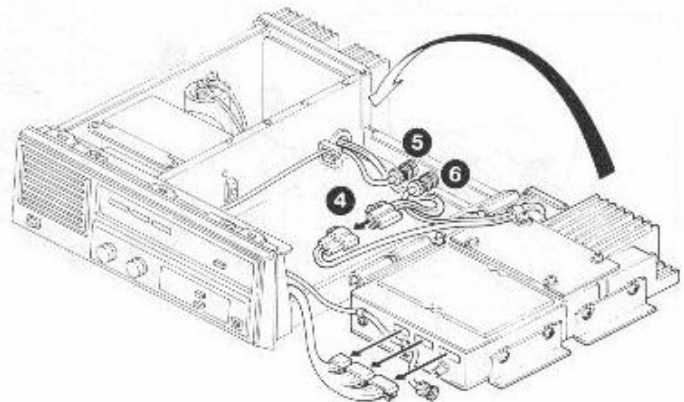
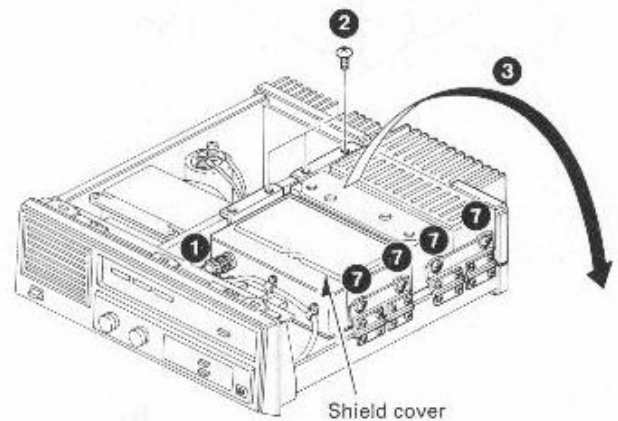
1. Remove the 10 screws (1) holding the upper case to remove the upper case.
2. Remove the 4 screws (2) holding the lower case to remove the lower case.



### Disassembling the Transmitter/Receiver Section

#### 1. How to remove the transmitter/receiver section

1. Remove the 4 connectors (CN1 to CN4) connected to the panel (Display unit) (1).
2. Remove the 3 screws (2) holding the transmitter/receiver section.
3. While lifting up on the transmitter/receiver section (3), remove the power supply connector (4) and the connector cables (5, 6) connected to the frame, and restore the transmitter/receiver section in place.
4. Remove the 4 screws (7) holding the transmitter/receiver section to the frame to remove the transmitter/receiver section.

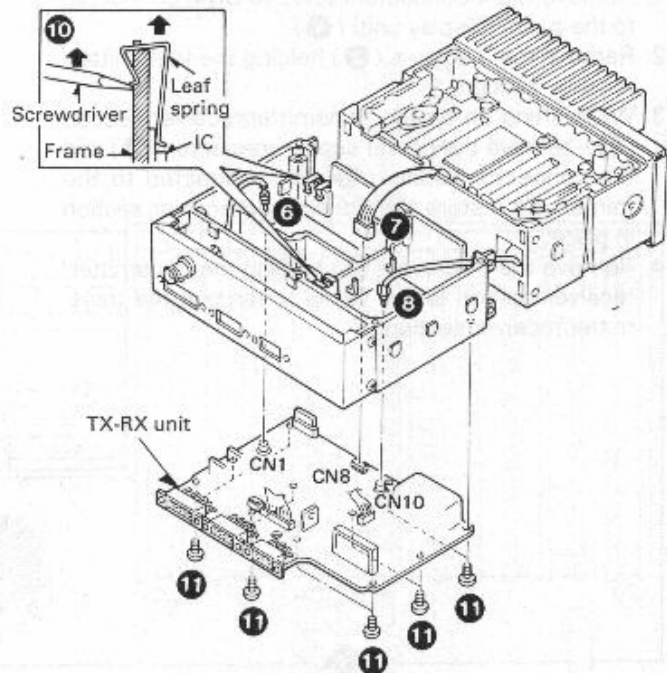
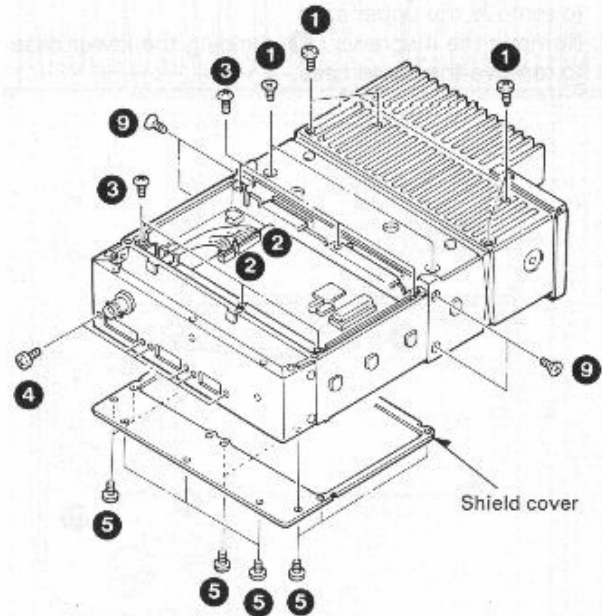


# TKR-820/N/A

## DISASSEMBLY FOR REPAIR

### 2. How to remove the TX-RX unit

1. Remove the 6 screws (1) retaining the shield cover to remove the shield cover.
2. Remove the 2 connectors (2) of the Signaling unit and the 6 screws (3) retaining the shield cover to remove the shield cover.
3. Remove the 6 screws (4) retaining the connectors CN2 to CN4.
4. Remove the 11 screws (5) attached on the bottom of the TX-RX unit to remove the shield cover.
5. Remove the 3 connectors CN1 (6), CN8 (7) and CN10 (8) connected to the TX-RX unit.
6. Remove the 4 screws (9) connected between the TX-RX unit and Final unit.
7. Remove the leaf spring fixing the two IC's to the frame with a screwdriver, etc. (10).
8. Remove the 11 screws (11) mounting the TX-RX unit to remove the TX-RX unit.

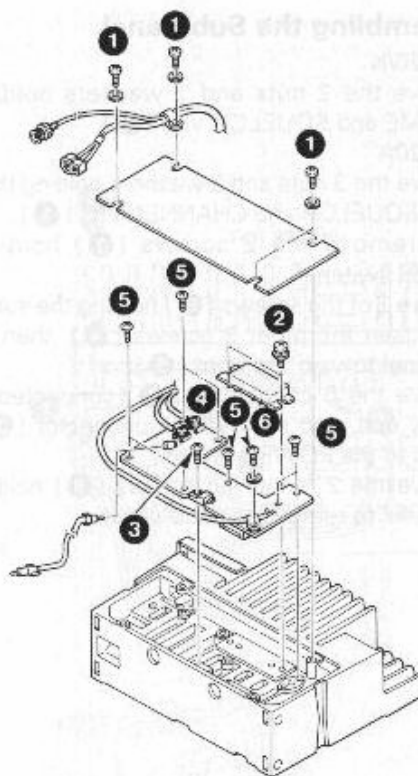


## DISASSEMBLY FOR REPAIR

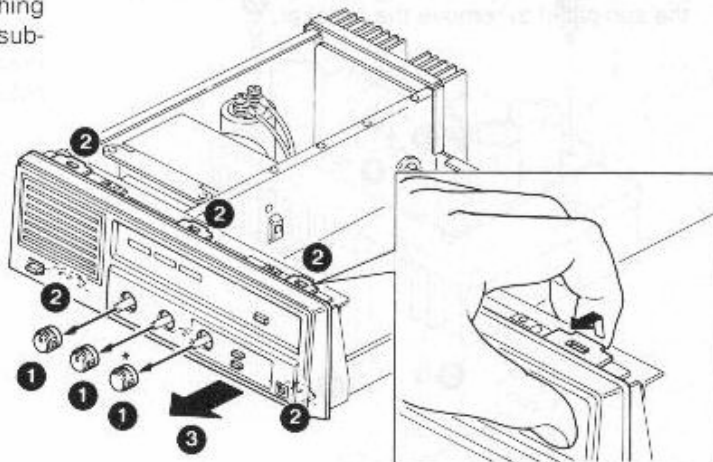
**3. Disassembling the Final ass'y unit**

1. Remove the 4 screws (1) retaining the shield cover to remove the shield cover.
2. Remove the 2 screws (2) retaining the power module IC to the heat sink.
3. Remove the screw (3) retaining the transistor to the heat sink.
4. Remove the 2 screws (4) retaining the power supply cables.
5. Remove the 8 screws (5) retaining the Final PC board to remove the Final PC board.

**Note :** When replacing only the power module IC, remove the screws (2) and then remove the 5 soldered parts of the power module IC's terminals (6) to remove the power module IC.

**How to Remove the Panel**

1. Pull off the VOLUME, SQUELCH and CHANNEL knobs (1). CHANNEL knob is TKR-820A only.
2. Release the 6 hooks (2) located on the upper and lower section, and holding the sub-panel by pushing them up with your finger. Then remove the sub-panel (3) by pulling it out toward the front.



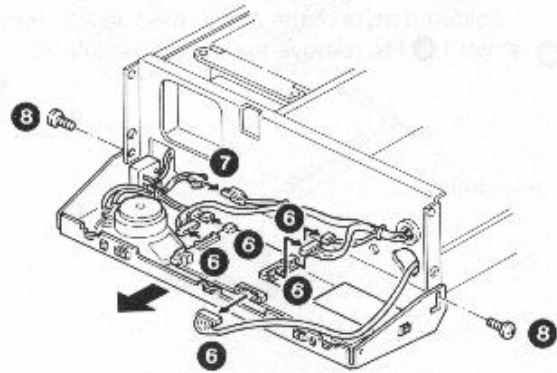
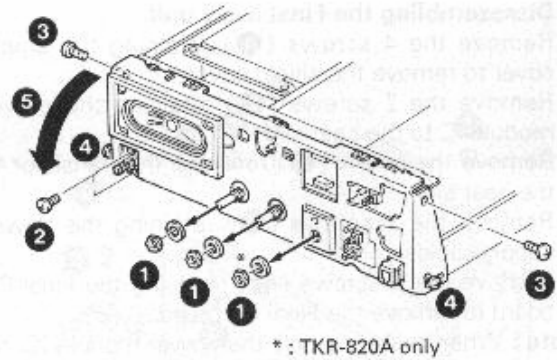
\* : TKR-820A only

# TKR-820/N/A

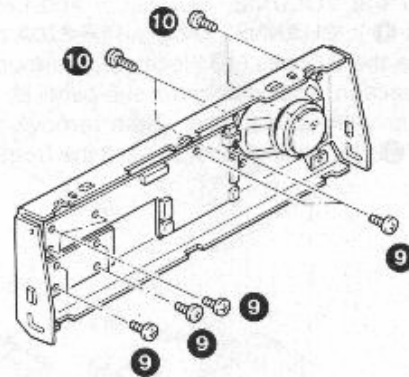
## DISASSEMBLY FOR REPAIR

### Disassembling the Sub-panel

1. TKR-820/N  
Remove the 2 nuts and 2 washers holding the VOLUME and SQUELCH VRs (1).  
TKR-820A  
Remove the 3 nuts and 3 washers holding the VOLUME, SQUELCH and CHANNEL VRs (1).  
Then remove the 2 screws (2) holding the POWER switch.
2. Remove 2 of the screws (3) holding the sub-panel, and loosen the other 2 screws (4), then tilt the sub-panel toward the front (5).
3. Remove the 5 connectors (6) connected to the Display unit, and remove the connector (7) connected to the POWER switch.
4. Remove the 2 remaining screws (8) holding the sub-panel to remove the sub-panel.



5. Remove the 9 screws (9) holding Display unit (A/4) and (B/4) to the sub-panel, and remove the Display unit (A/4) and (B/4).
6. Remove the 4 screws (10) holding the speaker to the sub-panel to remove the speaker.

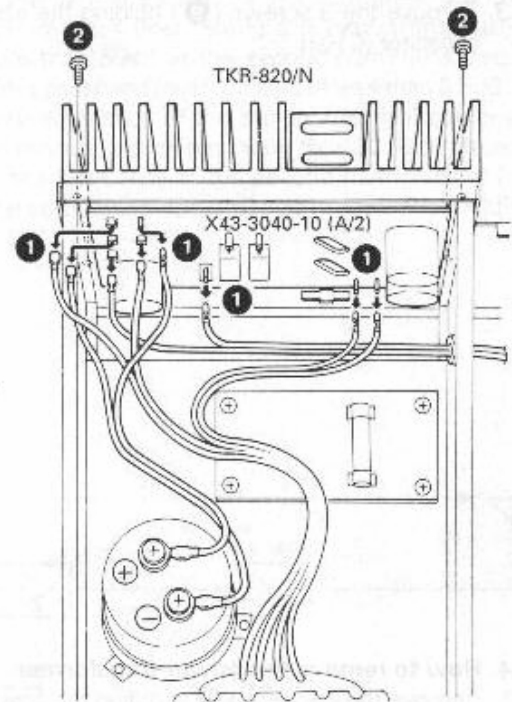
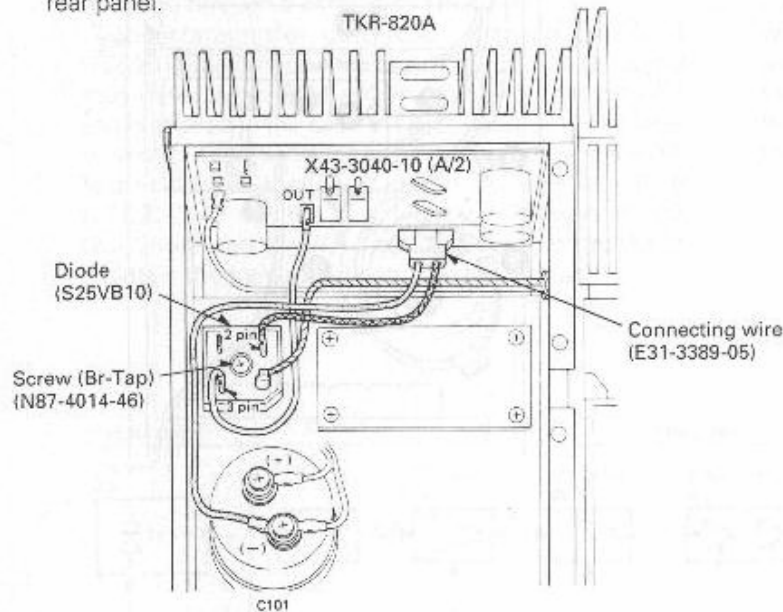


## DISASSEMBLY FOR REPAIR

### Disassembling the AVR Unit

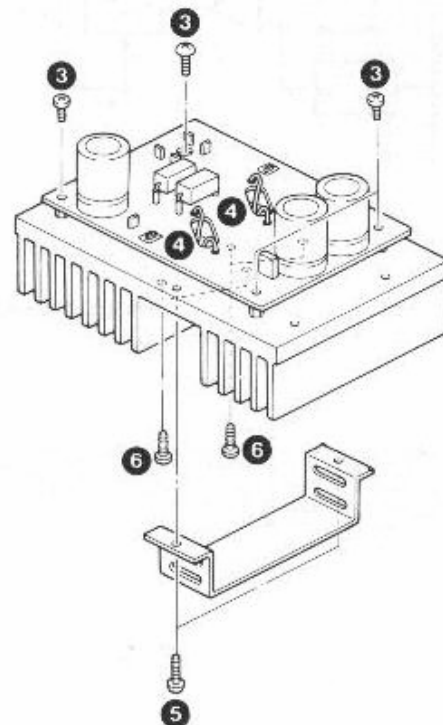
#### 1. How to remove the AVR unit (X43-3040-10) (A/2)

1. Remove the 8 connectors (1) connected to the AVR unit.
2. Remove the 4 screws (2) holding the AVR unit to the rear panel, and remove the AVR unit from the rear panel.



#### 2. Disassembling the AVR unit (X43-3040-10) (A/2)

1. Remove the 4 screws (3) holding the AVR unit.
2. Desolder the 4 wires (4) connected to the bases and emitters of transistors Q5 and Q6.
3. Remove the 2 screws (5) on the radiation cover attached to the heat sink to remove the radiation cover.
4. Remove the 4 screws (6) of the transistors (Q5 and Q6) attached to the heat sink, and remove the AVR unit (A/2).

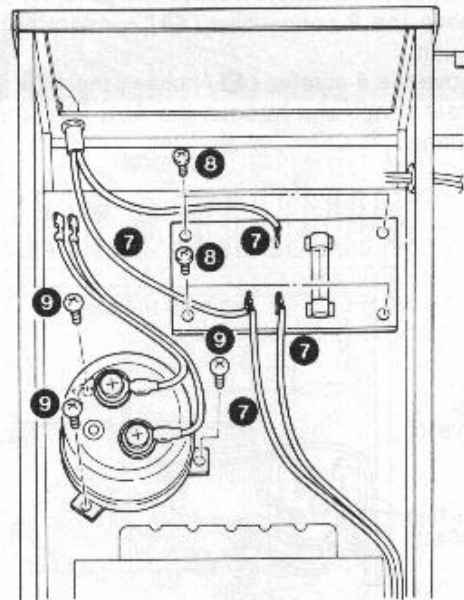


# TKR-820/N/A

## DISASSEMBLY FOR REPAIR

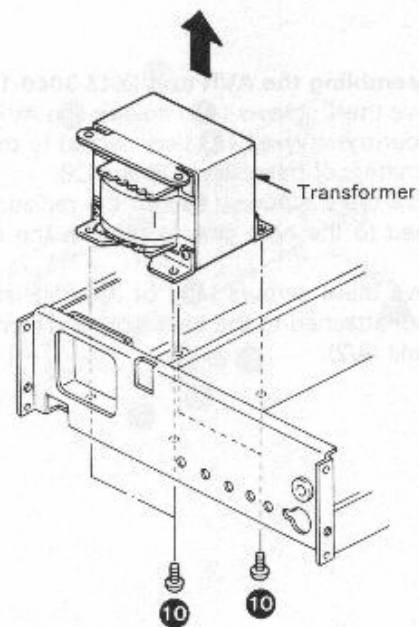
### 3. How to remove the AVR unit (X43-3040-10) (B/2) and the electrolytic capacitor (C101)

1. Remove the 4 wires (7) holding to the AVR unit.
2. Remove the 4 screws (8) holding the AVR unit to remove the AVR unit.
3. Remove the 3 screws (9) holding the electrolytic capacitor (C101).



### 4. How to remove the power transformer

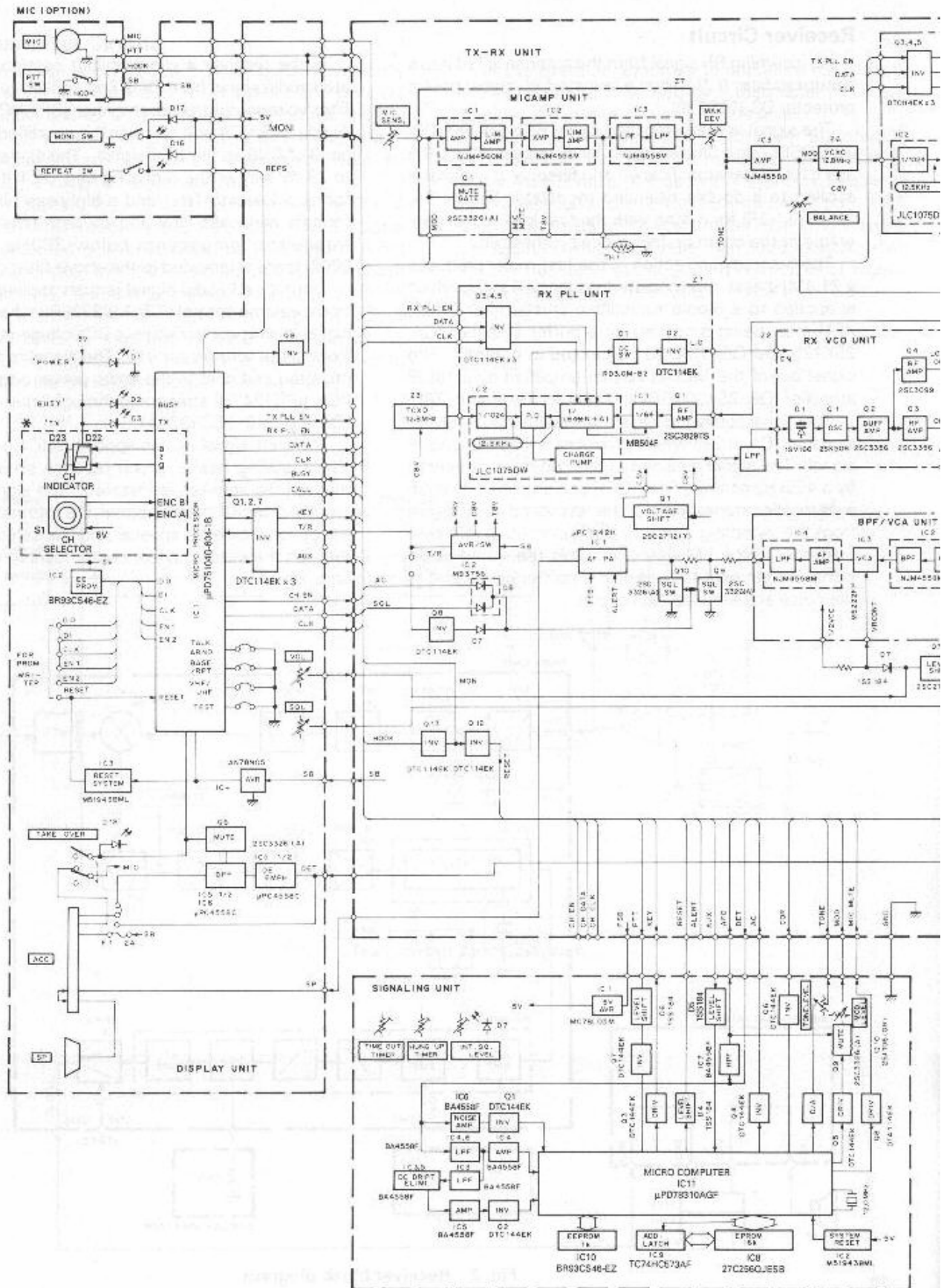
1. Remove the 4 screws (10) holding the power transformer to the bottom plate, and remove the power transformer.





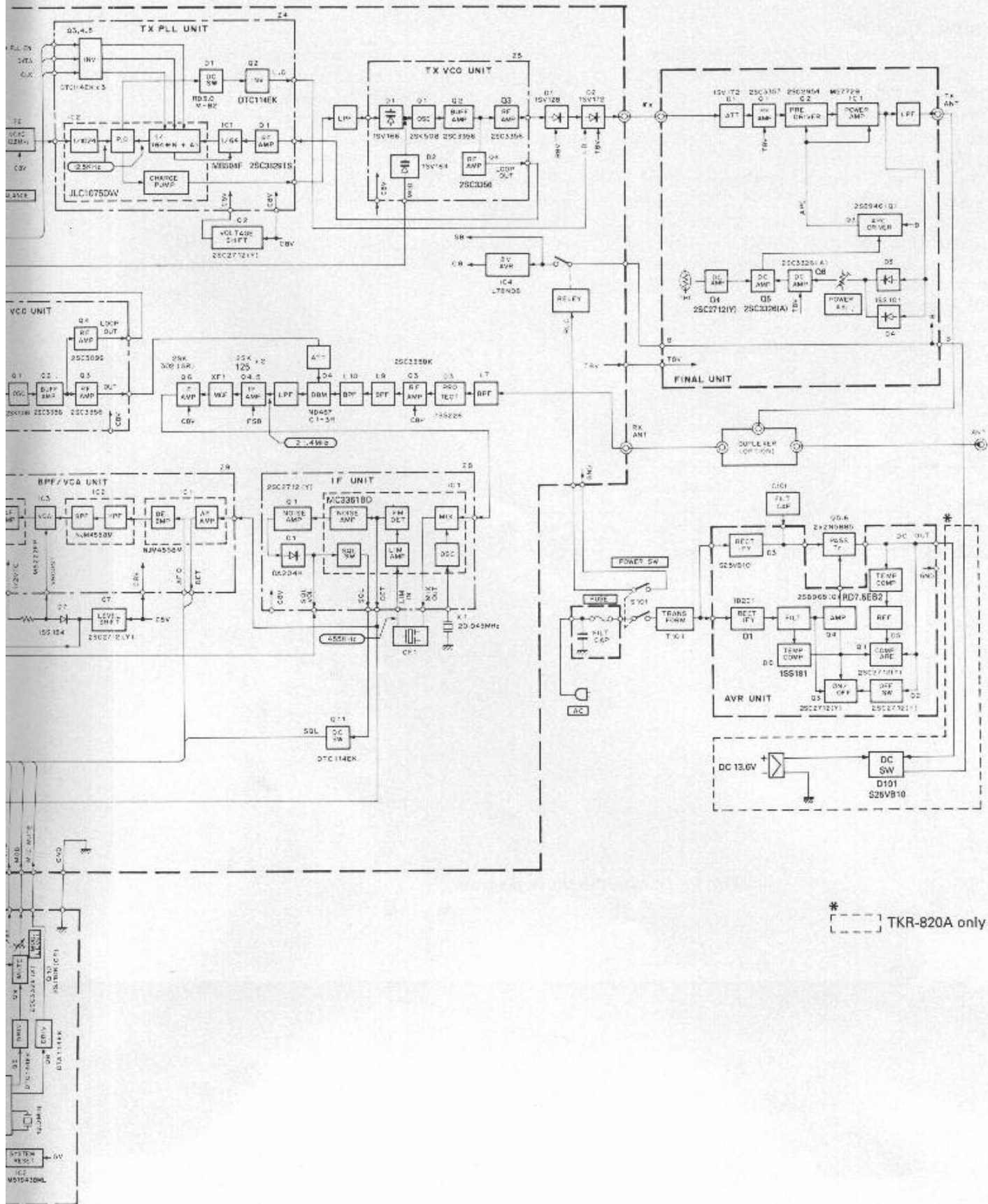
# TKR-820/N/A

## BLOCK D



# N/A TKR-820/N/A

## BLOCK DIAGRAM



## CIRCUIT DESCRIPTION

## Transmitter Circuit

The signal generated at the transmitter frequency synthesizer is amplified by RF amplifier transistors Q1 (2SC3357) and Q2 (2SC2954) and amplifier module IC1 (M57729) to a level of 25W in the power amplifier unit. The signal is then routed to the antenna connector after going through a harmonics filter.

The transmitter output is detected by D3, 4 (1SS101) and is converted to a DC form. The DC signal thus detected is level adjusted by APC control (VR1) and is applied to the base of Q6 (2SC3326A). The base current of Q3 (2SB946Q) is varied according to the difference from the comparison voltage at Q5, 6 (2SC3326A) so that the collector voltages of Q2 (2SC2954) and the IC1 first stage are controlled to maintain the transmitter output level constant.

In the event an abnormal temperature rise occurs, the temperature is sensed by a thermister (TH1) and reduces the output power to a safe level.

The harmonics filter is of a fifth order Butterworth type lowpass filter having a minimum attenuation of more than 55dB at the second harmonics frequency with a passband insertion loss of less than 0.5dB. With a characteristics of the transmitter final power amplifier module, which has more than 30dB of attenuation for the frequency at the second harmonics or higher, total attenuation of harmonics is more than 70dB.

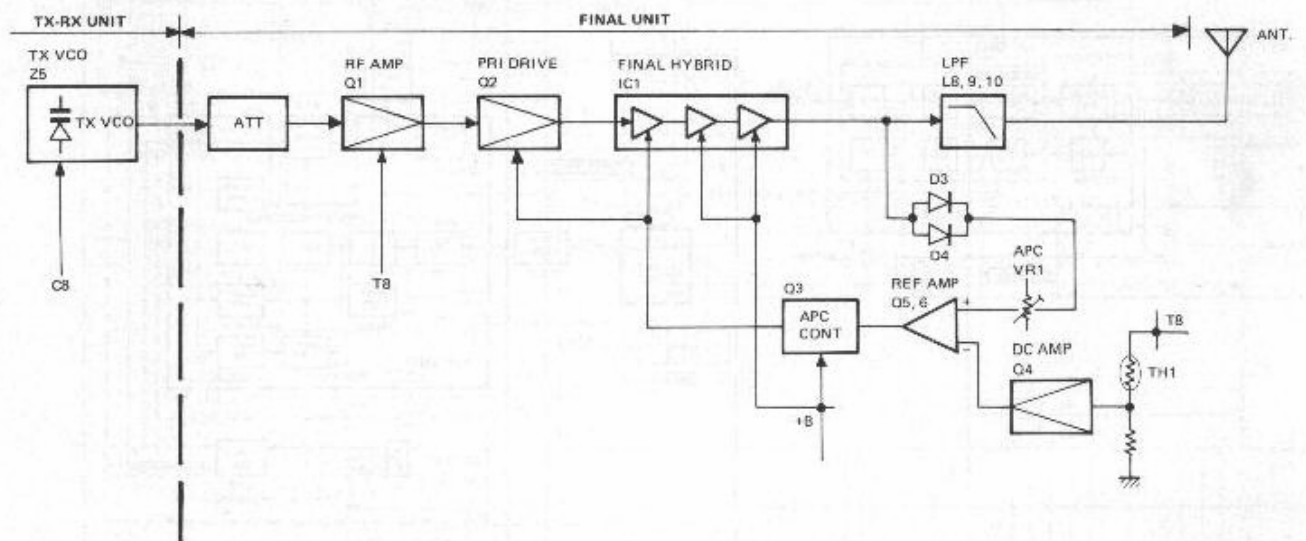


Fig. 1 Transmitter block diagram

### Receiver Circuit

An incoming RF signal from the antenna is fed into a bandpass filter (L7). Then eliminated RF signal pass a protector D3 (1SS226).

The signal is then amplified by an RF amplifier (Q3, 2SC3358K) and filtered again by bandpass filters (L9 and L10). After amplification and filtering, the signal is applied to a double balanced modulator (DBM, D4, ND487C1-3R) for mixing with the first local signal generated at the common frequency synthesizer.

The heterodyning action of the first mixer produces a 21.4MHz first intermediate frequency (1st IF), which is applied to a 6-pole monolithic crystal filter (MCF, XF1) after being amplified by a buffer amplifier (Q4, 2SK125 and Q5, 2SK125 connected in parallel). The signal out of the MCF is further amplified by a 1st IF amplifier (Q6, 2SK302GR) and sent to the IF unit (Z8).

The signal applied to Z8 is mixed with a 20.945MHz signal at IC1 in Z8, which produces a 455kHz 2nd IF signal. The signal obtained at the 2nd mixer is filtered by a 455kHz ceramic filter (CF1) and amplified by limiting amplifier stages in IC1. The recovered audio signal from the incoming signal is also obtained at IC1 by a quadrature type FM detector. This recovered audio signal is then sent to the audio amplifier circuit and to the noise actuated squelch circuit.

In the receiver audio amplifier section, the recovered audio signal from Z8 is first applied to a bandpass filter/voltage controlled amplifier (BPF/VCA, Z9) unit. At this BPF/VCA unit, the signal is amplified and sent to pin 9 of CN6 as the DET signal. The signal is returned to Z9 by way of the Signaling unit. IC1 (NJM4558M) forms a lowpass filter and a highpass filter, and IC2 forms a bandpass filter and lowpass filter in Z9. The frequency components below 300Hz and above 3000Hz are attenuated in the above filter circuits.

The filtered audio signal is then applied to an electronic volume control (IC3, M5222FP), where the audio signal level is controlled by a DC voltage sent from the front panel volume control. The signal is then de-emphasized and sent to the audio power amplifier circuit (IC1,  $\mu$ PC1242H) after going through squelch switches (Q9 and Q10, 2SC3326A).

The alert signal is also applied to IC1, when a specific signaling board, which requires an audible alert through the speaker, is installed. The signal, which is amplified by IC1, drives either the internal speaker or the optional external speaker and this selection is done through the accessory connector located on the Final unit.

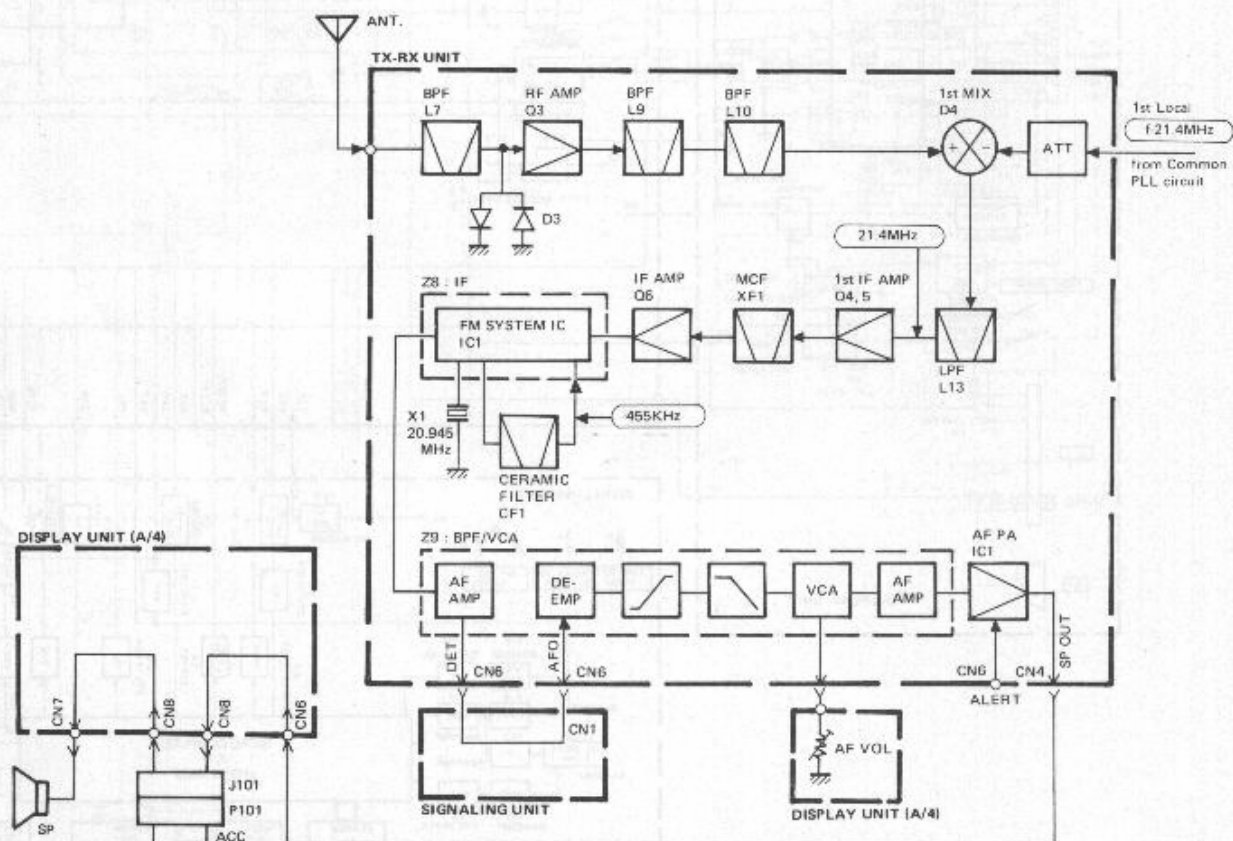


Fig. 2 Receiver block diagram

## CIRCUIT DESCRIPTION

### Squelch Circuit

The high frequency component of the recovered audio signal is fed to a noise amplifier within IC1 (MC3361BD) of Z8 and it is further amplified by an external noise amplifier (Q1, 2SC2712Y). The signal is then detected by a noise detector (D1, DA204K) and applied to the squelch switch in IC1. This detected noise is also routed to the squelch control (VR1) through the Display unit (C/4) for adjusting the noise squelch sensitivity.

The busy information is sent from the above IC1 ( $\mu$ PD75104G) in the Display unit in serial format to turn on or off the busy LED. The squelch switch output and the audio control (AC) signal from the signaling board are combined at D8 (1SS184) and applied to squelch

switch transistors Q9 (2SC3326A) and Q10 (2SC3326A) along with the inverted signal of transmit/receive control signal. The squelch switch controls the input signal to the audio amplifier to mute or unmute the receive audio.

While the busy LED is being controlled only by the noise squelch circuit, the actual audio signal is controlled by the following signals and in order to unmute the audio, each signal must be in the condition as specified.

SQL signal = Low

R8 line = High

T/R signal = High

AC signal = Low

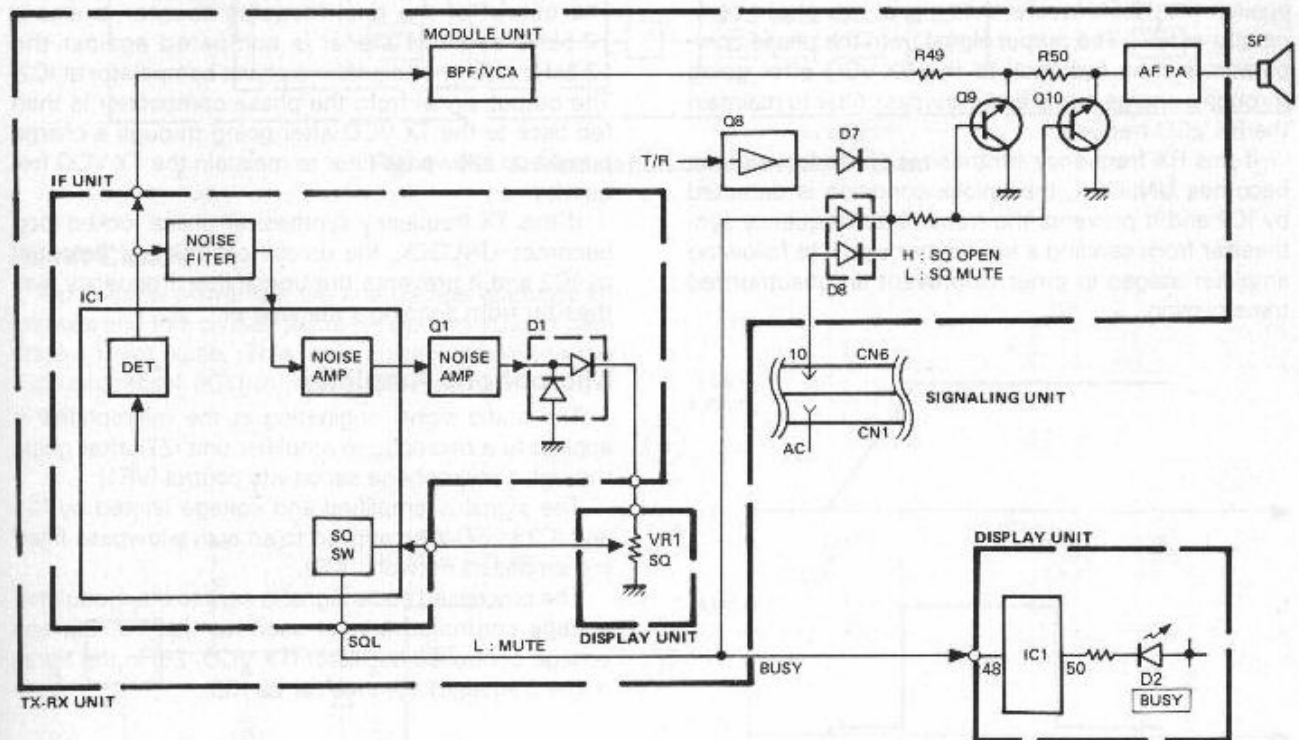


Fig. 3 Squelch circuit

## CIRCUIT DESCRIPTION

**RX Frequency Synthesizer**

The RX frequency synthesizer consists of three major circuits. They are the temperature compensated crystal oscillator (TCXO, Z3), RX voltage controlled oscillator (RX VCO, Z2) and RX phase locked loop unit (RX PLL, Z1).

The TCXO is operating at 12.8MHz and its frequency stability is maintained within  $\pm 2.5$ ppm from  $-30^{\circ}\text{C}$  to  $+60^{\circ}\text{C}$ . This output signal is fed to the frequency synthesizer IC (IC2, JLC1075DW) in Z1. At IC2, this signal is divided by 1024 to become a 12.5kHz reference signal.

The output from the RX VCO operates at the frequency of the receiver first local signal and a portion of the signal is fed to a dual modulus counter formed by IC1 (MB504F) and IC2 in Z1. IC1 divides the incoming signal by 1/64 or 1/65 depending on the control line status sent from IC2. The output of the dual modulus counter is also a 12.5kHz and this signal is compared against the 12.5kHz reference signal in a phase comparator at IC2. The output signal from the phase comparator is then fed back to the RX VCO after going through a charge pump and a lowpass filter to maintain the RX VCO frequency.

If this RX frequency synthesizer phase locked loop becomes UNLOCK, the unlock condition is detected by IC2 and it prevents the transmitter frequency synthesizer from sending a transmitter signal to following amplifier stages in order to prevent an unauthorized transmission.

**TX Frequency Synthesizer**

The TX frequency synthesizer consists of three major circuits. They are the modulator/voltage controlled crystal oscillator (VCXO, Z6), TX voltage controlled oscillator (TX VCO, Z5) and TX phase locked loop unit (TX PLL, Z4).

The audio signal from the microphone amplifier and the Signaling unit is applied to the TX VCO (Z5) and the VCXO (Z6) operating at 12.8MHz to obtain an FM modulated signal. And its frequency stability is maintained within  $\pm 2.5$ ppm from  $-30^{\circ}\text{C}$  to  $+60^{\circ}\text{C}$ . This output signal is fed to the frequency synthesizer IC (IC2, JLC1075DW) in Z4. At IC2, this signal is divided by 1024 to become a 12.5kHz reference signal.

The output from the TX VCO operates at the frequency of the transmit signal and a portion of the signal is fed to a dual modulus counter formed by IC1 and IC2 in Z4. IC1 divides the incoming signal by 1/64 and 1/65 depending on the control line status sent from IC2. The output of the dual modulus counter is also a 12.5kHz and this signal is compared against the 12.5kHz reference signal in a phase comparator at IC2. The output signal from the phase comparator is then fed back to the TX VCO after going through a charge pump and a lowpass filter to maintain the TX VCO frequency.

If this TX frequency synthesizer phase locked loop becomes UNLOCK, the unlock condition is detected by IC2 and it prevents the transmitter frequency synthesizer from sending a transmitter.

**Microphone Amplifier**

The audio signal originating at the microphone is applied to a microphone amplifier unit (Z7) after going through a microphone sensitivity control (VR1).

The signal is amplified and voltage limited by IC1 and IC2 in Z7, then applied to an active lowpass filter/pre-emphasis network (IC3).

The processed audio signal is sent to the modulator/voltage controlled crystal oscillator (VCXO, Z6) and voltage controlled oscillator (TX VCO, Z5) in the transmitter frequency synthesizer via IC3.

## CIRCUIT DESCRIPTION

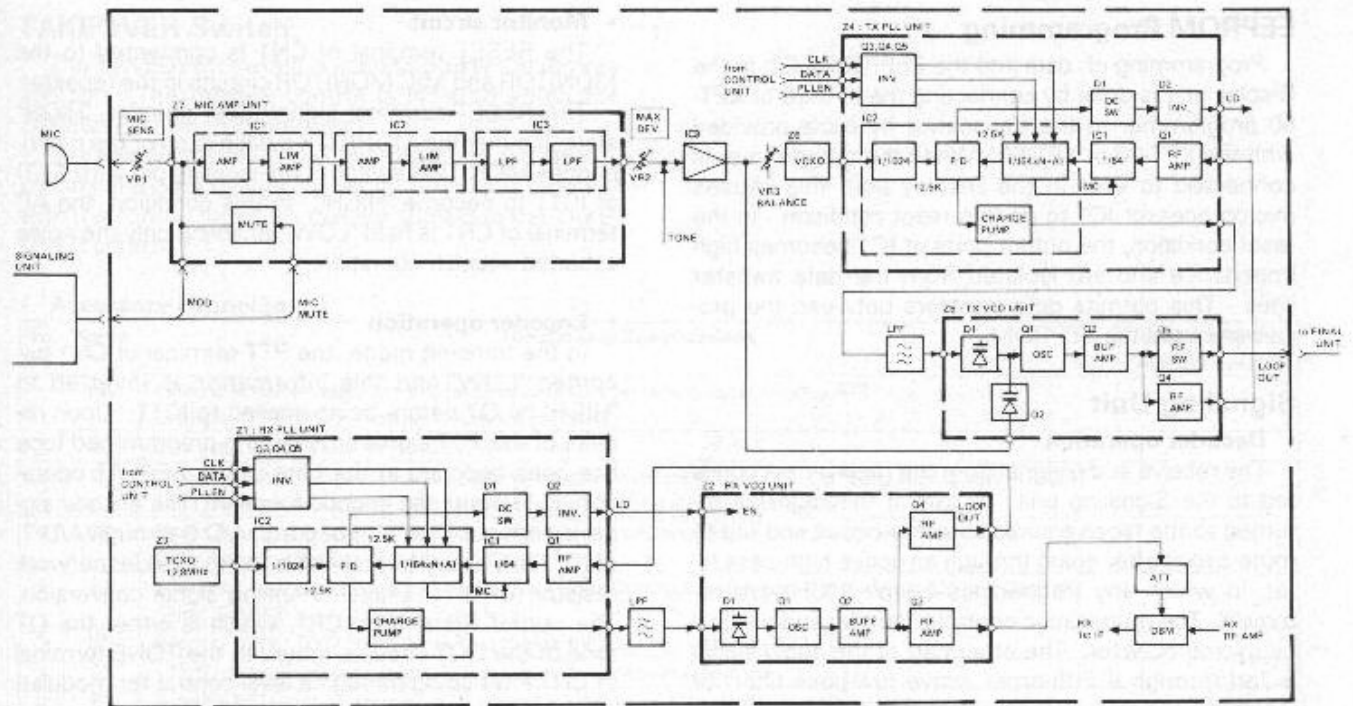


Fig. 4 PLL & Modulation circuit block diagram

### Reset Circuit

Upon initial power up, the line voltage gradually increases and this causes the reset system (IC3) to generate a reset pulse. This reset pulse is applied to the microprocessor (IC1) to insure the initialization of the circuit.

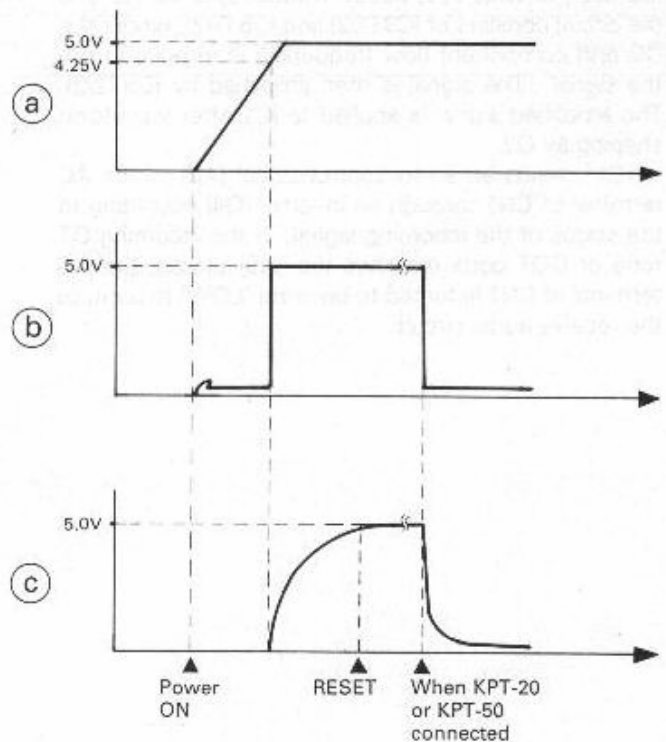
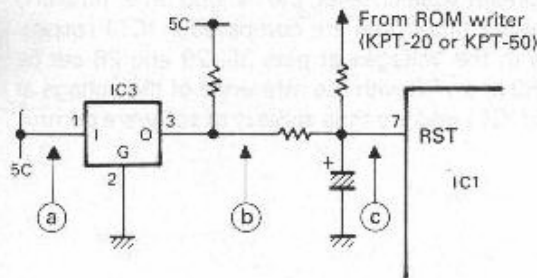


Fig. 5 Reset circuit block diagram

## CIRCUIT DESCRIPTION

**EEPROM Programming**

Programming of data into the EEPROM (IC2) in the Display unit is done by connecting the KPT-20 or KPT-50 programmer to the transceiver by cable provided with the KPT-20 or KPT-50. When the programmer is connected to CN1 in the Display unit, this causes microprocessor IC1 to go into reset condition. In the reset condition, the output ports of IC1 becomes high impedance and are isolated from the data transfer lines. This permits data transfers between the programmer and the EEPROM.

**Signaling Unit****• Decoder operation**

The receive audio signal from the receiver section is fed to the Signaling unit. A part of this signal is returned to the receive audio amplifier circuit and fed to mute circuit after going through an active high-pass filter, in which any frequencies below 300Hz are removed. The mute circuit control a transfer audio signal by microprocessor. The other part of the audio signal is fed through a fifth-order active low-pass filter, of which the cut-off frequency is set at 220Hz, to discriminate the QT and DQT signals from other audio signals.

The QT tone obtained from the above filtered audio signal is applied to the microprocessor (IC11) as an analog signal for tone detection after being amplified by IC4 (2/2).

The DQT code is passed through a low-pass filter IC3 (2/2), of which the cut-off frequency is 140Hz, and the circuit consists of IC3 (1/2) and IC5 (1/2), where the DC drift component (low frequency) is removed from the signal. The signal is then amplified by IC5 (2/2). The amplified signal is applied to IC1 after waveform shaping by Q2.

IC11 sends an audio control signal (AC) to the AC terminal of CN1 through an inverter (Q4) according to the status of the incoming signal. If the incoming QT tone or DQT code matches the data stored, the AC terminal of CN1 is forced to become "LOW" to unmute the receive audio circuit.

**• Monitor circuit**

The RESET terminal of CN1 is connected to the MONITOR and MIC MONITOR circuits in the repeater.

The RESET terminal signal level goes to "HIGH" state, if either the MONITOR switch is on or the microphones MONITOR switch is on, causing pin 4 (RESET) of IC11 to become "HIGH". In this condition, the AC terminal of CN1 is held "LOW", enabling only the noise actuated squelch operation.

**• Encoder operation**

In the transmit mode, the PTT terminal of CN1 becomes "LOW" and this information is inverted to "HIGH" by Q7 before being applied to IC11. Upon receipt of this PTT signal or when the programmed tone has been decoded at the time of the REPEAT operation, IC11 starts the encode function. The encode signal is sent out from output ports, A/D 0 through A/D 7, of IC11 in a binary format and is fed to a ladder network resistor (CP1) for Digital-to-Analog signal conversion. The output signal from CP1, which is either the QT tone or the DQT code, is routed to the TONE terminal of CN1 after going through a level control for modulating the transmit signal.

**• Local/Repeater operation**

When the REPEAT switch on the front panel of the main body is set to ON, the repeater operation is engaged, while when this switch is set to OFF, the full-duplex transceiver operation is engaged.

**• Preset squelch operation**

The squelch circuit for the repeater operation which is independent from the main body consists of noise conditioner IC6 (1/2), waveform shaper Q1, microprocessor IC11 and squelch sensitivity adjuster VR1.

The preset squelch level, the hangup timer time and the time-out timer time are compared in IC11 respectively with the voltages at pins 30, 29 and 28 set by VR1, VR2 and VR3 with the reference of the voltage at pin 31 of IC11 and are thus subject to software control.



## CIRCUIT DESCRIPTION

**TAKEOVER Switch**

The TAKEOVER switch is used to isolate the remote control. (The remote control is isolated when the TAKEOVER switch is pressed.)

The following table shows the functions and specifications of the accessory connector terminals, together with the control terminals that are subject to the TAKEOVER control.

## • Accessory connector

No.	Name	Functions & Specifications	Terminal subject to TAKEOVER control
1	HK	External hook terminal / Set this terminal to GND level before using external PTT. Unlike MIC HOOK, no monitor function is provided.	○
2	LG	Line input GND / Used for No. 5 (LI).	
3	DI	Direct modulation input terminal / External input terminal for QT and DQT : $\pm 750\text{Hz DEV}$ at approx. $600\Omega$ input impedance, $0.2\text{V}_p\text{-p}$ . Degree of modulation is to be adjusted externally.	
4	DE	Direct detection output / Direct output of detected (unfiltered) signal : Output impedance $10\text{k}\Omega$ . Output level : $-10\text{dBs}$ at $\pm 3\text{kHz DEV}$ , $1\text{kHz}$ .	
5	LI	Line input / input terminal for external modulation. Standard modulation is provided at $600\Omega$ , $0.24\text{dBm}$ . Same as MIKE level except for input level.	○
6	SG	Speaker output GND / GND for output to external speaker. Used for No.12 (SO).	
7	SB	+13.6V external power output / Power supply for external equipment. Up to 1A.	
8	PT	External PTT input / Transmission is started at GND level if No. 1 (HK) is at GND level.	○
9	SI	Internal speaker input / Usually connected to No. 12 (SO) via jumper wire.	
10	DE	Line output / Used for output of received signal, for standard modulation at $600\Omega$ , $-10\text{dBm}$ , $-6\text{dB/oct}$ , $300\text{Hz}$ to $3\text{kHz}$ . Interlocked with No.13 (CO).	○
11	GN	DC GND / GND for DC power supply.	
12	SO	Speaker output / Output terminal for external speaker.	
13	CO	Internal preset squelch output / Provides an output interlocked with internal preset squelch, or a tone squelch output when writing tone. When receiving signal, this output is at low level (open collector) with $10\text{mA}$ sink current.	
14	NC	Unused.	
15	NC	Unused.	

# TKR-820/N/A

## CIRCUIT DESCRIPTION

### AVR Circuit

This power supply uses a tapped secondary transformer to maintain low voltage between the pass transistor collectors and emitters (Q5 and Q6) for excellent efficiency. Control and operating voltages are rectified and supplied independently for good ripple characteristics.

Temperature compensation for the regulator Zener diode D5 and error amplifier transistor Q4 is provided by silicon diodes D4 and D6.

At initial POWER-ON Q3 is ON to turn-down Q4 base voltage. This prevents a surge voltage from being output when no load is connected. As C5 charges, Q2 turns ON to shut Q3 OFF. Q4 is thereafter fully ON.

If the load is shorted, comparator Q1 is turned OFF and current proportional only to that in the initial turn-on circuit is output. When the output is shorted, the output current drops to 1A. This circuit protects the pass transistors, transformer and full wave bridge rectifies from thermal damage.

Changing between AC and DC is done with the DC switch (D101) for the TKR-820A only. The output from the AVR unit and the DC input from the external power input terminals are changed automatically.

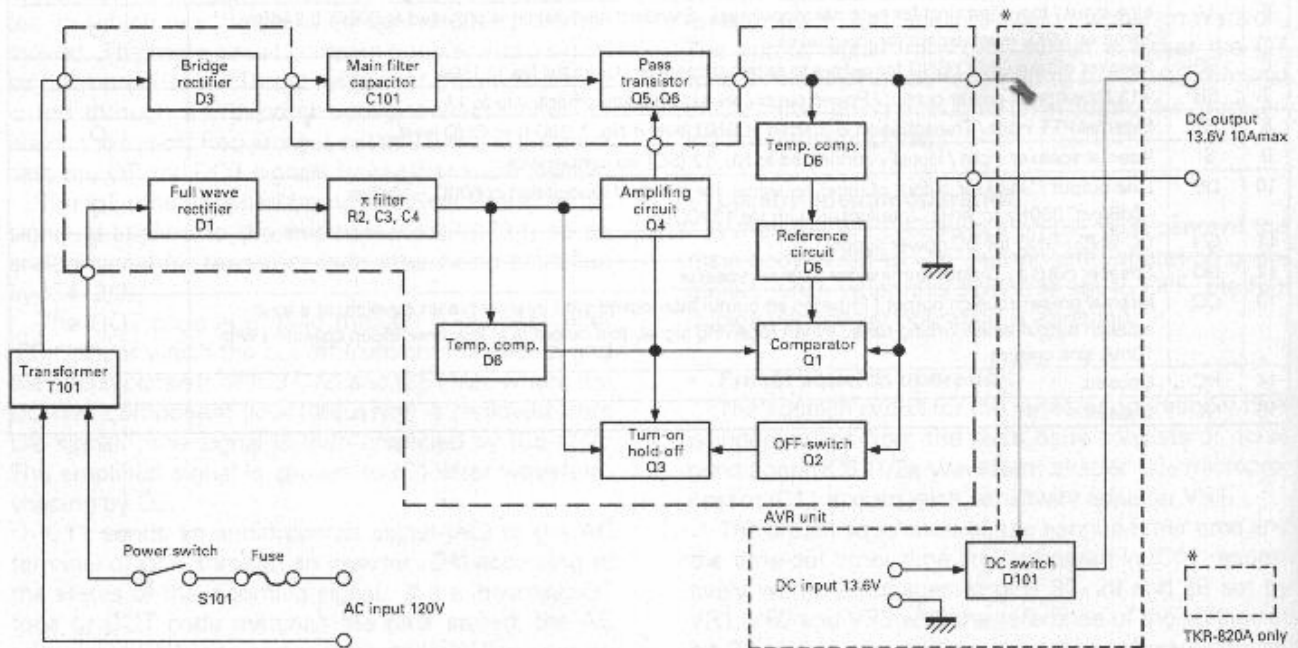
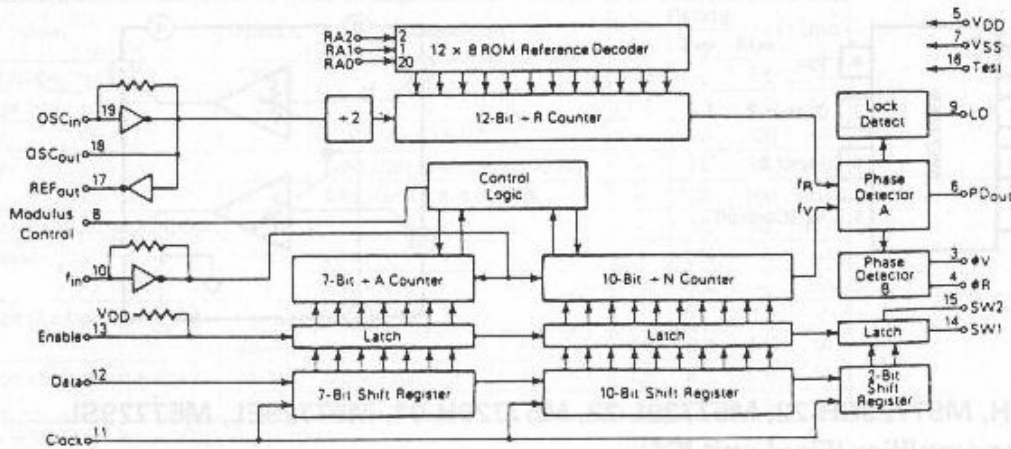


Fig. 6 AVR circuit block diagram

## SEMICONDUCTOR DATA

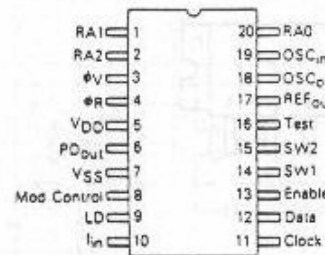
### JLC1075DW : PLL system (TX PLL, RX PLL IC2)

• Block diagram



Reference Address Code			Total Divide Value
RA2	RA1	RA0	
0	0	0	8
0	0	1	64
0	1	0	128
0	1	1	256
1	0	0	1160
1	0	1	2560
1	1	0	1024
1	1	1	2048

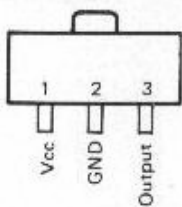
• Terminal connection diagram



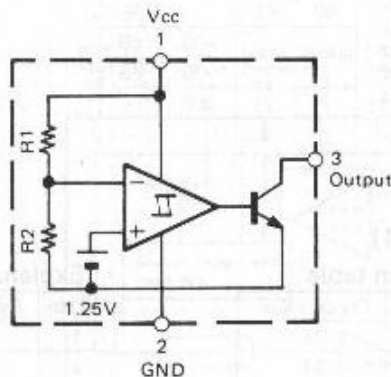
(Top view)

### M51943BML : Reset system (Signaling unit IC2), Precision reference (Display unit IC3)

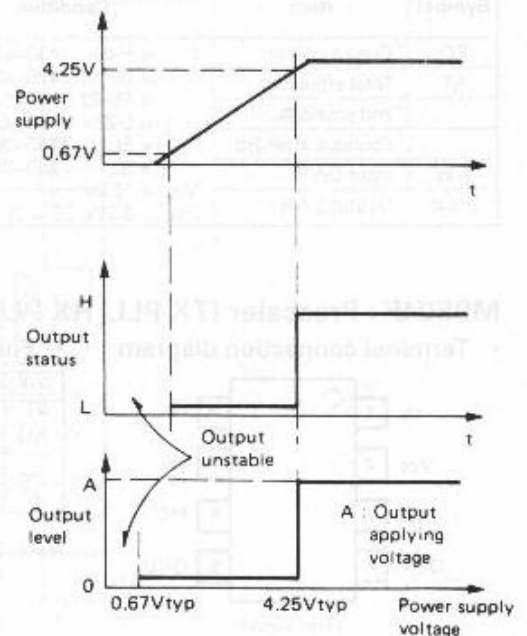
• Terminal connection diagram



• Block diagram



• Timing chart

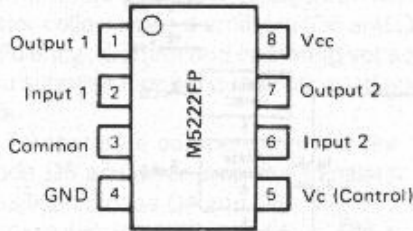


# TKR-820/N/A

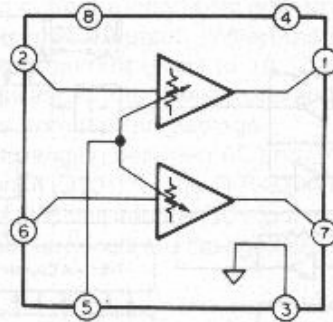
## SEMICONDUCTOR DATA

### M5222FP : Electronic attenuator (BPF/VCA IC3)

• Terminal connection diagram

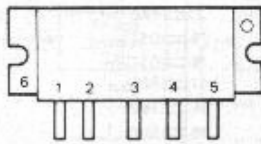


• Equivalent circuit

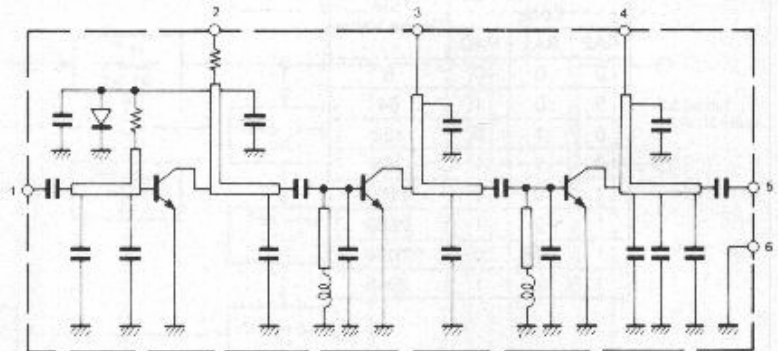


### M57729UH, M57729SH-22, M57729L-22, M57729H-01, M57729EL, M57729SL : TX power amplifier (Final unit IC1)

• Terminal connection diagram



• Block diagram



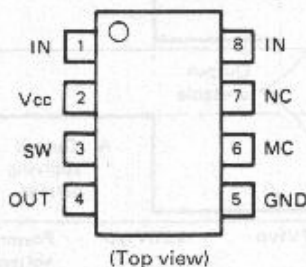
• Electrical characteristics

Symbol	Item	Condition	Rating			Unit
			Min.	Typ.	Max.	
PO	Output power	f = H-01 : 430~450MHz = UH : 470~490MHz	30	33		W
$\eta T$	Total efficiency	= SH-22 : 490~520MHz = L-22 : 400~430MHz	40	45		%
	2nd spurious	= EL : 340~360MHz = SL : 360~380MHz			-30	dB
	Spurious after 3rd.				-30	dB
$\rho$ in	Input SWR	$V_{cc} = 12.5V$ $P_{in} = 0.3W, Z_G = Z_L = 50\Omega$			2.8	-
$\rho$ out	Output SWR			2		-

- 1: Input
- 2: Pre-drive + B
- 3: Bias + B
- 4: Final + B
- 5: Output
- 6: GND

### MB504F : Prescaler (TX PLL, RX PLL IC1)

• Terminal connection diagram



• Function table

SW	MC	Divide value
H	H	32
H	L	33
L	H	64
L	L	65

**Note** : SW terminal  
H : Vcc, L : Open  
MC terminal  
H : 2.0V~Vcc, L : GND~0.8V

• Explanation of terminal functions

Pin No.	Symbol	Function
1	IN	Input.
2	Vcc	Power supply.
3	SW	Dividing ratio select pin.
4	OUT	Output.
5	GND	Ground.
6	MC	Module set pin.
7	NC	Non connection.
8	IN	Compensated input.

## SEMICONDUCTOR DATA

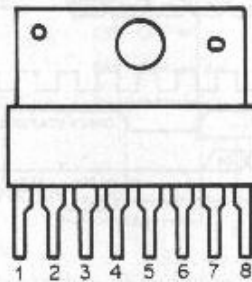
### MB3756 : Voltage regulator (TX-RX unit IC2)

• Electrical characteristics

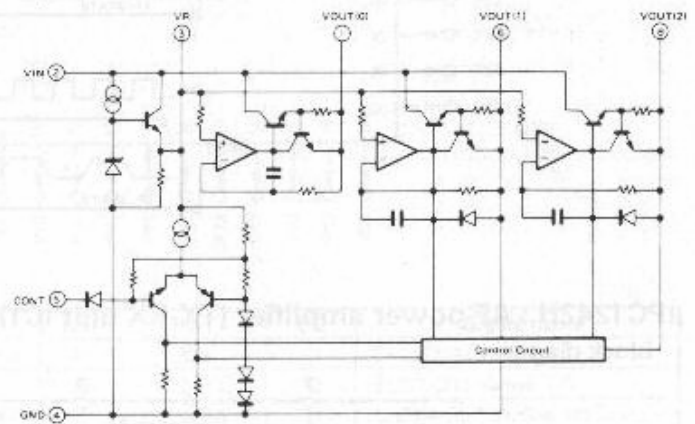
Item	Symbol	Condition	Rating			Unit
			Min.	Typ.	Max.	
Input voltage range	$V_{IN}$		10.6	-	18	V
Output voltage	$V_O$		7.8	8.2	8.6	V
Input stability		$11V \leq V_{IN} \leq 18V$	-	20	100	mV
Load stability		$(V_{O1}, V_{O2}) 1mA \leq I_L \leq 100mA$	-	15	80	mV
		$(V_{O2}) 1mA \leq I_L \leq 200mA$	-	20	100	mV
Voltage difference between outputs	$\Delta V_O$		-	10	50	mV
Peak output load	Isc	$(V_{O1}, V_{O2})$	-	200	-	mA
			-	350	-	mA
Output voltage short-circuit current (Active 'L')	$V_{O1} (L)$	$V_{IC} = 0.8V$	0	-	0.2	V
	$V_{O2} (L)$	$V_{IC} = 0.8V$	7.8	8.2	8.6	V
Output voltage short-circuit current (Active 'H')	$V_{O1} (H)$	$V_{IC} = 2.0V$	7.8	8.2	8.6	V
	$V_{O2} (H)$	$V_{IC} = 2.0V$	0	-	0.2	V

(T<sub>J</sub>) = 25°C, V<sub>IN</sub> = 14, R<sub>L0</sub> = R<sub>L1</sub> = 200Ω, R<sub>L2</sub> = 100Ω

• Terminal connection diagram

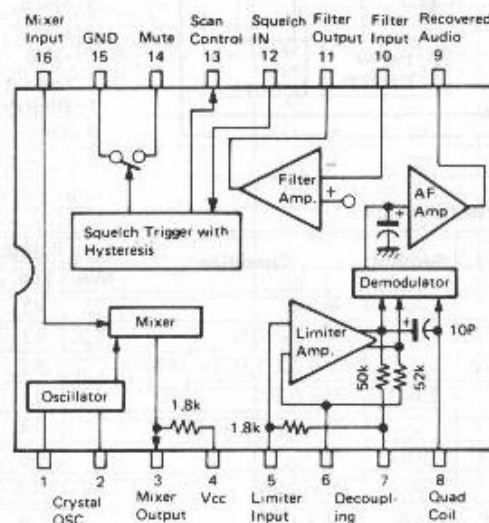


• Equivalent circuit



### MC3361BD : IF system (IF IC1)

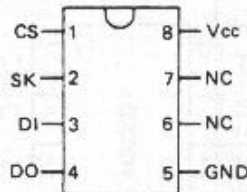
• Block diagram



## SEMICONDUCTOR DATA

### BR93CS46-EZ : EEPROM (Signaling unit IC10, Display unit IC2)

#### • Terminal connection diagram



(Top view)

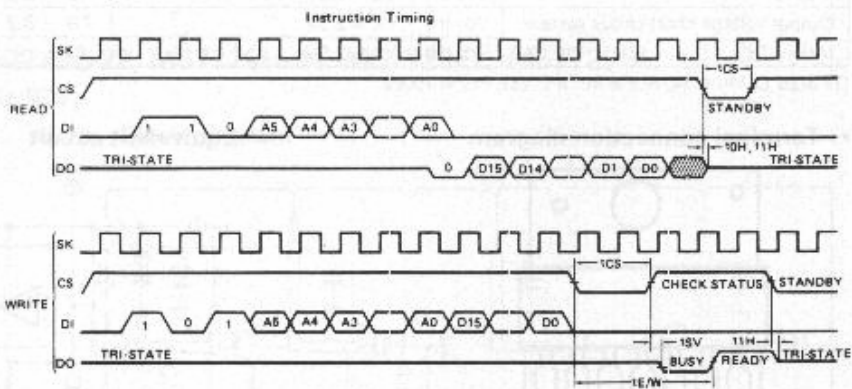
- CS : Chip Select
- SK : Serial Data Clock
- DI : Serial Data Input
- DO : Serial Data Output
- Vcc : Power Supply
- GND : Ground
- NC : Not Connected

#### • Instruction set for BR93CS46-EZ

Instruction	SB	Op code	Address	Data	Comments
READ	1	10	A5A4A3A2A1A0		Read Register A5A4A3A2A1A0
WRITE	1	01	A5A4A3A2A1A0	D15~D0	Write Register A5A4A3A2A1A0
ERASE	1	11	A5A4A3A2A1A0		Erase Register A5A4A3A2A1A0
EWEN	1	00	11XXXX		Erase/Write Enable
EWDS	1	00	00XXXX		Erase/Write Disable
ERAL	1	00	10XXXX		Erase All Registers

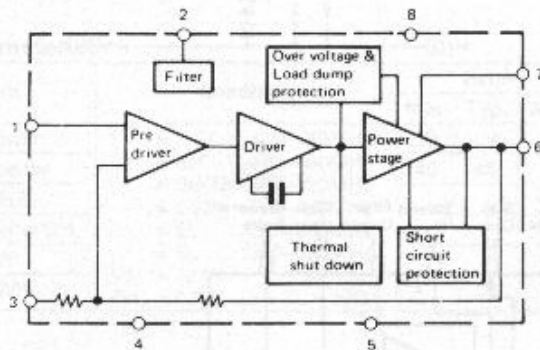
BR93CS46-EZ has 6 instructions as shown. Note that the MSB of any given instruction is a "1" and is viewed as a start bit in the interface sequence. The next 8 bits carry the op code and the 6-bit address for 1 of 64, 16-bit registers.

#### • Timing chart (Continued)



### μPC1242H : AF power amplifier (TX-RX unit IC1)

#### • Block diagram



- 1 : Input
- 2 : Ripple filter
- 3 : N.F.B.
- 4 : GND
- 5 : GND
- 6 : Output
- 7 : Bootstrap
- 8 : Vcc

#### • Electrical characteristics

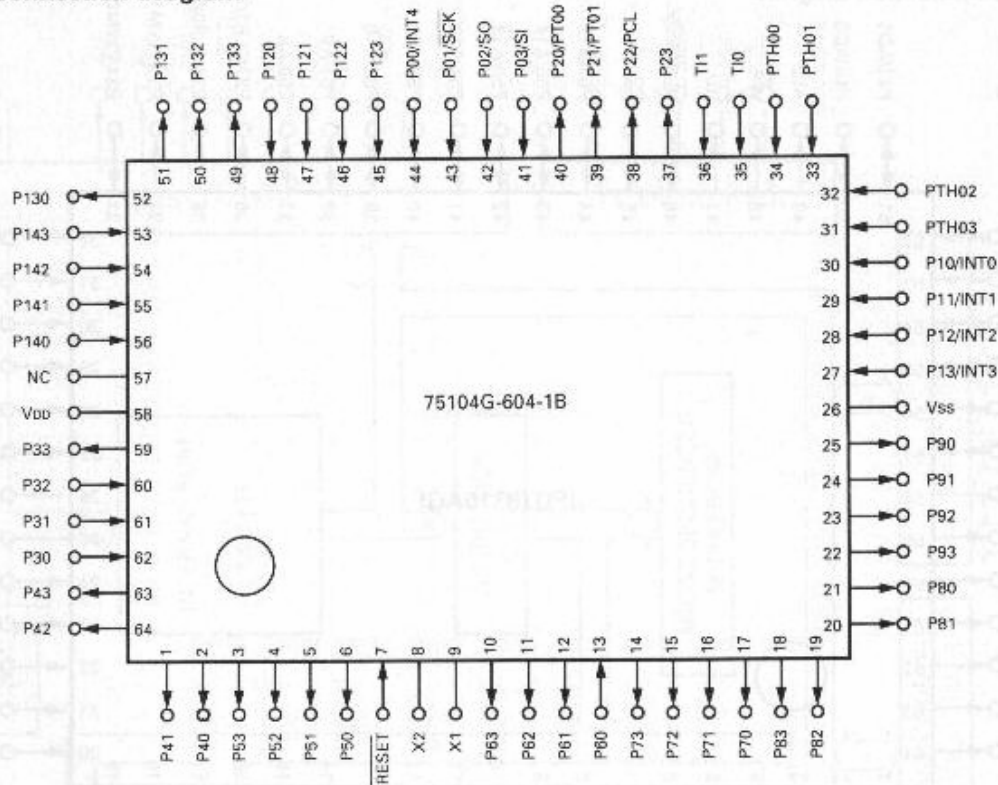
Item	Symbol	Condition	Rating			Unit
			Min.	Typ.	Max.	
DC current	I <sub>CC</sub>	V <sub>in</sub> = 0	25	45	80	mA
Output power	P <sub>O</sub>	T.H.D = 10%	5.0	5.8		W
		R <sub>L</sub> = 2Ω, T.H.D = 10%		9.2		W
Distortion	T.H.D.	P <sub>O</sub> = 0.5W		0.1	1.0	%
		R <sub>L</sub> = 2Ω, P <sub>O</sub> = 1W		0.4		%
Max. output power	P <sub>OM</sub>			9.5		W
Voltage gain	A <sub>v</sub>	P <sub>O</sub> = 0.5W	49	51.5	54	dB
Noise output voltage	u <sub>n</sub>	R <sub>G</sub> = 10kΩ		1.4	4	mVrms

(T<sub>a</sub> = 25°C, V<sub>CC</sub> = 13.2V, f = 1kHz, R<sub>L</sub> = 4Ω)

## SEMICONDUCTOR DATA

### 75104G-604-1B : Microprocessor (Display unit IC1)

#### • Terminal connection diagram



#### • Explanation of terminal functions

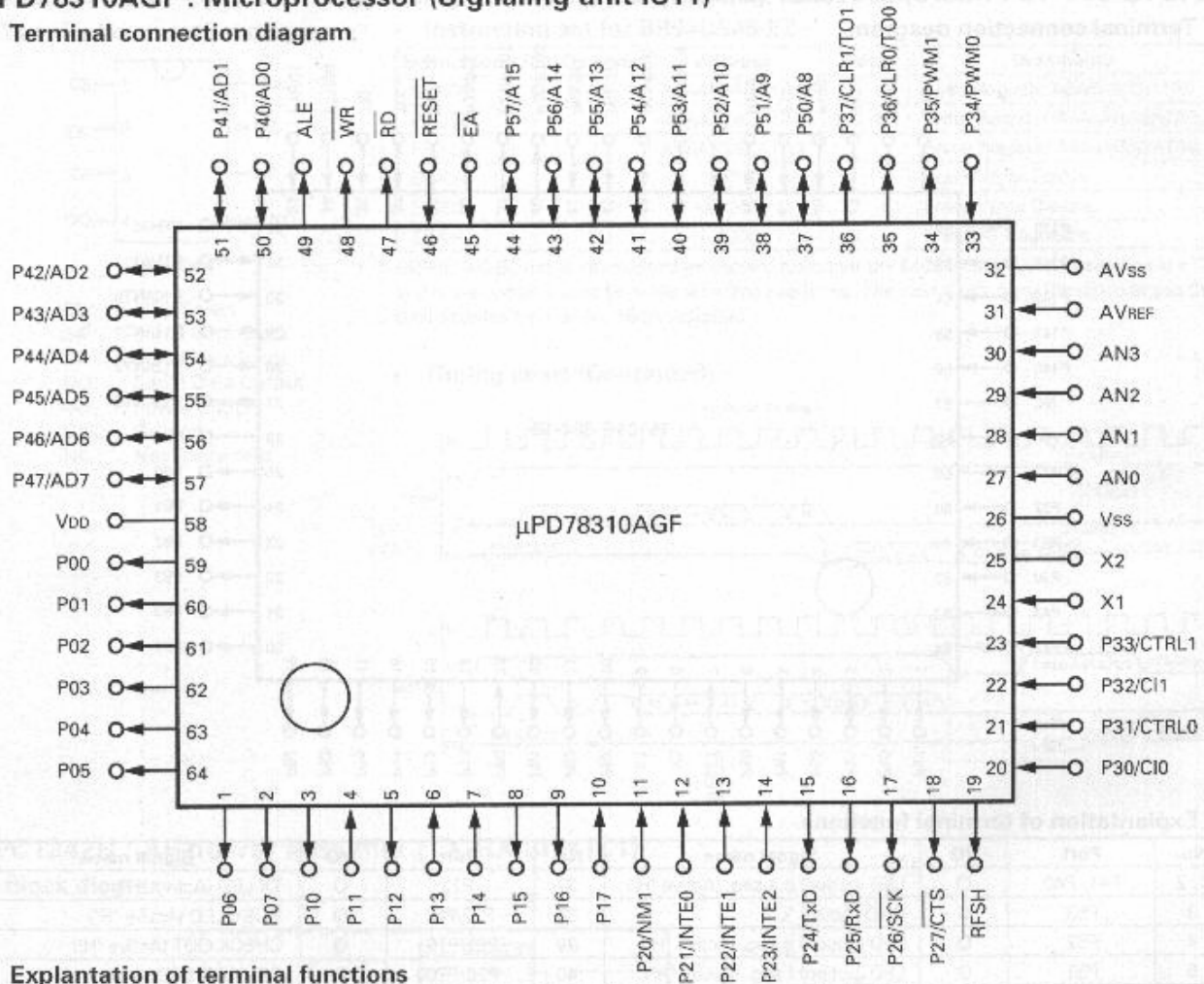
No.	Port	I/O	Signal name	No.	Port	I/O	Signal name
1, 2	P41, P40	O	LED (option) b,a seg. (Active 'H')	37	P23	O	TX LED (Active 'H')
3	P53	O	GND (Active 'L')	38	P22/PCL	O	BUSY LED (Active 'H')
4	P52	O	LED (option) g seg. (Active 'H')	39	P21/PT01	O	CHECK OUT (Active 'H')
5	P51	O	LED (option) f seg. (Active 'H')	40	P20/PT00	O	DEL/ADD LED (Active 'L')
6	P50	O	LED (option) e seg. (Active 'H')	41	P03/SI	I	PTT (Remote)
7	RESET	I	System reset input	42	P02/SO	I	MON (Remote)
8, 9	X2, X1	-	X'tal	43	P01/SCK	I	GND
10	P63	O	CS (EEPROM) (Active 'L')	44	P00/INT4	I	TAKEOVER SW
11	P62	O	CLK (EEPROM) (Active 'L')	45	P123	I	MON SW
12	P61	O	DI (EEPROM) (Active 'L')	46	P122	I	AUX SW
13	P60	I	DO (EEPROM)	47	P121	I	KEY
14	P73	O	CLK (Active 'L')	48	P120	I	BUSY
15	P72	O	DATA (Active 'L')	49	P133	O	TX PLL EN (Active 'H')
16	P71	O	PLL EN (Active 'H')	50	P132	O	T/R (Active 'L')
17	P70	O	CH EN (Active 'L')	51	P131	O	PTT (Active 'L')
18~21	P83~P80	O	LED d~a seg. (Active 'H')	52	P130	O	MON (Active 'L')
22	P93	O	GND (Active 'L')	53	P143	I	T.A/Not use
23	P92	O	LED g seg. (Active 'H')	54	P142	I	BASE/REP
24	P91	O	LED f seg. (Active 'H')	55	P141	I	VHF/UHF
25	P90	O	LED e seg. (Active 'H')	56	P140	I	Not use/Test
26	Vss	-	GND	57	NC (Vpp)	-	No conection
27	P13/INT3	I	GND	58	VDD	-	+5V
28	P12/INT2	I	GND	59	P33	O	AUX (Active 'L')
29	P11/INT1	I	ENC-B	60	P32	I	CALL
30	P10/INT0	I	ENC-A	61	P31	I	SER-OUT
31~34	PTH03~PTH00	I	F3~F0	62	P30	I	SER-IN
35, 36	T10, T11	I	GND	63, 64	P43, P42	O	LED (option) d,c seg. (Active 'H')

# TKR-820/N/A

## SEMICONDUCTOR DATA

### μPD78310AGF : Microprocessor (Signaling unit IC11)

#### • Terminal connection diagram



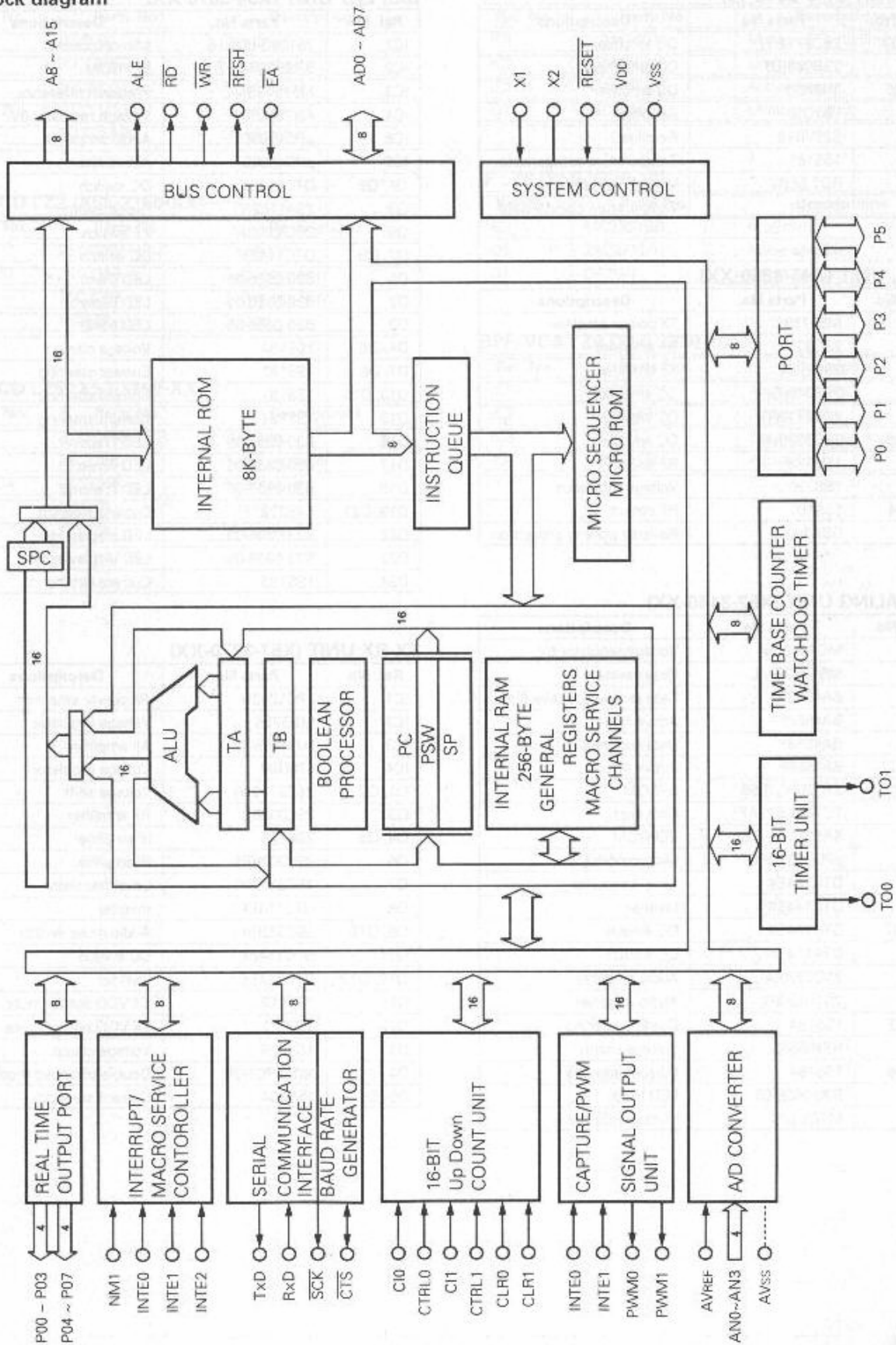
#### • Explanation of terminal functions

No.	Port	I/O	Signal name	No.	Port	I/O	Signal name
1, 2	P06, P07	O	A/D6, A/D7 (R-2R)	24, 25	X1, X2	-	X'tal
3	P10	O	Key	26	Vss	-	GND
4	P11	I	Reset	27	AN0	I	CTCSS IN
5	P12	O	AC	28	AN1	I	TOT VR
6	P13	I	LOC/REP	29	AN2	I	HUNG VR
7	P14	I	PTT	30	AN3	I	P-SQ VR
8	P15	O	COR	31	AVREF	-	+5V
9	P16	O	TONE DET	32	AVss	-	GND
10	P17	I	DQT	33	P34/PWM0	I	DO (EEPROM)
11	P20/NM1	I	Check	34	P35/PWM1	O	DI (EEPROM)
12	P21/INTE0	I	CH CLK	35	P36/CLR0/TO0	O	CLK (EEPROM)
13	P22/INTE1	I	CH DATA	36	P37CLR1/TO1	O	CS (EEPROM)
14	P23/INTE2	I	CH EN	37~44	P50/A8~P57/A15	CONT.	A8~A15 (EEPROM)
15	P24/TxD	O	W3	45	EA	CONT.	External access
16	P25/RxD	O	Mute	46	RESET	CONT.	Power on reset
17	P26/SCK	O	TOR	47	RD	CONT.	READ (EEPROM)
18	P27/CTS	O	Test	48	WR	CONT.	WRITE (EEPROM)
19	RFSH	CONT.	Refresh	49	ALE	CONT.	Address latch enable
20	P30/CI0	I	P-SQ	50~57	P40/AD0~P47/AD7	CONT.	AD0~AD7 (EEPROM)
21	P31/CTRL0	I	W2	58	VDD	-	+5V
22	P32/CI1	I	W1	59~64	P00~P05	O	A/D0~A/D5 (R-2R)
23	P33/CTRL1	I	W4				



## SEMICONDUCTOR DATA

• Block diagram



# TKR-820/N/A

## DESCRIPTION OF COMPONENTS

### AVR UNIT (X43-3040-10)

Ref. No.	Parts No.	Descriptions
Q1-Q3	2SC2712(Y)	DC amplifier
Q4	2SB968(Q)	DC amplifier
Q5, Q6	2N5885	DC amplifier
D1	1B2C1	Rectifier
D3	S25VB10	Rectifier
D4	1SS181	Temperature compensate
D5	RD7.5EB2	Voltage reference
D6	1SS181	Temperature compensate

### FINAL UNIT (X45-3250-XX)

Ref. No.	Parts No.	Descriptions
IC1	M57729	TX power amplifier
Q1	2SC3357	RF amplifier
Q2	2SC2954	RF amplifier
Q3	2SB946(Q)	DC amplifier
Q4	2SC2712(Y)	DC amplifier
Q5, Q6	2SC3326(A)	DC amplifier
D1	1SV172	RF switch
D2	1SS226	Voltage reference
D3, D4	1SS101	RF detect
D5	DSA3A1	Reverse polarity protection

### SIGNALING UNIT (X52-3140-XX)

Ref. No.	Parts No.	Descriptions
IC1	MC78L05M	Voltage regulator 5V
IC2	M51943BML	Reset system
IC3	BA4558F	Data recovery, active filter
IC4	BA4558F	Active filter
IC5	BA4558F	Data recovery
IC6, IC7	BA4558F	Active filter
IC8	27C256QJESB	EPROM
IC9	TC74HC573AF	Data latch
IC10	BR93CS46-EZ	EEPROM
IC11	μPD78310AGF	Microprocessor
Q1	DTC144EK	Level translator
Q2	DTC144EK	Inverter
Q3-Q7	DTC144EK	DC switch
Q8	DTA114EK	DC switch
Q9	2SC3326(A)	Audio amplifier
Q10	2SJ106(GRI)	Audio amplifier
D1, D2	1SS184	Current steering
D3	HSM88AS	Voltage clamp
D4~D6	1SS184	Current steering
D7	B30-0838-05	LED (Red)
D8	MT28.2JB	Voltage reference

### DISPLAY UNIT (X54-3070-XX)

Ref. No.	Parts No.	Descriptions
IC1	75104G-604-1B	Microprocessor
IC2	BR93CS46-EZ	EEPROM
IC3	M51943BML	Precision reference
IC4	AN78N05	Voltage regulator 5V
IC5	μPC4558C	Audio amplifier
IC6	μPC4558C	Active filter
Q1, Q2	DTC114EK	DC switch
Q3	2SA1162(Y)	Digital switch
Q6	2SC3326(A)	AF switch
Q7, Q8	DTC114EK	DC switch
D1	B30-0855-05	LED (Red)
D2	B30-0856-05	LED (Green)
D3	B30-0855-05	LED (Red)
D4~D6	1SS184	Voltage clamp
D7, D8	1SS181	Current steering
D10, D11	1SS181	Current steering
D13	1SS181	Current steering
D16	B30-0857-05	LED (Yellow)
D17	B30-0856-05	LED (Green)
D18	B30-0857-05	LED (Yellow)
D19, D21	1SS272	Current steering
D22	B38-0308-05	LED display assy
D23	B38-0308-05	LED display assy
D24	1SS133	Current setting

### TX-RX UNIT (X57-3270-XX)

Ref. No.	Parts No.	Descriptions
IC1	μPC1242H	AF power amplifier
IC2	MB3756	Voltage regulator
IC3	NJM4558D	AF amplifier
IC4	L78N08	Voltage regulator
Q1, Q2	2SC2712(Y)	Voltage shift
Q3	2SC3358K	RF amplifier
Q4, Q5	2SK125	IF amplifier
Q6	2SK302(GRI)	IF amplifier
Q7	2SC2712(Y)	Level translator
Q8	DTC114EK	Inverter
Q9, Q10	2SC3326(A)	Audio mute switch
Q11	DTC114EK	DC switch
Q12, Q13	DTC114EK	Inverter
D1	1SV128	TX VCO output mute
D2	1SV172	TX VCO output mute
D3	1SS226	Voltage clamp
D4	ND487C1-3R	Double balanced modulator
D5~D11	1SS184	Current steering

## DESCRIPTION OF COMPONENTS

## RX PLL : Z1, TX PLL : Z4 (X58-3120-10)

Ref. No.	Parts No.	Descriptions
IC1	MB504F	Prescaler
IC2	JLC1075DW	PLL system
Q1	2SC3829TS	RF amplifier
Q2-Q5	DTC114EK	Inverter
D1	RD3.0M-B2	Level shifter

## RX VCO : Z2 (X58-3150-XX)

Ref. No.	Parts No.	Descriptions
Q1	2SK508NV(K52)	Oscillator
Q2, Q3	2SC3356	Buffer amplifier
Q4	2SC3099	Buffer amplifier
D1	15V166	Tuning

## TX VCO : Z5 (X58-3460-XX)

Ref. No.	Parts No.	Descriptions
Q1	2SK508NV(K52)	Oscillator
Q2	2SC3356	Buffer amplifier
Q3, Q4	2SC3356	RF amplifier
D1	15V166	Tuning
D2	15V164	Modulator

## MIC AMP : Z7 (X59-3210-10)

Ref. No.	Parts No.	Descriptions
IC1	NJM4560M	Mic amplifier/Limiter
IC2	NJM4558M	Limiter
IC3	NJM4558M	Active filter
Q1	2SC3326(A)	Muting switch

## IF : Z8 (X59-3220-10)

Ref. No.	Parts No.	Descriptions
IC1	MC3361BD	IF system
Q1	2SC2712(Y)	Noise amplifier
D1	DA204K	Noise detector

## BPF/VCA : Z9 (X59-3230-10)

Ref. No.	Parts No.	Descriptions
IC1	NJM4558M	Audio amplifier
IC2	NJM4558M	Active filter
IC3	M5222FP	Electronic attenuator
IC4	NJM4558M	Active filter

# TKR-820/N/A

## PARTS LIST

\* New Parts

Parts without Parts No. are not supplied.

Les articles non mentionnés dans le Parts No. ne sont pas fournis.

Teile ohne Parts No. werden nicht geliefert.

TKR-820/N/A

Ref. No.	Address	New Parts	Parts No.	Description	Destination	Remarks
参照番号	位置	新	部品番号	部品名/規格	仕向	備考
<b>TKR-820/N/A</b>						
1	1A		A01-1059-01	CASE (UPPER)		
2	3A		A01-1060-01	CASE (LOWER)		
3	2C		A13-0684-11	FRAME		
4	3A		A20-2666-11	PANEL		
5	3A		A21-1519-03	DRESSING PLATE	K2K3K4	
5	3A		A21-1519-03	DRESSING PLATE	KNMNM4	
5	3A		A21-1519-03	DRESSING PLATE	M5M6	
6	3A		A21-1520-03	DRESSING PLATE(REPEAT, MONT)	K2K3K4	
6	3A		A21-1520-03	DRESSING PLATE(REPEAT, MONT)	KNMNM4	
6	3A		A21-1520-03	DRESSING PLATE(REPEAT, MONT)	M5M6	
7	2A		A22-0758-01	SUB PANEL		
8	2B		A22-0759-02	SUB PANEL		
9	2B		A23-1508-02	REAR PANEL		
10	2A		A40-0623-02	BOTTOM PLATE (AVR)		
11	2A		A50-0409-03	SIDE PLATE		
12	2B		A50-0410-13	SIDE PLATE		
5	3A		B03-0578-03	DRESSING PLATE	AMAM4	
5	3A		B03-0578-03	DRESSING PLATE	AM5AM6	
6	3A		B03-0579-03	DRESSING PLATE(REPEAT, MONT)	AMAM4	
6	3A		B03-0579-03	DRESSING PLATE(REPEAT, MONT)	AM5AM6	
			B42-3348-04	LABEL(TX)		
			B42-3349-04	LABEL(RX)		
			B42-3405-04	LABEL(COCSM 450-470MHZ)	MNMAM	
			B42-3406-04	LABEL(COCSM 470-490MHZ)	M2	
			B42-3414-04	LABEL(COCSM 400-430MHZ)	M4NM4	
		*	B42-3414-04	LABEL(COCSM 400-430MHZ)	AM4	
		*	B42-5521-04	LABEL(COCSM 340-360MHZ)	M5AM5	
		*	B42-5522-04	LABEL(COCSM 360-380MHZ)	M6AM6	
			B42-3415-04	LABEL(COCSM 490-520MHZ)	M3	
			B42-3362-14	DSC LABEL		
			B42-5526-04	LABEL(ITEM CARTON BOX)	KX2K3	
			B42-5526-04	LABEL(ITEM CARTON BOX)	K4	
15	3A		B11-0461-04	FILTER		
16	2B		B40-3835-04	MODEL NAME PLATE	K	
16	2B		B40-7661-04	MODEL NAME PLATE	K2	
16	2B		B40-7662-04	MODEL NAME PLATE	K3	
16	2B		B40-7663-04	MODEL NAME PLATE	K4	
16	2B		B40-7664-04	MODEL NAME PLATE	NM2M3	
16	2B		B40-7664-04	MODEL NAME PLATE	M4M5M6	
16	2B		B40-7664-04	MODEL NAME PLATE	NMNM4	
16	2B		B40-7664-04	MODEL NAME PLATE	AMAM4	
16	2B		B40-7664-04	MODEL NAME PLATE	AM5AM6	
17	1A		B41-0659-14	CAUTION LABEL		
14	3F		B44-2163-04	LABEL (UPC)		
18	1F		B46-0409-30	WARRANTY CARD	KX2K3	
18	1F		B46-0409-30	WARRANTY CARD	K4	
19	1F		B62-0066-10	INSTRUCTION MANUAL		
C101	1A		C90-2084-05	ELECTR. CAPA(AL) 6800UF 25WV		
			E31-3435-05	CONNECTING WIRE		
			E31-3437-15	CONNECTING WIRE (SP)		
			E31-3438-05	CONNECTING WIRE (RED)		
			E31-3439-15	CONNECTING WIRE (BLACK)		

K : USA  
M : Other Areas

K : TKR-820 K,M  
K2 : TKR-820 K2,M2  
K3 : TKR-820 K3,M3

K4 : TKR-820 K4,M4  
M5 : TKR-820 M5  
M6 : TKR-820 M6

NM : TKR-820N M  
NM4 : TKR-820N M4  
AM : TKR-820A M

AM4 : TKR-820A M4  
AM5 : TKR-820A M5  
AM6 : TKR-820A M6

▲ indicates safety critical components.



# TKR-820/N/A

## PARTS LIST

\* New Parts

Parts without Parts No. are not supplied.

Les articles non mentionnés dans le Parts No. ne sont pas fournis.

Teile ohne Parts No. werden nicht geliefert.

TKR-820/N/A

Ref. No. 参照番号	Address 位置	New Parts 新	Parts No. 部品番号	Description 部品名/規格	Desti- nation 仕向	Re- marks 備考
44	3B		H25-0103-04	PROTECTION BAG (DC CORD)	AM5AM6	
45	3A		J02-0049-14	FOOT		
46	2B		J19-1433-05	LEAD HOLDER		
47	2D, 3D		J21-4243-04	MOUNTING HARDWARE (TX, RX)		
48	1C, 2C		J21-4244-04	MOUNTING HARDWARE (TX, RX)		
50	2A		J21-4246-04	MOUNTING HARDWARE		
51	3E		J21-4248-04	MOUNTING HARDWARE (DUPLXER)		
52	2D		J21-4253-04	MOUNTING HARDWARE (HEAT SINK)		
53	1B		J41-0024-15	BUSHING (AC CORD)		
54	2C		J42-0452-05	BUSHING		
55	2B		J42-0455-05	BUSHING		
56	2D, 3D		J50-0401-05	HINGE		
57	2A, 2B		J61-0023-05	WIRE BAND		
			J61-0307-05	WIRE BAND		
61	2A		K29-3146-04	KNOB (POWER)		
62	3A		K29-3147-03	KNOB (VOL, SQL)		
63	2B, 3B		K29-3148-04	KNOB (TAKE, REPEAT, MONT)		
64	3A		K29-3075-03	KNOB (CH)	AM5AM6	
64	3A		K29-3075-03	KNOB (CH)	AM4M4	
T101	1A		L01-8341-05	POWER TRANSFORMER	KK2K3	
T101	1A		L01-8341-05	POWER TRANSFORMER	K4	
T101	1A		L01-8347-05	POWER TRANSFORMER	M-M6	
T101	1A		L01-8347-05	POWER TRANSFORMER	NMNM4	
T101	1A		L01-8347-05	POWER TRANSFORMER	AM4M4	
T101	1A		L01-8347-05	POWER TRANSFORMER	AM5AM6	
65	2B		N19-0631-05	FLAT WASHER (LEAD HOLDER)		
A	2A, 2B		N09-0704-05	SCREW (DUPLXER)		
B	2C, 2D		N09-2030-05	SCREW		
C	2B, 2D		N32-3005-46	FLAT HEAD MACHINE SCREW (HING)		
D	1A, 3B		N33-3006-45	OVAL HEAD MACHINE SCREW (CASE)		
E	2A, 2C		N35-3006-46	BINDING HEAD MACHINE SCREW		
F	1B		N35-3008-46	BINDING HEAD MACHINE (AVR HEAT)		
G	1C		N35-2606-41	BINDING HEAD MACHINE (SIGNAL)		
H	1C, 2B		N87-2606-46	BRAZIER HEAD TAPTITE SCREW		
I	1B, 2D		N87-3008-46	BRAZIER HEAD TAPTITE SCREW		
J	1A		N87-4006-46	BRAZIER HEAD TAPTITE SCR (C101)		
K	3A		N87-4010-46	BRAZIER HEAD TAPTITE SCR (FOOT)		
S101	2A		S40-2450-05	PUSH SWITCH (POWER)		
SP101	3A		T07-0227-25	LOUDSPEAKER		
70	1B, 2B		X43-3040-10	AVR UNIT		
71	1C		X52-3140-10	SIGNALING UNIT	KK3K4	
71	1C		X52-3140-10	SIGNALING UNIT	M5M6AM	
71	1C		X52-3140-10	SIGNALING UNIT	AM6NM4	
71	1C		X52-3140-10	SIGNALING UNIT	AM5AM4	
71	1C		X52-3140-10	SIGNALING UNIT	NM	
71	1C		X52-3140-11	SIGNALING UNIT	K2	
72	2B, 3B		X54-3070-11	DISPLAY UNIT	KK2K3	
72	2B, 3B		X54-3070-11	DISPLAY UNIT	K4NM	
72	2B, 3B		X54-3070-11	DISPLAY UNIT	NM4	
72	2B, 3B		X54-3070-11	DISPLAY UNIT	M5M6	
72	2B, 3B		X54-3070-13	DISPLAY UNIT	AM4M4	

K : USA

K : TKR-820 K,M

K4 : TKR-820 K4,M4

NM : TKR-820N M

AM4 : TKR-820A M4

M : Other Areas

K2 : TKR-820 K2,M2

M5 : TKR-820 M5

NM4 : TKR-820N M4

AM5 : TKR-820A M5

K3 : TKR-820 K3,M3

M6 : TKR-820 M6

AM : TKR-820A M

AM6 : TKR-820A M6

## PARTS LIST

× New Parts

Parts without Parts No. are not supplied.

Les articles non mentionnés dans le Parts No. ne sont pas fournis.

Teile ohne Parts No. werden nicht geliefert.

TKR-820/N/A  
DC BACK UP  
MOUNTING BRACKET  
AVR UNIT (X43-3040-10)

Ref. No. 参照番号	Address 位置	New Parts 新	Parts No. 部品番号	Description 部品名/規格	Desti- nation 仕向	Re- marks 備考
72	2B, 3B		X54-3070-13	DISPLAY UNIT	AMSAM6	
73	2C		X57-3270-10	TX.RX UNIT	KAM	
73	2C		X57-3270-11	TX.RX UNIT	K2	
73	2C		X57-3270-12	TX.RX UNIT	K3	
73	2C		X57-3270-13	TX.RX UNIT	K4AM4	
73	2C		X57-3270-14	TX.RX UNIT	NM	
73	2C		X57-3270-15	TX.RX UNIT	NM4	
73	2C	×	X57-3270-16	TX.RX UNIT	MSAM5	
73	2C	×	X57-3270-17	TX.RX UNIT	M6AM6	
74	1D		X60-3180-10	FINAL ASSY UNIT	KAM	
74	1D		X60-3180-11	FINAL ASSY UNIT	K2	
74	1D		X60-3180-12	FINAL ASSY UNIT	K3	
74	1D		X60-3180-13	FINAL ASSY UNIT	K4AM4	
74	1D		X60-3180-14	FINAL ASSY UNIT	NM	
74	1D		X60-3180-15	FINAL ASSY UNIT	NM4	
74	1D	*	X60-3180-16	FINAL ASSY UNIT	MSAM5	
74	1D	*	X60-3180-17	FINAL ASSY UNIT	M6AM6	
<b>DC BACK UP</b>						
76	3E		E30-2076-15	DC CORD (DC BACK UP)	AMAM4	
76	3E		E30-2076-15	DC CORD (DC BACK UP)	AMSAM6	
75	1B		E31-3389-05	CONNECTING WIRE(DC BACK UP)	AMAM4	
75	1B		E31-3389-05	CONNECTING WIRE(DC BACK UP)	AMSAM6	
			E31-3455-05	CONNECTING WIRE(DC BACK UP)	AMAM4	
			E31-3455-05	CONNECTING WIRE(DC BACK UP)	AMSAM6	
R	1B		N87-4014-46	BRAZIER HEAD TAPTITESC(RDIODE)	AMSAM6	
R	1B		N87-4014-46	BRAZIER HEAD TAPTITESC(RDIODE)	AMAM4	
D101	1B		S25VB10	DIODE (DC BACK UP)	AMAM4	
D101	1B		S25VB10	DIODE (DC BACK UP)	AMSAM6	
<b>MOUNTING BRACKET</b>						
			J21-4250-04	MOUNTING BRACKET		
			N09-0704-05	SCREW		
<b>AVR UNIT (X43-3040-10)</b>						
C1 ,2			CK73FB1H102K	CHIP C 1000PF K		
C3 ,4			C90-0814-05	ELECTRO 4700UF 25WV		
C5			CE04EW1A470M	ELECTRO 47UF 10WV		
C6 ,7			CK73FB1H102K	CHIP C 1000PF K		
C8 -11			CK73EB1H104K	CHIP C 0.10UF K		
C12			CK73FB1H102K	CHIP C 1000PF K		
C13			C90-0814-05	ELECTRO 4700UF 25WV		
C14 -16			CK73FB1H102K	CHIP C 1000PF K		
C17 -20			CK73EB1H104K	CHIP C 0.10UF K		
C101, 102			C91-1075-05	CERAMIC 470PF		
C103			C91-1098-05	CERAMIC 4700PF AC400V		
CN1 ,2			E23-0462-05	TERMINAL		
CN3 ,4			E23-0611-05	TERMINAL		
CN5 -7			E23-0159-05	TERMINAL		
A3	1B		F01-0965-03	HEAT SINK		
A5	1B		F07-0849-04	COVER		
A9 -12	1B		F29-0432-05	INSULATOR		
A1 ,2			J13-0055-15	FUSE HOLDER		

K : USA

K : TKR-820 K,M

K4 : TKR-820 K4,M4

NM : TKR-820N M

AM4 : TKR-820A M4

M : Other Areas

K2 : TKR-820 K2,M2

M5 : TKR-820 M5

NM4 : TKR-820N M4

AM5 : TKR-820A M5

K3 : TKR-820 K3,M3

M6 : TKR-820 M6

AM : TKR-820A M

AM6 : TKR-820A M6

⚠ indicates safety critical components.

# TKR-820/N/A

## PARTS LIST

\* New Parts

Parts without Parts No. are not supplied.

Les articles non mentionnés dans le Parts No. ne sont pas fournis.

Felle ohne Parts No. werden nicht geliefert.

AVR UNIT (X43-3040-10)

FINAL UNIT (X45-3250-XX)

Ref. No. 参照番号	Address 位置	New Parts 新	Parts No. 部品番号	Description 部品名/規格	Desti- nation 仕向	Re- marks 備考
A4	1R		J21-4247-04	MOUNTING HARDWARE		
A6	-8		J32-0904-14	BOSS		
E	1R		N35-3006-46	BINDING HEAD MACHINE SCREW		
I	1R		N87-3008-46	BRAZIER HEAD TAPTITE SCREW		
L	1R		N35-3012-46	BINDING HEAD MACHINE SCREW		
M	1R		N87-4016-46	BRAZIER HEAD TAPTITE SCREW		
R2			RS14AB3A4R7J	FL-PROOF RS 4.7	J 1W	
R3	-5		RD41FB2B273J	CYLND CHIP R 27K	J 1/8W	
R6	.7		R92-0619-05	FIXED RESISTOR 0.05	5W	
R8			RD41FB2B152J	CYLND CHIP R 1.5K	J 1/8W	
R9			RD41FB2B102J	CYLND CHIP R 1.0K	J 1/8W	
R10	-12		RD41FB2B391J	CYLND CHIP R 390	J 1/8W	
R13			RD41FB2B683J	CYLND CHIP R 68K	J 1/8W	
R14			RD41FB2B822J	CYLND CHIP R 8.2K	J 1/8W	
VR1			R12-0440-05	TRIMMING POT.680		
VR2			R12-8406-05	TRIMMING POT.1M		
D1			1R2C1	DIODE		
D3	1R		S25VB10	DIODE		
D4			1SS181	CHIP DIODE		
D5			RD7.5EB2	CHIP ZENER DIODE		
D6			1SS181	CHIP DIODE		
Q1	-3		2SC2712(Y)	CHIP TRANSISTOR		
Q4			2SB968(Q)	CHIP TRANSISTOR		
Q5	.6	1R	2N5885	TRANSISTOR		
<b>FINAL UNIT (X45-3250-XX) -10 : K,M,NM,AM -11 : K2,M2 -12 : K3,M3 -13 : K4,M4,NM4,AM4 -14 : M5,AM5 -15 : M6,AM6</b>						
C1			CK73FB1H471K	CHIP C 470PF	K	
C2			CS15B1C010M	TANTAL 1.0UF	16WV	
C3	.4		CK73FB1H471K	CHIP C 470PF	K	
C5			CK73FB1H103K	CHIP C 0.010UF	K	
C6	.7		CK73FB1H471K	CHIP C 470PF	K	
C8	.9		CC73FCH1H0700	CHIP C 7.0PF	C	Y6AM6
C8	.9		CC73FCH1H0600	CHIP C 6.0PF	D	AM4AM5
C8	.9		CC73FCH1H0600	CHIP C 6.0PF	D	K2K3
C8	.9		CC73FCH1H0600	CHIP C 6.0PF	D	K4M5NM
C8	.9		CC73FCH1H0600	CHIP C 6.0PF	D	NM4AM
C9			CC73FCH1H1000	CHIP C 10PF	D	Y6AM6
C10			CC73FCH1H1000	CHIP C 10PF	D	
C11			CK73FB1H471K	CHIP C 470PF	K	
C12			CK73FB1H103K	CHIP C 0.010UF	K	
C13	.14		CK73FB1H471K	CHIP C 470PF	K	
C15			CC73FCH1H040C	CHIP C 4PF	C	M6AM6
C15			CC73FCH1H120J	CHIP C 12PF	J	KNYAM
C15			CC73FCH1H120J	CHIP C 12PF	J	K2K3K4
C15			CC73FCH1H120J	CHIP C 12PF	J	NM4AM4
C15			CC73FCH1H050C	CHIP C 5PF	C	Y5AM5
C16			CK73FB1H471K	CHIP C 470PF	K	
C17			C90-0875-05	ELECTRO 100UF	16WV	
C18	.19		CK73FB1H471K	CHIP C 470PF	K	
C20			C90-0875-05	ELECTRO 100UF	16WV	
C21			C90-0871-05	ELECTRO 220UF	16WV	
C22			CM73F2H0700	CHIP C 7.0PF	D	KNYAM
C22			CM73F2H0700	CHIP C 7.0PF	D	K2K3K4
C22			CM73F2H0700	CHIP C 7.0PF	D	AM4NM4

K : USA

M : Other Areas

K : TKR-820 K,M

K2 : TKR-820 K2,M2

K3 : TKR-820 K3,M3

K4 : TKR-820 K4,M4

M5 : TKR-820 M5

M6 : TKR-820 M6

NM : TKR-820N M

NM4 : TKR-820N M4

AM : TKR-820A M

AM4 : TKR-820A M4

AM5 : TKR-820A M5

AM6 : TKR-820A M6

⚠ indicates safety critical components.



## PARTS LIST

x: New Parts

Parts without Parts No. are not supplied.

Les articles non mentionnés dans le Parts No. ne sont pas fournis.

Teile ohne Parts No. werden nicht geliefert.

FINAL UNIT (X45-3250-XX)

Ref. No. 参照番号	Address 位置	New Parts 新	Parts No. 部品番号	Description 部品名 / 規格	Desti- nation 仕 向	Re- marks 備考
C22			CM73P2H120J	CHIP C 12PF D	M5AM5	
C22			CM73P2H130J	CHIP C 13PF D	M6AM6	
C23			CC73PCH1R0R5C	CHIP C 0.5PF C		
C24	,25		CK73PB1H471K	CHIP C 470PF K		
C26			CC73PCH1R0R5C	CHIP C 0.5PF C		
C27			CM73P2H0900	CHIP C 9.0PF D	KNMAM	
C27			CM73P2H0900	CHIP C 9.0PF D	K2	
C27			CM73P2H130J	CHIP C 13PF J	K4NM4	
C27			CM73P2H130J	CHIP C 13PF J	AM4	
C27			CM73P2H180J	CHIP C 18PF J	M6AM6	
C28			CM73P2H120J	CHIP C 12PF J	KNMAM	
C28			CM73P2H1000	CHIP C 10PF D	K2K3	
C28			CM73P2H150J	CHIP C 15PF J	K4NM4	
C28			CM73P2H150J	CHIP C 15PF J	AM4	
C28			CM73P2H180J	CHIP C 18PF J	M5AM5	
C28			CM73P2H180J	CHIP C 18PF J	M6AM6	
C29			CM73P2H150J	CHIP C 15PF J	KNMAM	
C29			CM73P2H1000	CHIP C 10PF D	K2K3	
C29			CM73P2H180J	CHIP C 18PF J	K4NM4	
C29			CM73P2H180J	CHIP C 18PF J	AM4	
C29			CM73P2H200J	CHIP C 20PF J	M6AM6	
C29			CM73P2H240J	CHIP C 24PF J	M5AM5	
C30			CM73P2H110J	CHIP C 11PF J	KNMAM	
C30			CM73P2H0700	CHIP C 7PF D	K2K3	
C30			CM73P2H150J	CHIP C 15PF J	K4NM4	
C30			CM73P2H150J	CHIP C 15PF J	AM4M5	
C30			CM73P2H150J	CHIP C 15PF J	AM5M6	
C31	-37		CK73PB1H471K	CHIP C 470PF K	AM6	
C38			C90-2044-05	ELECTRO 1UF 25WV		
C39			CK73PB1H103K	CHIP C 0.010UF K		
C40	-44		CK73PB1H471K	CHIP C 470PF K		
C46	,47		C90-0871-05	ELECTRO 220UF 16WV		
C48	-50		CK73PB1H471K	CHIP C 470PF K		
C51			C90-2044-05	ELECTRO 1UF 25WV		
C52			CM73P2H0900	CHIP C 9PF D	K3	
C52			CM73P2H180J	CHIP C 18PF J	M5AM5	
CN1			E04-0159-05	RF COAXIAL CABLE RECEPTACLE		
CN2	,3		E23-0491-15	TERMINAL		
W1			E31-3273-05	CONNECTING WIRE(SP)		
L1			L40-2272-80	SMALL FIXED INDUCTOR(22NH)		
L2			L40-1872-80	SMALL FIXED INDUCTOR(18NH)	KNMAM	
L2			L40-2272-80	SMALL FIXED INDUCTOR(22NH)	M6AM6	
L2			L40-1872-80	SMALL FIXED INDUCTOR(18NH)	K2K3K4	
L2			L40-1872-80	SMALL FIXED INDUCTOR(18NH)	NM4AM4	
L2			L40-1872-80	SMALL FIXED INDUCTOR(18NH)	M5AM5	
L3			L40-2272-80	SMALL FIXED INDUCTOR(22NH)	KNMAM	
L3			L40-2272-80	SMALL FIXED INDUCTOR(22NH)	K2K3K4	
L3			L40-2272-80	SMALL FIXED INDUCTOR(22NH)	NM4AM4	
L3			L40-3372-80	SMALL FIXED INDUCTOR(33NH)	M5AM5	
L3			L40-3372-80	SMALL FIXED INDUCTOR(33NH)	M6AM6	
L4	-6		L33-0666-05	CHOKE COIL		
L7	-10		L34-1198-05	COIL (LPP)		
L11			L34-0908-05	COIL (9.5T)		

K : USA

K : TKR-820 K,M

K4 : TKR-820 K4,M4

NM : TKR-820N M

AM4 : TKR-820A M4

M : Other Areas

K2 : TKR-820 K2,M2

M5 : TKR-820 M5

NM4 : TKR-820N M4

AM5 : TKR-820A M5

K3 : TKR-820 K3,M3

M6 : TKR-820 M6

AM : TKR-820A M

AM6 : TKR-820A M6

▲ indicates safety critical components.

# TKR-820/N/A

## PARTS LIST

x New Parts

Parts without Parts No. are not supplied.

Les articles non mentionnés dans le Parts No. ne sont pas fournis.

Teile ohne Parts No. werden nicht geliefert.

FINAL UNIT (X45-3250-XX)

SIGNALING UNIT (X52-3140-XX)

Ref. No. 参照番号	Address 位置	New Parts 新	Parts No. 部品番号	Description 部品名 / 規格	Desti- nation 仕向	Re- marks 備考
R1	,2		RD41FB2B271J	CYLND CHIP R 270 J 1/8W		
R3			RK73EB2B562J	CHIP R 5.6K J 1/8W		
R4			RD41FB2B101J	CYLND CHIP R 100 J 1/8W		
R5			RK73EB2B471J	CHIP R 470 J 1/8W		
R6			RD41FB2B561J	CYLND CHIP R 560 J 1/8W		
R7			RD41FB2B220J	CYLND CHIP R 22 J 1/8W		
R8			RK73EB2B6R8J	CHIP R 6.8 J 1/8W		
R9			R92-0679-05	CHIP R 0 0HM		
R10			RD41FB2B271J	CYLND CHIP R 270 J 1/8W		
R11			RD41FB2B221J	CYLND CHIP R 220 J 1/8W		
R12			R92-0679-05	CHIP R 0 0HM		
R13			RK73EB2B150J	CHIP R 15 J 1/8W		
R14			RD41FB2B222J	CYLND CHIP R 2.2K J 1/8W		
R15	,16		RD41FB2B221J	CYLND CHIP R 220 J 1/8W		
R17			RD41FB2B222J	CYLND CHIP R 2.2K J 1/8W		
R18			RD41FB2B472J	CYLND CHIP R 4.7K J 1/8W		
R19			RD41FB2B123J	CYLND CHIP R 12K J 1/8W		
R20			RD41FB2B221J	CYLND CHIP R 220 J 1/8W		
R21			RD41FB2B392J	CYLND CHIP R 3.9K J 1/8W		
R22			RD41FB2B102J	CYLND CHIP R 1.0K J 1/8W		
R23			RD41FB2B122J	CYLND CHIP R 1.2K J 1/8W		
R24			RD41FB2B103J	CYLND CHIP R 10K J 1/8W		
R25			RD41FB2B470J	CYLND CHIP R 47 J 1/8W		
R26			RD41FB2B100J	CYLND CHIP R 10 J 1/8W		
R27			RD41FB2B102J	CYLND CHIP R 1.0K J 1/8W		
VR1			R12-4420-05	TRIMMING POT. (50K)		
D1			1SV172	CHIP DIODE		
D2			1SS226	CHIP DIODE		
D3	,4		1SS101	DIODE		
D5			0SA3A1	DIODE		
Q1			2SC3357	CHIP TRANSISTOR		
Q2			2SC2954	CHIP TRANSISTOR		
Q3			2SB946(Q)	TRANSISTOR		
Q4			2SC2712(Y)	CHIP TRANSISTOR		
Q5	,6		2SC3326(A)	CHIP TRANSISTOR		
TH1			SDT1000	THERMISTER 10K		
<b>SIGNALING UNIT (X52-3140-XX) -10 : K,K3,K4,M,M3,M4,M5,M6,NM,NM4,AM,AM4,AM5,AM6</b> <b>-11 : K2,M2</b>						
C1			CE04NW1E220M	ELECTRO 22UF 25WV		
C2	,3		CK73FB1H103K	CHIP C 0.010UF K		
C4			CE04NW1C470M	ELECTRO 47UF 16WV		
C5			C92-0004-05	CHIP TAN 1UF 16WV		
C6			CK73FB1H103K	CHIP C 0.010UF K		
C7			CC73FCH1H470J	CHIP C 47PF J		
C8			C92-0011-05	CHIP TAN 10UF 4WV		
C9			CK73EB1E333K	CHIP C 0.033UF K		
C10			CK73FB1H332K	CHIP C 330PF K		
C11			CK73EB1H683K	CHIP C 0.068UF K		
C12			CK73FB1H152K	CHIP C 1500PF K		
C13			CK73EB1H104K	CHIP C 0.10UF K		
C14	,15		CK73FB1H103K	CHIP C 0.010UF K		
C16			C92-0011-05	CHIP TAN 10UF 4WV		
C17			C92-0003-05	CHIP TAN 0.47UF 25WV		

K : USA

K : TKR-820 K,M

K4 : TKR-820 K4,M4

NM : TKR-820N M

AM4 : TKR-820A M4

M : Other Areas

K2 : TKR-820 K2,M2

M5 : TKR-820 M5

NM4 : TKR-820N M4


AM5 : TKR-820A M5

K3 : TKR-820 K3,M3

M6 : TKR-820 M6

AM : TKR-820A M

AM6 : TKR-820A M6

 indicates safety critical components.

# TKR-820/N/A

## PARTS LIST

\* New Parts

Parts without Parts No. are not supplied.

Les articles non mentionnés dans le Parts No. ne sont pas fournis.

Teile ohne Parts No. werden nicht geliefert.

SIGNALING UNIT (X52-3140-XX)

Ref. No. 参照番号	Address 位置	New Parts 新	Parts No. 部品番号	Description 部品名 / 规格	Desti- nation 仕向	Re- marks 備考
C18 ,19			CC73FCH1H100D	CHIP C 10PF D		
C20			CK73FB1H183K	CHIP C 0.018UF K		
C21			CK73FB1H102K	CHIP C 1000PF K		
C22			CK73EB1E473K	CHIP C 0.047UF K		
C23			CK73EB1E333K	CHIP C 0.033UF K		
C24 ,25			C92-0004-05	CHIP TAN 1UF 16WV		
C26 -28			CC73FCH1H101J	CHIP C 100PF J		
C29			CK73FB1H103K	CHIP C 0.010UF K		
C30			C92-0011-05	CHIP TAN 10UF 4WV		
C31			CK73FB1H103K	CHIP C 0.010UF K		
C32			C92-0004-05	CHIP TAN 1UF 16WV		
C33			CK73EB1H104K	CHIP C 0.10UF K		
C34			C92-0004-05	CHIP TAN 1UF 16WV		
C35 -38			CK73FB1H153K	CHIP C 0.015UF K		
C39			C92-0502-05	ELECTRO 0.33UF 35WV		
C40 ,41			C92-0004-05	CHIP TAN 1UF 16WV		
C42			CK73FB1H103K	CHIP C 0.010UF K		
C43 -46			CK73FP1E104Z	CHIP C 0.1UF Z		
CN1			E02-2015-05	IC SOCKET (28P)		
CN2			E02-2010-05	IC SOCKET (8P)		
CN3			E40-3256-05	PIN CONNECTOR(12P)		
			E40-3248-05	PIN CONNECTOR(4P)		
			E40-3247-05	PIN CONNECTOR(3P)		
TH1			112-103-2	THERMISTOR		K2
TP1 ,2			E23-0467-05	TERMINAL		
W1 ,2			E31-1448-05	JUMPER WIRE		
W4			E31-1448-05	JUMPER WIRE		
W104			E31-3254-05	CONNECTING WIRE (12P)		
W105			E31-3255-05	CONNECTING WIRE (4P)		
X1			L77-1374-05	CRYSTAL RESONATOR (12MHZ)		
CP1			R90-0598-05	MULTI-COMP 10K		
R1			RD41FB2B100J	CYLND CHIP R 10 J 1/8W		
R2			RD41FB2B473J	CYLND CHIP R 47K J 1/8W		
R3			RD41FB2B102J	CYLND CHIP R 1.0K J 1/8W		
R4 ,5			RD41FB2B473J	CYLND CHIP R 47K J 1/8W		
R6 ,7			RD41FB2B273J	CYLND CHIP R 27K J 1/8W		
R8			RD41FB2B624J	CYLND CHIP R 820K J 1/8W		
R9			R92-0687-05	CHIP R 0 OHM		
R10			RD41FB2B104J	CYLND CHIP R 100K J 1/8W		
R11 -13			RD41FB2B683J	CYLND CHIP R 68K J 1/8W		
R14			RD41FB2B753J	CYLND CHIP R 75K J 1/8W		
R15			RD41FB2B563J	CYLND CHIP R 56K J 1/8W		
R16 -19			RD41FB2B473J	CYLND CHIP R 47K J 1/8W		
R20			RD41FB2B123J	CYLND CHIP R 12K J 1/8W		
R21			RD41FB2B153J	CYLND CHIP R 15K J 1/8W		
R22 ,23			RD41FB2B103J	CYLND CHIP R 10K J 1/8W		
R24 ,25			RD41FB2B394J	CYLND CHIP R 390K J 1/8W		
R26			RD41FB2B473J	CYLND CHIP R 47K J 1/8W		
R27 -29			RD41FB2B124J	CYLND CHIP R 120K J 1/8W		
R30			RD41FB2B183J	CYLND CHIP R 18K J 1/8W		
R31			RD41FB2B221J	CYLND CHIP R 220 J 1/8W		
R32 ,33			RD41FB2B393J	CYLND CHIP R 39K J 1/8W		
R34			RK73FB2A225J	CHIP R 2.2M J 1/10W		

K : USA

K : TKR-820 K,M

K4 : TKR-820 K4,M4

NM : TKR-820N M

AM4 : TKR-820A M4

M : Other Areas

K2 : TKR-820 K2,M2

M5 : TKR-820 M5

NM4 : TKR-820N M4

AM5 : TKR-820A M5

K3 : TKR-820 K3,M3

M6 : TKR-820 M6

AM : TKR-820A M

AM6 : TKR-820A M6

△ indicates safety critical components.

# TKR-820/N/A

## PARTS LIST

\* New Parts

Parts without Parts No. are not supplied.

Les articles non mentionnés dans le Parts No. ne sont pas fournis.

Teil ohne Parts No. werden nicht geliefert.

SIGNALING UNIT (X52-3140-XX)

DISPLAY UNIT (X54-3070-XX)

Ref. No. 参照番号	Address 位置	New Parts 新	Parts No. 部品番号	Description 部品名/規格	Desti- nation 仕向	Re- marks 備考
R35 -37			RD41PB2B473J	CYLND CHIP R 47K J 1/8W		
R38			R92-0687-05	CHIP R 0.0HM		
R39 -41			RD41PB2B473J	CYLND CHIP R 47K J 1/8W		
R42 -45			RD41PB2B102J	CYLND CHIP R 1.0K J 1/8W		
R46 -50			RD41PB2B473J	CYLND CHIP R 47K J 1/8W		
R51			RD41PB2B223J	CYLND CHIP R 22K J 1/8W		
R52			RD41PB2B331J	CYLND CHIP R 330 J 1/8W		
R53			RD41PB2B394J	CYLND CHIP R 390K J 1/8W		
R54			RD41PB2B474J	CYLND CHIP R 470K J 1/8W		
R55			RD41PB2B622J	CYLND CHIP R 6.2K J 1/8W		
R56			RD41PB2B563J	CYLND CHIP R 56K J 1/8W		
R57			RD41PB2B683J	CYLND CHIP R 68K J 1/8W		
R58			RD41PB2B153J	CYLND CHIP R 15K J 1/8W		
R59 ,60			RD41PB2B222J	CYLND CHIP R 2.2K J 1/8W		
R61			RD41PB2B104J	CYLND CHIP R 100K J 1/8W		
R62 ,63			RD41PB2B473J	CYLND CHIP R 47K J 1/8W		
R64			RD41PB2B102J	CYLND CHIP R 1.0K J 1/8W		KK3K4
R64			RD41PB2B102J	CYLND CHIP R 1.0K J 1/8W		NMNM4
R64			RD41PB2B102J	CYLND CHIP R 1.0K J 1/8W		AMAM4
R64			RD41PB2B102J	CYLND CHIP R 1.0K J 1/8W		M5M6
R64			RD41PB2B102J	CYLND CHIP R 1.0K J 1/8W		AM5AM6
R64			RD41PB2B103J	CYLND CHIP R 10K J 1/8W		K2
R65			RD41PB2B471J	CYLND CHIP R 470 J 1/8W		
R66			RD14BB2C473J	CYLND CHIP R 47K J 1/6W		
R67			RD14BB2C103J	CYLND CHIP R 10K J 1/6W		K2
VR1 -5			R12-3099-05	TRIMMING POT.47K		
D1,2			1SS184	CHIP DIODE		
D3			HSM884S	CHIP DIODE		
D4 -6			1SS184	CHIP DIODE		
D7			R30-0838-05	LED		
D8			MTZ8.2JB	ZENER DIODE		
D3			HSM884S	CHIP DIODE		
IC1			MC78L05M	IC(VOLTAGE REGULATOR/ +5V)		
IC2			M51943BML	IC(SYSTEM RESET)		
IC3 -7			BA4558P	IC(OP AMP X2)		
IC8		*	27C256QJESB	EPROM		
IC9			TC74HC573AF	IC(8-BIT LATCH)		
IC10			BR93CS46-EZ	REPR0M		
IC11			UPD78310AGP	IC(MICROPROCESSOR)		
D1 -7			DTC144EK	DIGITAL TRANSISTOR		
D8			DTA114EK	DIGITAL TRANSISTOR		
D9			2SC3326(A)	CHIP TRANSISTOR		
D10			2SJ106(GR)	CHIP PBT		
<b>DISPLAY UNIT (X54-3070-XX) -11 : K,K2,K3,K4,M,M2,M3,M4,M5,M6,NM,NM4 -13 : AM,AM4,AM5,AM6</b>						
C1			CK73PB1H102K	CHIP C 1000PF K		
C2 ,3			CC73PCH1H330J	CHIP C 33PF J		
C4			CS15E1C010M	TANTAL 1UF 16WV		
C5			CK73PB1H103K	CHIP C 0.010UF K		
C6			CE04NW1E470M	ELECTRO 47UF 25WV		
C7 ,8			CK73PB1H103K	CHIP C 0.010UF K		
C9			CE04CW1E220M	ELECTRO 22UF 25WV		
C10			CE04CW1A101M	ELECTRO 100UF 10WV		
C11			CK73PB1H102K	CHIP C 1000PF K		

K : USA  
M : Other Areas

K : TKR-820 K,M  
K2 : TKR-820 K2,M2  
K3 : TKR-820 K3,M3

K4 : TKR-820 K4,M4  
M5 : TKR-820 M5  
M6 : TKR-820 M6

NM : TKR-820N M  
NM4 : TKR-820N M4  
AM : TKR-820A M

AM4 : TKR-820A M4  
AM5 : TKR-820A M5  
AM6 : TKR-820A M6

▲ indicates safety critical components.

# TKR-820/N/A

## PARTS LIST

× New Parts

Parts without Parts No. are not supplied.

Les articles non mentionnés dans le Parts No. ne sont pas fournis.

Teile ohne Parts No. werden nicht geliefert.

DISPLAY UNIT (X54-3070-XX)

Ref. No. 参照番号	Address 位置	New Parts 新	Parts No. 部品番号	Description 部品名 / 規格	Desti- nation 仕 向	Re- marks 備考
C12			CS15E1C010M	TANTAL 1.0UF 16WV		
C13			CK73FB1H103K	CHIP C 0.010UF K		
C14			CE04CW1E220M	ELECTRO 22UF 25WV		
C15 -20			CK73FB1H102K	CHIP C 1000PF K		
C21			CS15E1C100M	TANTAL 10UF 16WV		
C22			C92-0004-05	CHIP TAN 1UF 16WV		
C23			CK73FB1H102K	CHIP C 1000PF K		
C24			C92-0004-05	CHIP TAN 1UF 16WV		
C25			CK73FB1H182K	CHIP C 1800PF K		
C26 -28			CK73FB1H153K	CHIP C 0.015UF K		
C30			CK73FB1H153K	CHIP C 0.015UF K		
C31			CK73FB1H102K	CHIP C 1000PF K		
C32			C92-0004-05	CHIP TAN 1UF 16WV		
C33			CK73FB1H102K	CHIP C 1000PF K		
C34 ,35			CC73FCH1H101J	CHIP C 100PF J		
C36 -41			CK73FB1H102K	CHIP C 1000PF K		
C42			CK73FB1H472K	CHIP C 0.047UF K		
C43 ,44			CK73FB1H302K	CHIP C 1000PF K		
C45 ,46			CK73FB1H102K	CHIP C 1000PF K		K-K4NM
C45 ,46			CK73FB1H102K	CHIP C 1000PF K		M5
C45 ,46			CK73FB1H102K	CHIP C 1000PF K		NM4M6
CN1			E40-0218-05	SPACER (LED)		
CN2			E08-0874-05	RECTANGULAR RECEPTACLE(R0M)		
CN3			E40-3273-05	PIN CONNECTOR (15P)		
CN4			E40-3271-05	PIN CONNECTOR (13P)		
CN4			E08-0673-05	RECTANGULAR RECEPTACLE(MTC)		
CN5			E40-3270-05	PIN CONNECTOR (12P)		
CN6			E40-3260-05	PIN CONNECTOR (2P)		
CN7			E40-0274-05	PIN CONNECTOR (2P)		
CN8			E40-3273-05	PIN CONNECTOR (15P)		
CN9			E40-3247-05	PIN CONNECTOR (3P)		AM4M4
CN9			E40-3247-05	PIN CONNECTOR (3P)		AM5AM6
CN10			E40-5191-05	PIN CONNECTOR (8 P)		AM4M4
CN10			E40-5191-05	PIN CONNECTOR (8 P)		AM5AM6
CN11,12			E40-5079-05	PIN CONNECTOR (8 P)		AM4M4
CN11,12			E40-5079-05	PIN CONNECTOR (8 P)		AM5AM6
CN13			E40-5191-05	PIN CONNECTOR (8 P)		AM4M4
CN13			E40-5191-05	PIN CONNECTOR (8 P)		AM5AM6
W1			E31-3440-05	CONNECTING WIRE		
W2			E31-3441-05	CONNECTING WIRE		AM4M4
W2			E31-3441-05	CONNECTING WIRE		AM5AM6
F1			F06-2029-05	FUSE 2A		
X1			L77-1333-05	CRYSTAL RESONATOR (4.195MHZ)		
J2			R92-0687-05	CHIP R 0 OHM		
J4			R92-0687-05	CHIP R 0 OHM		
J7			R92-0687-05	CHIP R 0 OHM		
J9			R92-0687-05	CHIP R 0 OHM		
J11 ,12			R92-0687-05	CHIP R 0 OHM		
J14			R92-0687-05	CHIP R 0 OHM		
JP2			E33-1854-00	WIRE		
JP3			E33-1917-05	WIRE		
JP4			E37-0310-05	WIRE		AM4M4
JP4			E37-0310-05	WIRE		AM5AM6

K : USA

M : Other Areas

K : TKR-820 K,M

K2 : TKR-820 K2,M2

K3 : TKR-820 K3,M3

K4 : TKR-820 K4,M4

M5 : TKR-820 M5

M6 : TKR-820 M6

NM : TKR-820N M

NM4 : TKR-820N M4

AM : TKR-820A M

AM4 : TKR-820A M4

AM5 : TKR-820A M5

AM6 : TKR-820A M6

△ indicates safety critical components

# TKR-820/N/A

## PARTS LIST

× New Parts

Parts without Parts No. are not supplied.

Les articles non mentionnés dans le Parts No. ne sont pas fournis.

Teile ohne Parts No. werden nicht geliefert.

DISPLAY UNIT (X54-3070-XX)

Ref. No. 参照番号	Address 位置	New Parts 新	Parts No. 部品番号	Description 部品名 / 规格	Desti- nation 仕向	Re- marks 備考
R1			RD41FB2B331J	CYLND CHIP R 330 J 1/8W		
R3 ,4			RD41FB2B331J	CYLND CHIP R 330 J 1/8W		
R5 -8			RD41FB2B102J	CYLND CHIP R 1.0K J 1/8W		
R9			RD41FB2B153J	CYLND CHIP R 15K J 1/8W		
R10			RD41FB2B102J	CYLND CHIP R 1K J 1/8W		
R11			RD41FB2B220J	CYLND CHIP R 22 J 1/8W		
R12 -15			RD41FB2B223J	CYLND CHIP R 22K J 1/8W		
R16			RS140B3A470J	PL-PROOF RS 47 J 1W		
R17 -19			RD41FB2B102J	CYLND CHIP R 1.0K J 1/8W		
R20			RD41FB2B223J	CYLND CHIP R 22K J 1/8W		
R22			RD41FB2B473J	CYLND CHIP R 47K J 1/8W		
R24 -28			RD41FB2B102J	CYLND CHIP R 1.0K J 1/8W		
R30 ,31			RD41FB2B473J	CYLND CHIP R 47K J 1/8W		
R32			RD41FB2B101J	CYLND CHIP R 100 J 1/8W		
R33			RD41FB2B562J	CYLND CHIP R 5.6K J 1/8W		
R34			RD41FB2B681J	CYLND CHIP R 680 J 1/8W		
R35			R92-0341-05	FIXED RESISTOR 4.7 J 1/4W		
R38 ,39			RD41FB2B331J	CYLND CHIP R 330 J 1/8W		
R40 ,41			RD41FB2B102J	CYLND CHIP R 1.0K J 1/8W		
R42			RD41FB2B681J	CYLND CHIP R 680 J 1/8W		
R43 ,44			RD41FB2B102J	CYLND CHIP R 1.0K J 1/8W		
R45			RD41FB2B473J	CYLND CHIP R 47K J 1/8W		
R46			RD41FB2B101J	CYLND CHIP R 100 J 1/8W		
R47			RD41FB2B103J	CYLND CHIP R 10K J 1/8W		
R48 ,49			RD41FB2B224J	CYLND CHIP R 220K J 1/8W		
R50			RD41FB2B394J	CYLND CHIP R 390K J 1/8W		
R51			RD41FB2B153J	CYLND CHIP R 15K J 1/8W		
R52			RD41FB2B303J	CYLND CHIP R 30K J 1/8W		
R53			RD41FB2B224J	CYLND CHIP R 220K J 1/8W		
R54			RD41FB2B622J	CYLND CHIP R 6.2K J 1/8W		
R55 ,56			RD41FB2B223J	CYLND CHIP R 22K J 1/8W		
R57			RD41FB2B183J	CYLND CHIP R 18K J 1/8W		
R58			RD41FB2B681J	CYLND CHIP R 680 J 1/8W		
R59			RD41FB2B103J	CYLND CHIP R 10K J 1/8W		
R61			RS140B3A1R0J	PL-PROOF RS 1.0 J 1W		
R62 ,63			RD41FB2B223J	CYLND CHIP R 22K J 1/8W		
R64			RD41FB2B331J	CYLND CHIP R 330 J 1/8W		
R65			RD41FB2B102J	CYLND CHIP R 1.0K J 1/8W		
R66			RD41FB2B223J	CYLND CHIP R 22K J 1/8W		
R67			RD41FB2B102J	CYLND CHIP R 1.0K J 1/8W		
R68			RD41FB2B223J	CYLND CHIP R 22K J 1/8W		
R69			RD41FB2B102J	CYLND CHIP R 1.0K J 1/8W		
R70			RD41FB2B223J	CYLND CHIP R 22K J 1/8W		
R71			RD41FB2B102J	CYLND CHIP R 1.0K J 1/8W		
R72			RD41FB2B223J	CYLND CHIP R 22K J 1/8W		
R73 ,74			RD41FB2B103J	CYLND CHIP R 10K J 1/8W		
R75 ,76			RD41FB2B104J	CYLND CHIP R 100K J 1/8W		
R77 -90			RD41FB2B331J	CYLND CHIP R 330 J 1/8W	AM4M4	
R77 -90			RD41FB2B331J	CYLND CHIP R 330 J 1/8W	AM5AM6	
R92 -94			RD41FB2B473J	CYLND CHIP R 47K J 1/8W		
R95			RD41FB2B271J	CYLND CHIP R 270 J 1/8W		
R96 ,97			R92-0687-05	CHIP R 0 0HM		
R99 ,100			R92-0687-05	CHIP R 0 0HM		
VR1			R01-4418-05	POTENTIOMETER(50K)SOL		
VR2			R01-3434-05	POTENTIOMETER(10K)VOL		

K : USA

M : Other Areas

K : TKR-820 K,M

K2 : TKR-820 K2,M2

K3 : TKR-820 K3,M3

K4 : TKR-820 K4,M4

M5 : TKR-820 M5

M6 : TKR-820 M6

NM : TKR-820N M

NM4 : TKR-820N M4

AM : TKR-820A M

AM4 : TKR-820A M4

AM5 : TKR-820A M5

AM6 : TKR-820A M6

△ indicates safety critical components.

## PARTS LIST

\* New Parts

Parts without Parts No. are not supplied.

Les articles non mentionnés dans le Parts No. ne sont pas fournis.

Teile ohne Parts No. werden nicht geliefert.

DISPLAY UNIT (X54-3070-XX)

TX-RX UNIT (X57-3270-XX)

Ref. No. 参照番号	Address 位置	New Parts 新	Parts No. 部品番号	Description 部品名/規格	Desti- nation 仕向	Re- marks 備考
S1			W02-0393-05	ENCODER	AM4M4	
S1			W02-0393-05	ENCODER	AM5AM6	
S2	-4		S40-2455-05	PUSH SWITCH		
D1			B30-0855-05	LED (RED)		
D2			B30-0856-05	LED (GREEN)		
D3			B30-0855-05	LED (RED)		
D4	-6		1SS184	CHIP DIODE		
D7	,8		1SS181	CHIP DIODE		
D10	,11		1SS181	CHIP DIODE		
D13			1SS181	CHIP DIODE		
D16			B30-0857-05	LED (YELLOW)		
D17			B30-0856-05	LED (GREEN)		
D18			B30-0857-05	LED (YELLOW)		
D19			1SS272	CHIP DIODE		
D21			1SS272	CHIP DIODE	K-K4NM	
D21			1SS272	CHIP DIODE	M5	
D21			1SS272	CHIP DIODE	NM4M6	
D22	,23		B38-0308-05	LED (DISPLAY ASSY)	AM4M4	
D22	,23		B38-0308-05	LED (DISPLAY ASSY)	AM5AM6	
D24			1SS133	CHIP DIODE		
IC1			75104G-604-1B	IC(MICROPROCESSOR)		
IC2			BR93CS46-EZ	IC(1K EEPROM)		
IC3			M51943BML	IC(SYSTEM RESET)		
IC4			AN78N05	IC(VOLTAGE REGULATOR/ +5V)		
IC5	,6		UPC4558C	IC(OP AMP X2)		
Q1	,2		DTC114EK	DIGITAL TRANSISTOR		
Q3			2SA1162(Y)	CHIP TRANSISTOR		
Q6			2SC3326(A)	CHIP TRANSISTOR		
Q7	,8		DTC114EK	DIGITAL TRANSISTOR		
<b>TX-RX UNIT (X57-3270-XX) -10 : K,M,AM -11 : K2,M2 -12 : K3,M3 -13 : K4,M4,AM4 -14 : NM -15 : NM4 -16 : M5,AM5 -17 : M6,AM6</b>						
C1			CE04BW1A101M	ELECTRO 100UF 10WV		
C2	-4		CK73PB1H471K	CHIP C 470PF K		
C5	-7		CC73PCH1H101J	CHIP C 100PF J		
C8			CK73EB1H473K	CHIP C 0.047UF K		
C9			C92-0004-05	CHIP TAN 1UF 16WV		
C10			C92-0001-05	CHIP TAN 0.1UF 35WV		
C11			CE04BW1A101M	ELECTRO 100UF 10WV		
C12			CK73PB1H471K	CHIP C 470PF K		
C13			CE04BW1A101M	ELECTRO 100UF 10WV		
C14			CK73PB1H471K	CHIP C 470PF K		
C15			CE04BW1A101M	ELECTRO 100UF 10WV		
C16	,17		CK73PB1H471K	CHIP C 470PF K		
C18	-20		CC73PCH1H101J	CHIP C 100PF J		
C21			CK73EB1H473K	CHIP C 0.047UF K		
C22			C92-0004-05	CHIP TAN 1UF 16WV		
C23			C92-0001-05	CHIP TAN 0.1UF 35WV		
C24			CK73PB1H103K	CHIP C 0.010UF K		
C26			CK73PB1H103K	CHIP C 0.010UF K		
C27			CE04BW1A101M	ELECTRO 100UF 10WV		
C28	-34		CK73PB1H471K	CHIP C 470PF K		
C35			CE04BW1A101M	ELECTRO 100UF 10WV		
C36			CK73PB1H223K	CHIP C 0.022UF K		
C37			CC73PCH1H101J	CHIP C 100PF J		

K : USA

K : TKR-820 K,M

K4 : TKR-820 K4,M4

NM : TKR-820N M

AM4 : TKR-820A M4

M : Other Areas

K2 : TKR-820 K2,M2

M5 : TKR-820 M5

NM4 : TKR-820N M4

AM5 : TKR-820A M5

K3 : TKR-820 K3,M3

M6 : TKR-820 M6

AM : TKR-820A M

AM6 : TKR-820A M6

⚠ indicates safety critical components.

# TKR-820/N/A

## PARTS LIST

\* New Parts

Parts without Parts No. are not supplied.

Les articles non mentionnés dans le Parts No. ne sont pas fournis.

Teile ohne Parts No. werden nicht geliefert.


TX-RX UNIT (X57-3270-XX)

Ref. No. 参照番号	Address 位置	New Parts 新	Parts No. 部品番号	Description 部品名 / 规格	Desti- nation 仕 向	Re- marks 備考
C38			CE04EW1A101M	ELECTRO 100UF 10WV		
C39			CE04EW1A470M	ELECTRO 47UF 10WV		
C40			CC73FCH1H040C	CHIP C 4.0PF C		
C41			CC73FCH1H030C	CHIP C 3.0PF C	KAM	
C41			CC73FCH1H030C	CHIP C 3.0PF C	K2K3NM	
C41			CC73FCH1H070D	CHIP C 7PF D	M5AM5	
C41			CC73FCH1H070D	CHIP C 7PF D	M6AM6	
C41			CC73FCH1H100D	CHIP C 10PF D	K4AM4	
C41			CC73FCH1H100D	CHIP C 10PF D	NM4	
C42			CK73FB1H471K	CHIP C 470PF K		
C43			CC73FCH1H050C	CHIP C 5.0PF C	KAMK2	
C43			CC73FCH1H050C	CHIP C 5.0PF C	AMSAM6	
C43			CC73FCH1H050C	CHIP C 5.0PF C	K4NM5	
C43			CC73FCH1H050C	CHIP C 5.0PF C	AM4NM4	
C43			CC73FCH1H050C	CHIP C 5.0PF C	M6	
C44			CE04EW1A470M	ELECTRO 47UF 10WV		
C45			CC73FCH1H050C	CHIP C 5.0PF C		
C46			CC73FCH1H330J	CHIP C 33PF J	KAMK2	
C46			CC73FCH1H330J	CHIP C 33PF J	AMSAM6	
C46			CC73FCH1H330J	CHIP C 33PF J	K4NM5	
C46			CC73FCH1H330J	CHIP C 33PF J	AM4NM4	
C46			CC73FCH1H330J	CHIP C 33PF J	M6	
C46			CC73FCH1H180J	CHIP C 18PF J	K3	
C47	-50		CK73FB1H471K	CHIP C 470PF K		
C51			CC73FCH1H100D	CHIP C 10PF D	KAMK2	
C51			CC73FCH1H100D	CHIP C 10PF D	NM4	
C51			CC73FCH1H100D	CHIP C 10PF D	NM5M6	
C51			CC73FCH1H100D	CHIP C 10PF D	AMSAM6	
C51			CC73FCH1H100D	CHIP C 10PF D	K4AM4	
C51			CC73FCH1H070D	CHIP C 7PF D	K3	
C52			CC73FCH1H120J	CHIP C 12PF J		
C55			CC73FCH1H120J	CHIP C 12PF J	KAMK2	
C55			CC73FCH1H120J	CHIP C 12PF J	AM4NM4	
C55			CC73FCH1H120J	CHIP C 12PF J	K3K4NM	
C55			CC73FCH1H100D	CHIP C 10PF D	M5AM5	
C55			CC73FCH1H100D	CHIP C 10PF D	M6AM6	
C56			CC73FCH1H100D	CHIP C 10PF D	KAMK2	
C56			CC73FCH1H100D	CHIP C 10PF D	K3K4NM	
C56			CC73FCH1H100D	CHIP C 10PF D	NM4AM4	
C56			CC73FCH1H060D	CHIP C 6PF D	M5AM5	
C56			CC73FCH1H060D	CHIP C 6PF D	M6AM6	
C57	,58		CC73FCH1H101J	CHIP C 10PF J		
C59			CC73FCH1H331J	CHIP C 330PF J		
C60	-63		CK73FB1H103K	CHIP C 0.010UF K		
C64			CE04EW1E100M	ELECTRO 10UF 25WV		
C65			CK73FB1H103K	CHIP C 0.010UF K		
C66			CE04NW1C220M	ELECTRO 22UF 16WV		
C67			C92-0007-05	CHIP TAN 2.2UF 20WV		
C68	,69		CS15E0J100M	TANTAL 10UF 6.3WV		
C70			CS15E1C100M	TANTAL 10UF 16WV		
C71			CE04EW1A101M	ELECTRO 100UF 10WV		
C72			CE04EW1A221M	ELECTRO 220UF 10WV		
C73			CK73FB1H103K	CHIP C 0.010UF K		
C74			CS15E1C010M	TANTAL 1.0UF 16WV		
C75			CK73FB1H103K	CHIP C 0.010UF K		

K : USA  
M : Other Areas

K : TKR-820 K,M  
K2 : TKR-820 K2,M2  
K3 : TKR-820 K3,M3  
K4 : TKR-820 K4,M4  
M5 : TKR-820 M5  
M6 : TKR-820 M6

NM : TKR-820N M  
NM4 : TKR-820N M4  
AM : TKR-820A M  
AM4 : TKR-820A M4  
AM5 : TKR-820A M5  
AM6 : TKR-820A M6

 indicates safety critical components.



## PARTS LIST

\* New Parts

Parts without Parts No. are not supplied.

Les articles non mentionnés dans le Parts No. ne sont pas fournis.

Teile ohne Parts No. werden nicht geliefert.

TX-RX UNIT (X57-3270-XX)

Ref. No. 参照番号	Address 位置	New Parts 新	Parts No. 部品番号	Description 部品名 / 規格	Desti- nation 仕 向	Re- marks 備考
C76			CS15E1C010M	TANTAL 1.0UF 16WV		
C77			CK73FB1H471K	CHIP C 470PF K		
C78 ,79			CE04BW1A470M	ELECTRO 47UF 10WV		
C80			CE04BW1C100M	ELECTRO 10UF 16WV		
C81			CK73FB1H103K	CHIP C 0.010UF K		
C82			CE04BW1A470M	ELECTRO 47UF 10WV		
C83			CE04BW1E471M	ELECTRO 470UF 25WV		
C84			C90-2030-05	ELECTRO 1000UF 10WV		
C85			CK73BB1H104K	CHIP C 0.10UF K		
C86			C92-0004-05	CHIP TAN 1UF 16WV		
C87			CE04BW1A470M	ELECTRO 47UF 10WV		
C88			CK73FB1H103K	CHIP C 0.010UF K		
C89			CE04BW1A470M	ELECTRO 47UF 10WV		
C90			CK73FB1H103K	CHIP C 0.010UF K		
C91			CE04BW1C100M	ELECTRO 10UF 16WV		
C92			CE04BW1A470M	ELECTRO 47UF 10WV		
C93 -95			CK73FB1H103K	CHIP C 0.010UF K		
C96 -101			CK73FB1H471K	CHIP C 470PF K		
CN1			E04-0171-05	RF COAXIAL CABLE RECEPTACLE		
CN5			E40-3091-05	PIN CONNECTOR (3P)		
CN6			E40-5069-05	PIN CONNECTOR (12P)		
CN7			E40-3092-05	PIN CONNECTOR (4P)		
CN8			E40-0573-05	PIN CONNECTOR (5P)		
CN9 ,10			E04-0154-05	RF COAXIAL CABLE RECEPTACLE		
TP1 -3			E23-0464-05	TERMINAL		
A1			F10-1366-04	SHIELDING PLATE		
CP1			L72-0339-05	CERAMIC FILTER (CFV455D)		KK2AM
CP1			L72-0339-05	CERAMIC FILTER (CFV455D)		K3K4M5
CP1			L72-0339-05	CERAMIC FILTER (CFV455D)		AM4AM5
CP1			L72-0339-05	CERAMIC FILTER (CFV455D)		M6AM6
CP1			L72-0360-05	CERAMIC FILTER (CFV455G)		NMNM4
L1			L40-2211-81	CHIP INDUCTOR (220UH)		
L2			L40-1021-13	SMALL FIXED INDUCTOR(1MH)		
L3 ,4			L40-2211-81	CHIP INDUCTOR (220UH)		
L5			L40-1021-13	SMALL FIXED INDUCTOR(1MH)		
L6			L40-2211-81	CHIP INDUCTOR (220UH)		
L7			L79-0674-05	HELICAL BLOCK		KAMK2
L7			L79-0674-05	HELICAL BLOCK		NM
L7			L79-0893-05	HELICAL BLOCK		K3
L7			L79-0892-05	HELICAL BLOCK		K4AM4
L7			L79-0892-05	HELICAL BLOCK		NM4
L7		*	L79-1094-05	HELICAL BLOCK		M5AM5
L7		*	L79-1095-05	HELICAL BLOCK		M6AM6
L8			L34-1079-05	COIL (3D/1.5T)		
L9 ,10			L79-0674-05	HELICAL BLOCK		KAMK2
L9 ,10			L79-0674-05	HELICAL BLOCK		NM
L9 ,10			L79-0893-05	HELICAL BLOCK		K3
L9 ,10			L79-0892-05	HELICAL BLOCK		K4AM4
L9 ,10			L79-0892-05	HELICAL BLOCK		NM4
L9 ,10		*	L79-1094-05	HELICAL BLOCK		M5AM5
L9 ,10		*	L79-1095-05	HELICAL BLOCK		M6AM6
L11 ,12			L39-0451-05	TROIDAL COIL		
L13			L40-4782-14	SMALL FIXED INDUCTOR(0.47UH)		

K : USA

K : TKR-820 K,M

K4 : TKR-820 K4,M4

NM : TKR-820N M

AM4 : TKR-820A M4

M : Other Areas

K2 : TKR-820 K2,M2

M5 : TKR-820 M5

NM4 : TKR-820N M4

AM5 : TKR-820A M5

K3 : TKR-820 K3,M3

M6 : TKR-820 M6

AM : TKR-820A M

AM6 : TKR-820A M6

⚠ indicates safety critical components.

# TKR-820/N/A

## PARTS LIST

x New Parts

Parts without Parts No. are not supplied.

Les articles non mentionnés dans le Parts No. ne sont pas fournis.

Teile ohne Parts No. werden nicht geliefert.

TX-RX UNIT (X57-3270-XX)

Ref. No. 参照番号	Address 位置	New Parts 新	Parts No. 部品番号	Description 部品名/規格	Desti- nation 仕向	Re- marks 備考
L14			L40-5682-14	SMALL FIXED INDUCTOR(0.54UH)		
L15			L40-2201-14	SMALL FIXED INDUCTOR(22UH)		
L16 ,17			L34-2160-05	IFT (21.4MHZ)		
L18			L30-0503-05	IFT (455KHZ)		
L19			L15-0016-05	LOW-FREQUENCY CHOKER COIL(22UH)		
L20			L40-2272-80	SMALL FIXED INDUCTOR(22NH)	K2	
X1			L77-1348-05	CRYSTAL RESONATOR 20.945MHZ		
XF1			L71-0274-05	M.C.F (21F15C)	KAMK2	
XF1			L71-0274-05	M.C.F (21F15C)	K3K4M6	
XF1			L71-0274-05	M.C.F (21F15C)	AM4M5	
XF1			L71-0274-05	M.C.F (21F15C)	AM5AM6	
XF1			L71-0417-05	M.C.F (21F7.5C)	NMNM4	
Z3			L77-1338-05	TCXO 12.8MHZ		
Z6			L77-1488-05	VCO 12.8MHZ		
R1			RD41FB2B332J	CYLNDR CHIP R 3.3K J 1/8W		
R2			RD41FB2B122J	CYLNDR CHIP R 1.2K J 1/8W		
R3 ,4			RD41FB2B102J	CYLNDR CHIP R 1.0K J 1/8W		
R5 ,6			RD41FB2B472J	CYLNDR CHIP R 4.7K J 1/8W		
R7			RD41FB2B221J	CYLNDR CHIP R 220 J 1/8W		
R8			RD41FB2B271J	CYLNDR CHIP R 270 J 1/8W		
R9			RD41FB2B180J	CYLNDR CHIP R 18 J 1/8W		
R10			RD41FB2B271J	CYLNDR CHIP R 270 J 1/8W		
R11			RD41FB2B332J	CYLNDR CHIP R 3.3K J 1/8W		
R12			RD41FB2B122J	CYLNDR CHIP R 1.2K J 1/8W		
R13 ,14			RD41FB2B102J	CYLNDR CHIP R 1.0K J 1/8W		
R15 ,16			RD41FB2B472J	CYLNDR CHIP R 4.7K J 1/8W		
R17			RD41FB2B221J	CYLNDR CHIP R 220 J 1/8W		
R18			RD41FB2B681J	CYLNDR CHIP R 680 J 1/8W		
R19 ,20			RD41FB2B821J	CYLNDR CHIP R 820 J 1/8W		
R21			RD41FB2B101J	CYLNDR CHIP R 100 J 1/8W		
R22			RD41FB2B103J	CYLNDR CHIP R 10K J 1/8W		
R23			RD41FB2B123J	CYLNDR CHIP R 12K J 1/8W		
R24			RD41FB2B152J	CYLNDR CHIP R 1.5K J 1/8W	K4AM4	
R24			RD41FB2B152J	CYLNDR CHIP R 1.5K J 1/8W	NM4	
R24			RD41FB2B182J	CYLNDR CHIP R 1.8K J 1/8W	KAMK3	
R24			RD41FB2B182J	CYLNDR CHIP R 1.8K J 1/8W	NM	
R24			RD41FB2B122J	CYLNDR CHIP R 1.2K J 1/8W	K2M5M6	
R24			RD41FB2B122J	CYLNDR CHIP R 1.2K J 1/8W	AM5AM6	
R25 ,26			RD41FB2B473J	CYLNDR CHIP R 47K J 1/8W		
R27			RD14BB2C103J	CYLNDR CHIP R 10K J 1/6W		
R28			RD41FB2B102J	CYLNDR CHIP R 1.0K J 1/8W		
R29			RD41FB2B332J	CYLNDR CHIP R 3.3K J 1/8W		
R30			RD41FB2B470J	CYLNDR CHIP R 47 J 1/8W		
R31			RD41FB2B100J	CYLNDR CHIP R 10 J 1/8W		
R32			R92-0687-05	CHIP R 0 0HM		
R33			RD41FB2B102J	CYLNDR CHIP R 1.0K J 1/8W		
R34			RD41FB2B330J	CYLNDR CHIP R 33 J 1/8W		
R35			RD41FB2B182J	CYLNDR CHIP R 1.8K J 1/8W	M2M4K2	
R35			RD41FB2B182J	CYLNDR CHIP R 1.8K J 1/8W	M5K4	
R35			RD41FB2B182J	CYLNDR CHIP R 1.8K J 1/8W	AM4AM5	
R35			RD41FB2B182J	CYLNDR CHIP R 1.8K J 1/8W	M6AM6	
R35			RD41FB2B122J	CYLNDR CHIP R 1.2K J 1/8W	NMNM4	
R36			RD41FB2B100J	CYLNDR CHIP R 10 J 1/8W		
R37			RD41FB2B152J	CYLNDR CHIP R 1.5K J 1/8W		

K : USA      K : TKR-820 K,M      K4 : TKR-820 K4,M4      NM : TKR-820N M      AM4 : TKR-820A M4  
M : Other Areas      K2 : TKR-820 K2,M2      M5 : TKR-820 M5      NM4 : TKR-820N M4      AM5 : TKR-820A M5  
K3 : TKR-820 K3,M3      M6 : TKR-820 M6      AM : TKR-820A M      AM6 : TKR-820A M6

⚠ indicates safety critical components.

# TKR-820/N/A

## PARTS LIST

× New Parts

Parts without Parts No. are not supplied.

Les articles non mentionnés dans le Parts No. ne sont pas fournis.

Teile ohne Parts No. werden nicht geliefert.

TX-RX UNIT (X57-3270-XX)

Ref. No. 参照番号	Address 位置	New Parts 新	Parts No. 部品番号	Description 部品名 / 規格	Desti- nation 仕向	Re- marks 備考
R38			RD41FB2B681J	CYLND CHIP R 680 J 1/8W		
R39			RD41FB2B560J	CYLND CHIP R 56 J 1/8W		
R40			RD41FB2B154J	CYLND CHIP R 150K J 1/8W		
R41			RD41FB2B333J	CYLND CHIP R 33K J 1/8W	KAMK2	
R41			RD41FB2B333J	CYLND CHIP R 33K J 1/8W	AM4AM6	
R41			RD41FB2B333J	CYLND CHIP R 33K J 1/8W		K3K4M5
R41			R92-0687-05	CHIP R 068M		M6AM5
R41			R92-0687-05	CHIP R 068M		NMNM4
R42			RD41FB2B682J	CYLND CHIP R 6.8K J 1/8W		
R43			RD41FB2B683J	CYLND CHIP R 68K J 1/8W		
R44			RD41FB2B222J	CYLND CHIP R 2.2K J 1/8W		
R45			RD41FB2B221J	CYLND CHIP R 220 J 1/8W		
R46			RD41FB2B392J	CYLND CHIP R 3.9K J 1/8W		
R47			RD41FB2B222J	CYLND CHIP R 2.2K J 1/8W		
R48			RD41FB2B103J	CYLND CHIP R 10K J 1/8W		
R49			RD41FB2B182J	CYLND CHIP R 1.8K J 1/8W		
R50			RD41FB2B222J	CYLND CHIP R 2.2K J 1/8W		
R51 -54			RD41FB2B223J	CYLND CHIP R 22K J 1/8W		
R55			RD41FB2B221J	CYLND CHIP R 220 J 1/8W		
R56			RD41FB2B123J	CYLND CHIP R 12K J 1/8W		
R57			RD41FB2B2R2J	CYLND CHIP R 2.2 J 1/8W		
R58 ,59			RD41FB2B223J	CYLND CHIP R 22K J 1/8W		
R60			RD41FB2B102J	CYLND CHIP R 1.0K J 1/8W		
R61			RD41FB2B104J	CYLND CHIP R 100K J 1/8W		
R62			RD41FB2B222J	CYLND CHIP R 2.2K J 1/8W		
R63			R92-0687-05	CHIP R 0 068M		
R64 ,65			RD41FB2B223J	CYLND CHIP R 22K J 1/8W		
R66 ,67			RD41FB2B471J	CYLND CHIP R 470 J 1/8W		
R68 ,69			RD41FB2B103J	CYLND CHIP R 10K J 1/8W		
R70 ,71			RD41FB2B473J	CYLND CHIP R 47K J 1/8W		
R72			RD41FB2B681J	CYLND CHIP R 680 J 1/8W		
R73			RD41FB2B821J	CYLND CHIP R 820 J 1/8W		
R74			RD41FB2B562J	CYLND CHIP R 5.6K J 1/8W		
R75			RD41FB2B223J	CYLND CHIP R 22K J 1/8W		
R76			RD41FB2B332J	CYLND CHIP R 3.3K J 1/6W		
R77			RD41FB2B560J	CYLND CHIP R 56 J 1/6W	K2	
VR1			R12-0420-05	TRIMMING POT.500		
VR2 ,3			R12-4408-05	TRIMMING POT.50K		
K1			S51-1435-05	RELAY (DC12V)		
D1			1SV128	CHIP DIODE		
D2			1SV172	CHIP DIODE		
D3			1SS226	CHIP DIODE		
D4			ND487C1-3R	D.B.M		
D5 -11			1SS184	CHIP DIODE		
IC1			UPC1242H	IC(AE POWER AMP)		
IC2			MB3756	IC(REGULATOR/OUTPUT SEL)		
IC3			NJM4558D	IC(OP AMP X2)		
IC4			L78N08	REGULATOR IC(8V)		
Q1 ,2			2SC2712(Y)	CHIP TRANSISTOR		
Q3			2SC3358K	TRANSISTOR		
Q4 ,5			2SK125	PBT		
Q6			2SK302(GR)	CHIP PBT		
Q7			2SC2712(Y)	CHIP TRANSISTOR		
Q8			DTC114EX	DIGITAL TRANSISTOR		

K : USA

M : Other Areas

K : TKR-820 K,M

K2 : TKR-820 K2,M2

K3 : TKR-820 K3,M3

K4 : TKR-820 K4,M4

M5 : TKR-820 M5

M6 : TKR-820 M6

NM : TKR-820N M

NM4 : TKR-820N M4

AM : TKR-820A M

AM4 : TKR-820A M4

AM5 : TKR-820A M5

AM6 : TKR-820A M6

⚠ indicates safety critical components.

# TKR-820/N/A

## PARTS LIST

× New Parts

Parts without Parts No. are not supplied.

Les articles non mentionnés dans le Parts No. ne sont pas fournis.

Teile ohne Parts No. werden nicht geliefert.

TX-RX UNIT (X57-3270-XX)

RX PLL : Z1, TX PLL : Z4 (X58-3120-10)

RX VCO : Z2 (X58-3150-XX)

Ref. No. 参照番号	Address 位置	New Parts 新	Parts No. 部品番号	Description 部品名 / 規格	Desti- nation 仕 向	Re- marks 備考
Q9 ,10			2SC3326(A)	CHIP TRANSISTOR		
Q11 -13			DTC114BK	DIGITAL TRANSISTOR		
TH1			112-203-2	THERMISTOR 20K		
TH2			112-101-2	THERMISTOR 100		
Z1			X58-3120-10	SUB UNIT (RX PLL)		
Z2			X58-3150-13	SUB UNIT (RX VCO)	K3	
Z2			X58-3150-14	SUB UNIT (RX VCO)	K4AM4	
Z2			X58-3150-14	SUB UNIT (RX VCO)	NM4	
Z2			X58-3150-15	SUB UNIT (RX VCO)	KAMNM	
Z2			X58-3150-16	SUB UNIT (RX VCO)	K2	
Z2		*	X58-3150-17	SUB UNIT (RX VCO)	M5AM5	
Z2		*	X58-3150-18	SUB UNIT (RX VCO)	M6AM6	
Z4			X58-3120-10	SUB UNIT (TX PLL)		
Z5			X58-3460-10	SUB UNIT (TX VCO)	KAMNM	
Z5			X58-3460-11	SUB UNIT (TX VCO)	K2	
Z5			X58-3460-12	SUB UNIT (TX VCO)	K3	
Z5			X58-3460-13	SUB UNIT (TX VCO)	K4AM4	
Z5			X58-3460-13	SUB UNIT (TX VCO)	NM4	
Z5		*	X58-3460-14	SUB UNIT (TX VCO)	M5AM5	
Z5		*	X58-3460-15	SUB UNIT (TX VCO)	M6AM6	
Z7			X59-3210-10	SUB UNIT (MIC AMP)		
Z8			X59-3220-10	SUB UNIT (IP)		
Z9			X59-3230-10	SUB UNIT (BPF/VCA)		
<b>RX PLL : Z1, TX PLL : Z4 (X58-3120-10)</b>						
C1 -9			CK73FB1H102K	CHIP C 1000PF K		
C10			C92-0009-05	CHIP TAN 4.7UF 10WV		
C11			CC41FCH1H070D	CYLND CHIP C 7.0PF D		
-			E23-0471-05	TERMINAL		
A1			F11-1092-04	SHIELDING PLATE		
L1			L40-2272-80	CHIP INDUCTOR (22NH)		
R1			RD41FB2B472J	CYLND CHIP R 4.7K J 1/8W		
R2			RD41FB2B102J	CYLND CHIP R 1.0K J 1/8W		
R3 ,4			RD41FB2B270J	CYLND CHIP R 27 J 1/8W		
R5			RD41FB2B182J	CYLND CHIP R 1.8K J 1/8W		
R6 -9			RD41FB2B103J	CYLND CHIP R 10K J 1/8W		
R10			R92-0687-05	CHIP R D 0HM		
R11			RD41FB2B103J	CYLND CHIP R 10K J 1/8W		
R12			RD41FB2B471J	CYLND CHIP R 470 J 1/8W		
R13			R92-0687-05	CHIP R 0 0HM		
R14			RD41FB2B472J	CYLND CHIP R 4.7K J 1/8W		
R15			RD41FB2B562J	CYLND CHIP R 5.6K J 1/8W		
D1			RD3.0M-B2	CHIP ZENER DIODE(3.0V)		
IC1			M8504F	IC(MODULUS PRE SCALER)		
IC2			JLC1075DW	IC(PLL FREQ SYNTHESIZER)		
Q1			2SC3829TS	CHIP TRANSISTOR		
Q2 -5			DTC114BK	DIGITAL TRANSISTOR		
<b>RX VCO : Z2 (X58-3150-XX) -13 : K3,M3 -14 : K4,M4,NM4, AM4 -15 : K,M,NM,AM -16 : K2,M2 -17 : M5,AM5 -18 : M6,AM6</b>						
C1			CK73FB1H102K	CHIP C 1000PF K		
C2			CC73FCH1H100D	CHIP C 10PF D	K2M5M6	
C2			CC73FCH1H100D	CHIP C 10PF D	AM5AM6	
C2			CC73FCH1H100D	CHIP C 10PF D	K3	

K : USA  
M : Other Areas

K : TKR-820 K,M  
K2 : TKR-820 K2,M2  
K3 : TKR-820 K3,M3

K4 : TKR-820 K4,M4  
M5 : TKR-820 M5  
M6 : TKR-820 M6

NM : TKR-820N M  
NM4 : TKR-820N M4  
AM : TKR-820A M

AM4 : TKR-820A M4  
AM5 : TKR-820A M5  
AM6 : TKR-820A M6

△ indicates safety critical components.

# TKR-820/N/A

## PARTS LIST

× New Parts

Parts without Parts No. are not supplied.

Les articles non mentionnés dans le Parts No. ne sont pas fournis.

Teile ohne Parts No. werden nicht geliefert.

RX VCO : Z2 (X58-3150-XX)

Ref. No. 参照番号	Address 位置	New Parts 新	Parts No. 部品番号	Description 部品名 / 規格	Desti- nation 仕 向	Re- marks 備考
C2			CC73FCH1H10J	CHIP C 11PF J	KNMAM	
C2			CC73FCH1H180J	CHIP C 18PF J	K4NM4	
C2			CC73FCH1H180J	CHIP C 18PF J	AM4	
C3			CC73FCH1H060D	CHIP C 6.0PF D	K4NM4	
C3			CC73FCH1H060D	CHIP C 6.0PF D	KAM4	
C3			CC73FCH1H060D	CHIP C 6.0PF D	AMNM	
C3			CC73FCH1H050C	CHIP C 5.0PF C	K2K3	
C3			CC73FCH1H050C	CHIP C 5.0PF C	M5AM5	
C3			CC73FCH1H030C	CHIP C 3.0PF C	M6AM6	
C4			CC73FCH1H270J	CHIP C 27PF J	KNMAM	
C4			CC73FCH1H120J	CHIP C 12PF J	K2	
C4			CC73FCH1H090D	CHIP C 9.0PF D	K3	
C4			CC73FCH1H330J	CHIP C 33PF J	K4M5M6	
C4			CC73FCH1H330J	CHIP C 33PF J	NM4AM4	
C4			CC73FCH1H330J	CHIP C 33PF J	AM5AM6	
C5			CC73FCH1H030C	CHIP C 3.0PF C	K2	
C5			CC73FCH1H010C	CHIP C 1.0PF C	K4M5M6	
C5			CC73FCH1H010C	CHIP C 1.0PF C	NM4AM4	
C5			CC73FCH1H010C	CHIP C 1.0PF C	AM5AM6	
C5			CC73FCH1H020C	CHIP C 2.0PF C	KK3	
C5			CC73FCH1H020C	CHIP C 2.0PF C	AMNM	
C6			CK73FB1H102K	CHIP C 1000PF K		
C7			CC73FCH1H090D	CHIP C 9PF D	K4NM4	
C7			CC73FCH1H090D	CHIP C 9PF D	AM4	
C7	,8		CC73FCH1H080D	CHIP C 8PF D	K2M5	
C7	,8		CC73FCH1H080D	CHIP C 8PF D	AM5	
C7	,8		CC73FCH1H070D	CHIP C 7PF D	K3M6	
C7	,8		CC73FCH1H070D	CHIP C 7PF D	AM6	
C7	,8		CC73FCH1H100D	CHIP C 10PF D	KNMAM	
C8			CC73FCH1H150J	CHIP C 15PF J	K4NM4	
C8			CC73FCH1H150J	CHIP C 15PF J	AM4	
C9			CC73FCH1H010C	CHIP C 1.0PF C		
C10	,11		CK73FB1H102K	CHIP C 1000PF K		
C12			CC73FCH1H030C	CHIP C 3.0PF C	K3K4NM	
C12			CC73FCH1H030C	CHIP C 3.0PF C	NM4AM4	
C12			CC73FCH1H030C	CHIP C 3.0PF C	KAMK2	
C12			CC73FCH1H100D	CHIP C 10PF D	M5AM5	
C12			CC73FCH1H100D	CHIP C 10PF D	M6AM6	
C13			CC73FCH1H090D	CHIP C 9.0PF D		
C14	,15		CK73FB1H102K	CHIP C 1000PF K		
C16			CC73FCH1H030C	CHIP C 3.0PF C	KK3NM	
C16			CC73FCH1H030C	CHIP C 3.0PF C	AMK2	
C16			CC73FCH1H100D	CHIP C 10PF D	M5AM5	
C16			CC73FCH1H050C	CHIP C 5.0PF C	K4	
C16			CC73FCH1H050C	CHIP C 5.0PF C	AM4NM4	
C16			CC73FCH1H080D	CHIP C 8PF D	M6AM6	
C17	,18		CC73FCH1H100D	CHIP C 10PF D	KK2K3	
C17	,18		CC73FCH1H100D	CHIP C 10PF D	K4NMAM	
C17	,18		CC73FCH1H100D	CHIP C 10PF D	NM4AM4	
C17	,18		CC73FCH1H150J	CHIP C 15PF J	M5AM5	
C17	,18		CC73FCH1H150J	CHIP C 15PF J	M6AM6	
C19			CC73FCH1H050C	CHIP C 5.0PF C	M5AM5	
C19			CC73FCH1H080D	CHIP C 8.0PF D	M6AM6	
C19			CC73FCH1H040C	CHIP C 4.0PF C	K3K4AM	
C19			CC73FCH1H040C	CHIP C 4.0PF C	NM4AM4	

K : USA  
M : Other Areas

K : TKR-820 K,M  
K2 : TKR-820 K2,M2  
K3 : TKR-820 K3,M3  
K4 : TKR-820 K4,M4  
M5 : TKR-820 M5  
M6 : TKR-820 M6

NM : TKR-820N M  
NM4 : TKR-820N M4  
AM : TKR-820A M  
AM4 : TKR-820A M4  
AM5 : TKR-820A M5  
AM6 : TKR-820A M6

△ indicates safety critical components.

# TKR-820/N/A

## PARTS LIST

\* New Parts

Parts without Parts No. are not supplied.

Les articles non mentionnés dans le Parts No. ne sont pas fournis.

Teile ohne Parts No. werden nicht geliefert.

RX VCO : Z2 (X58-3150-XX)

Ref. No. 参照番号	Address 位置	New Parts 新	Parts No. 部品番号	Description 部品名 / 规格	Desti- nation 仕 向	Re- marks 備考
C19			CC73RCH1H040C	CHIP C 4.0PF C	KK2NM	
C20			CB04BW:A101M	ELECTRO 100UF 10WV		
C21 -23			CK73FB1H102K	CHIP C 1000PF K		
TC1			C05-0353-05	TRIMMING CAP (10P)		
			E23-0603-05	TERMINAL		
L1			L40-1092-81	CHIP INDUCTOR (1UH)		
L2			L34-2304-05	COIL	KK3NM	
L2			L34-2304-05	COIL	AMK2	
L2			L34-2375-05	COIL	K4M5M6	
L2			L34-2375-05	COIL	NM4AM4	
L2			L34-2375-05	COIL	AM5AM6	
L3 ,4			L40-1081-80	CHIP INDUCTOR (100NH)	KK3NM	
L3 ,4			L40-1081-80	CHIP INDUCTOR (100NH)	AMK2	
L3 ,4			L40-1881-80	CHIP INDUCTOR (180NH)	K4M5M6	
L3 ,4			L40-1881-80	CHIP INDUCTOR (180NH)	NM4AM4	
L3 ,4			L40-1881-80	CHIP INDUCTOR (180NH)	AM5AM6	
L5			L40-2272-80	CHIP INDUCTOR (22NH)	K3K4NM	
L5			L40-2272-80	CHIP INDUCTOR (22NH)	NM4AM4	
L5			L40-2272-80	CHIP INDUCTOR (22NH)	KAMK2	
L5			L40-3372-80	CHIP INDUCTOR (33NH)	M6AM6	
L5			L40-3972-80	CHIP INDUCTOR (39NH)	M5AM5	
L6			L40-2272-80	CHIP INDUCTOR (22NH)	M6AM6	
L6			L40-1872-80	CHIP INDUCTOR (18NH)	K3K4K	
L6			L40-1872-80	CHIP INDUCTOR (18NH)	NM4AM4	
L6			L40-1872-80	CHIP INDUCTOR (18NH)	K2NMAM	
L6			L40-1872-80	CHIP INDUCTOR (18NH)	M5AM5	
L7			L40-1072-80	CHIP INDUCTOR (10NH)		
R1			RD41FB2B221J	CYLND CHIP R 220 J 1/8W		
R2			RD41FB2B270J	CYLND CHIP R 27 J 1/8W	M6AM6	
R2			RD41FB2B470J	CYLND CHIP R 47 J 1/8W	M5AM5	
R2			RD41FB2B221J	CYLND CHIP R 2.2K J 1/8W	K3K4NM	
R2			RD41FB2B221J	CYLND CHIP R 2.2K J 1/8W	AM4NM4	
R2			RD41FB2B221J	CYLND CHIP R 2.2K J 1/8W	KAMK2	
R3			RD41FB2B101J	CYLND CHIP R 100 J 1/8W	AMK2K3	
R3			RD41FB2B470J	CYLND CHIP R 47 J 1/8W	M5AM5	
R3			RD41FB2B470J	CYLND CHIP R 47 J 1/8W	M6AM6	
R3			RD41FB2B101J	CYLND CHIP R 100 J 1/8W	K4NM4	
R3			RD41FB2B101J	CYLND CHIP R 100 J 1/8W	KAM4NM	
R4			RD41FB2B183J	CYLND CHIP R 18K J 1/8W		
R5			RD41FB2B682J	CYLND CHIP R 6.8K J 1/8W		
R6			RD41FB2B470J	CYLND CHIP R 47 J 1/8W	M5AM5	
R6			RD41FB2B101J	CYLND CHIP R 100 J 1/8W	KK2K3	
R6			RD41FB2B101J	CYLND CHIP R 100 J 1/8W	K4M6NM	
R6			RD41FB2B101J	CYLND CHIP R 100 J 1/8W	NM4AM	
R6			RD41FB2B101J	CYLND CHIP R 100 J 1/8W	AM4AM6	
R7			RD41FB2B101J	CYLND CHIP R 100 J 1/8W		
R8			RD41FB2B100J	CYLND CHIP R 10 J 1/8W		
R9			RD41FB2B183J	CYLND CHIP R 18K J 1/8W		
R10			RD41FB2B682J	CYLND CHIP R 6.8K J 1/8W		
R11			RD41FB2B470J	CYLND CHIP R 47 J 1/8W		
R12 ,13			RD41FB2B101J	CYLND CHIP R 100 J 1/8W		
R14			RD41FB2B103J	CYLND CHIP R 10K J 1/8W		
R15			RD41FB2B222J	CYLND CHIP R 2.2K J 1/8W		

K : USA  
M : Other Areas

K : TKR-820 K,M  
K2 : TKR-820 K2,M2  
K3 : TKR-820 K3,M3

K4 : TKR-820 K4,M4  
M5 : TKR-820 M5  
M6 : TKR-820 M6

NM : TKR-820N M  
NM4 : TKR-820N M4  
AM : TKR-820A M

AM4 : TKR-820A M4  
AM5 : TKR-820A M5  
AM6 : TKR-820A M6

⚠ indicates safety critical components.

## PARTS LIST

\* New Parts

Parts without Parts No. are not supplied.

Les articles non mentionnés dans le Parts No. ne sont pas fournis.

Teile ohne Parts No. werden nicht geliefert.

RX VCO : Z2 (X58-3150-XX)

TX VCO : Z5 (X58-3460-XX)

Ref. No. 参照番号	Address 位置	New Parts 新	Parts No. 部品番号	Description 部品名 / 規格	Desti- nation 仕向	Re- marks 備考
R16			RD41PB2B560J	CYLND CHIP R 56 J 1/8W		
D1			1SV166	VARI-CAP DIODE		
E1			2SK508NV(K52)	CHIP FET		
E2	3		2SC3356	CHIP TRANSISTOR		
E4			2SC3099	CHIP TRANSISTOR		
<b>TX VCO : Z5 (X58-3460-XX) -10 : K,M,NM,AM -11 : K2,M2 -12 : K3,M3 -13 : K4,M4,NM4,AM4 -14 : M5,AM5 -15 : M6,AM6</b>						
C1			CC73FCH1H102K	CHIP C 1000PF K		
C2			CC73FCH1H100D	CHIP C 10PF D		KNMAM
C2			CC73FCH1H100D	CHIP C 10PF D		K2M5M6
C2			CC73FCH1H100D	CHIP C 10PF D		AM5AM6
C2			CC73FCH1H080D	CHIP C 8PF D		K3
C2			CC73FCH1H120J	CHIP C 12PF J		K4NM4
C2			CC73FCH1H120J	CHIP C 12PF J		AM4
C3			CC73FCH1H050C	CHIP C 5.0PF C		KNMAM
C3			CC73FCH1H050C	CHIP C 5.0PF C		K4NM4
C3			CC73FCH1H050C	CHIP C 5.0PF C		AM4
C3			CC73FCH1H1R5C	CHIP C 1.5PF C		AM6M6
C3			CC73FCH1H040C	CHIP C 4.0PF C		K2M5
C3			CC73FCH1H040C	CHIP C 4.0PF C		AM5
C3			CC73FCH1H030C	CHIP C 3.0PF C		K3
C4			CC73FCH1H470J	CHIP C 47PF J		KNMAM
C4			CC73FCH1H220J	CHIP C 22PF J		K2K3M5
C4			CC73FCH1H220J	CHIP C 22PF J		AM5AM6
C4			CC73FCH1H220J	CHIP C 22PF J		M6
C4			CC73FCH1H330J	CHIP C 33PF J		K4NM4
C4			CC73FCH1H330J	CHIP C 33PF J		AM4
C5			CC73FCH1H010C	CHIP C 1.0PF C		KNMAM
C5			CC73FCH1H010C	CHIP C 1.0PF C		K4NM4
C5			CC73FCH1H010C	CHIP C 1.0PF C		AM4
C5			CC73FCH1H0R5C	CHIP C 0.5PF C		K2
C6			CC73FCH1H0R5C	CHIP C 0.5PF C		KNMAM
C6			CC73FCH1HR75C	CHIP C 0.75PF C		K2
C6			CC73FCH1HR75B	CHIP C 0.75PF C		K3M5M6
C6			CC73FCH1HR75B	CHIP C 0.75PF C		AM5AM6
C6			CC73FCH1H010C	CHIP C 1.0PF C		K4NM4
C6			CC73FCH1H010C	CHIP C 1.0PF C		AM4
C7			CK73FB1H102K	CHIP C 1000PF K		
C8			CK73FB1H103K	CHIP C 0.010UF K		
C9			CB04BW1A101M	ELBCTRO 100UF 10WV		
C10			CC73FCH1H060D	CHIP C 6PF D		M5AM5
C10	11		CC73FCH1H060D	CHIP C 6PF D		AM6M6
C10	11		CC73FCH1H080D	CHIP C 8.0PF D		KNMAM
C10	11		CC73FCH1H080D	CHIP C 8.0PF D		K2
C10	11		CC73FCH1H070D	CHIP C 7.0PF D		K3
C10	11		CC73FCH1H100D	CHIP C 10PF D		K4
C10	11		CC73FCH1H100D	CHIP C 10PF D		NM4AM4
C11			CC73FCH1H060D	CHIP C 6PF D		M5AM5
C11			CC73FCH1H050C	CHIP C 5.0PF C		AM6M6
C12			CC73FCH1H0R5C	CHIP C 0.5PF C		KNMAM
C12			CC73FCH1H0R5C	CHIP C 0.5PF C		K2K3
C12			CC73FCH1H1R5C	CHIP C 1.5PF C		K4M5M6
C12			CC73FCH1H1R5C	CHIP C 1.5PF C		NM4AM4
C12			CC73FCH1H1R5C	CHIP C 1.5PF C		AM5AM6

K : USA

M : Other Areas

K : TKR-820 K,M

K2 : TKR-820 K2,M2

K3 : TKR-820 K3,M3

K4 : TKR-820 K4,M4

M5 : TKR-820 M5

M6 : TKR-820 M6

NM : TKR-820N M

NM4 : TKR-820N M4

AM : TKR-820A M

AM4 : TKR-820A M4

AM5 : TKR-820A M5

AM6 : TKR-820A M6

⚠ indicates safety critical components.

# TKR-820/N/A

## PARTS LIST

X New Parts

Parts without Parts No. are not supplied

Les articles non mentionnés dans le Parts No. ne sont pas fournis.

Teile ohne Parts No. werden nicht geliefert.

TX VCO : Z5 (X58-3460-XX)

Ref. No. 参照番号	Address 位置	New Parts 新	Parts No. 部品番号	Description 部品名 / 規格	Desti- nation 仕向	Re- marks 備考
C13 -15			CK73FB1H102K	CHIP C 1000PF X		
C16			CC73FCH1H050C	CHIP C 5.0PF C		
C17 ,18			CK73FB1H102K	CHIP C 1000PF X		
C19			CC73FCH1H040C	CHIP C 4.0PF C		
C20			CK73FB1H102K	CHIP C 1000PF X		
C21			CC73FCH1H010C	CHIP C 1.0PF C	KNMAM	
C21			CC73FCH1H010C	CHIP C 1.0PF C	K2K3	
C21			CC73FCH1H040C	CHIP C 4.0PF C	K4M5M6	
C21			CC73FCH1H040C	CHIP C 4.0PF C	AM4NM4	
C21			CC73FCH1H040C	CHIP C 4.0PF C	AM5AM6	
C22 ,23			CK73FB1H102K	CHIP C 1000PF X		
TC1			C05-0353-05	TRIMMING CAP 10PF		
			E23-0603-05	TERMINAL		
A1			F11-1060-04	SHIELDING COVER		
L1			L40-1092-81	SMALL FIXED INDUCTOR (1UH)		
L2			L34-2304-05	CØIL	KNMAM	
L2			L34-2304-05	CØIL	K2K3	
L2			L34-2375-05	CØIL	K4M5M6	
L2			L34-2375-05	CØIL	NM4AM4	
L2			L34-2375-05	CØIL	AM5AM6	
L3 ,4			L40-1081-80	SMALL FIXED INDUCTOR (100NH)	KNMAM	
L3 ,4			L40-1081-80	SMALL FIXED INDUCTOR (100NH)	K2K3	
L3 ,4			L40-1881-80	SMALL FIXED INDUCTOR (180NH)	K4M5M6	
L3 ,4			L40-1881-80	SMALL FIXED INDUCTOR (180NH)	NM4AM4	
L3 ,4			L40-1881-80	SMALL FIXED INDUCTOR (180NH)	AM5AM6	
L5			L40-2272-80	SMALL FIXED INDUCTOR (22NH)	KNMAM	
L5			L40-2272-80	SMALL FIXED INDUCTOR (22NH)	K2K3K4	
L5			L40-2272-80	SMALL FIXED INDUCTOR (22NH)	NM4AM4	
L5			L40-3372-80	SMALL FIXED INDUCTOR (33NH)	M5AM5	
L5			L40-3372-80	SMALL FIXED INDUCTOR (33NH)	AM6M6	
L5 ,6			L40-3372-80	SMALL FIXED INDUCTOR (33NH)	M5AM5	
L6			L40-1872-80	SMALL FIXED INDUCTOR (18NH)	KNMAM	
L6			L40-1872-80	SMALL FIXED INDUCTOR (18NH)	K2K3K4	
L6			L40-1872-80	SMALL FIXED INDUCTOR (18NH)	NM4AM4	
L6			L40-3972-80	SMALL FIXED INDUCTOR (39NH)	AM6M6	
L7			L40-1092-81	SMALL FIXED INDUCTOR (1UH)	NM4AM4	
R1			RD41FB2B221J	CYLND CHIP R 220 J 1/8W		
R2			RD41FB2B104J	CYLND CHIP R 100K J 1/8W		
R3			RD41FB2B180J	CYLND CHIP R 18 J 1/8W		
R4			RD41FB2B104J	CYLND CHIP R 100K J 1/8W		
R5 ,6			RD41FB2B101J	CYLND CHIP R 100 J 1/8W		
R7			RD41FB2B183J	CYLND CHIP R 18K J 1/8W	KNMAM	
R7			RD41FB2B183J	CYLND CHIP R 18K J 1/8W	K2K4M5	
R7			RD41FB2B183J	CYLND CHIP R 18K J 1/8W	NM4AM4	
R7			RD41FB2B183J	CYLND CHIP R 18K J 1/8W	AM5AM6	
R7			RD41FB2B183J	CYLND CHIP R 18K J 1/8W	M6	
R7			RD41FB2B392J	CYLND CHIP R 3.9K J 1/8W	K3	
R8			RD41FB2B101J	CYLND CHIP R 100 J 1/8W	KNMAM	
R8			RD41FB2B101J	CYLND CHIP R 100 J 1/8W	K2K4M5	
R8			RD41FB2B101J	CYLND CHIP R 100 J 1/8W	AM4AM5	
R8			RD41FB2B101J	CYLND CHIP R 100 J 1/8W	NM4AM6	
R8			RD41FB2B101J	CYLND CHIP R 100 J 1/8W	M6	

K : USA

M : Other Areas

K : TKR-820 K,M

K2 : TKR-820 K2,M2

K3 : TKR-820 K3,M3

K4 : TKR-820 K4,M4

M5 : TKR-820 M5

M6 : TKR-820 M6

NM : TKR-820N M

NM4 : TKR-820N M4

AM : TKR-820A M

AM4 : TKR-820A M4

AM5 : TKR-820A M5

AM6 : TKR-820A M6

△ indicates safety critical components.



# TKR-820/N/A

## PARTS LIST

× New Parts

Parts without Parts No. are not supplied.

Les articles non mentionnés dans le Parts No. ne sont pas fournis.

Teile ohne Parts No. werden nicht geliefert.

TX VCO : Z5 (X58-3460-XX)

MIC AMP : Z7 (X59-3210-10)

Ref. No. 参照番号	Address 位置	New Parts 新	Parts No. 部品番号	Description 部品名 / 規格	Desti- nation 仕向	Re- marks 備考
R8			RD41FB2B470J	CYLND CHIP R 47 J 1/8W	K3	
R9			RD41FB2B682J	CYLND CHIP R 6.8K J 1/8W		
R10			RD41FB2B101J	CYLND CHIP R 100 J 1/8W	KNM4M	
R10			RD41FB2B101J	CYLND CHIP R 100 J 1/8W	K2X4M5	
R10			RD41FB2B101J	CYLND CHIP R 100 J 1/8W	AM5AM6	
R10			RD41FB2B101J	CYLND CHIP R 100 J 1/8W	NM4AM4	
R10			RD41FB2B101J	CYLND CHIP R 100 J 1/8W	M6	
R10			RD41FB2B470J	CYLND CHIP R 47 J 1/8W	K3	
R11			RD41FB2B183J	CYLND CHIP R 18K J 1/8W		
R12			RD41FB2B101J	CYLND CHIP R 100 J 1/8W		
R13			RD41FB2B682J	CYLND CHIP R 6.8K J 1/8W		
R14			RD41FB2B470J	CYLND CHIP R 47 J 1/8W		
R15			RD41FB2B101J	CYLND CHIP R 100 J 1/8W		
R16			RD41FB2B103J	CYLND CHIP R 10K J 1/8W		
R17			RD41FB2B101J	CYLND CHIP R 100 J 1/8W		
R18			RD41FB2B222J	CYLND CHIP R 2.2K J 1/8W		
R19			RD41FB2B560J	CYLND CHIP R 56 J 1/8W		
R20 ,21			RD41FB2B271J	CYLND CHIP R 270 J 1/8W		
D1			1SV166	CHIP DIODE		
D2			1SV164	CHIP DIODE		
Q1			2SK508NV(X52)	CHIP FET		
Q2 -4			2SC3356	CHIP TRANSISTOR		
<b>MIC AMP : Z7 (X59-3210-10)</b>						
C1			CC73FCH1H101J	CHIP C 100PF J		
C2			C92-0004-05	CHIP TAN 1UF 16WV		
C3 ,4			CK73FB1E223K	CHIP C 0.022UF K		
C5			CC73FCH1H330J	CHIP C 33PF J		
C6			C92-0009-05	CHIP TAN 4.7UF 10WV		
C7			C92-0004-05	CHIP TAN 1UF 16WV		
C8			CC73FCH1H101J	CHIP C 100PF J		
C9			C92-0004-05	CHIP TAN 1UF 16WV		
C10			CK73FB1H123K	CHIP C 0.012UF K		
C11			CK73FB1H222K	CHIP C 2200PF K		
C12			CC73FCH1H330J	CHIP C 33PF J		
C13			C92-0004-05	CHIP TAN 1UF 16WV		
C14			CK73FB1H222K	CHIP C 2200PF K		
C15			CK73FB1H392K	CHIP C 3900PF K		
C16			CC73FCH1H221J	CHIP C 220PF J		
C17			CK73FB1H472K	CHIP C 4700PF K		
C18			C92-0004-05	CHIP TAN 1UF 16WV		
-			E23-0471-05	TERMINAL		
R1			RD41FB2B473J	CYLND CHIP R 47K J 1/8W		
R2			RD41FB2B223J	CYLND CHIP R 22K J 1/8W		
R3			RD41FB2B561J	CYLND CHIP R 560 J 1/8W		
R4			RD41FB2B681J	CYLND CHIP R 680 J 1/8W		
R5			RD41FB2B561J	CYLND CHIP R 560 J 1/8W		
R6			RD41FB2B104J	CYLND CHIP R 100K J 1/8W		
R7			RD41FB2B102J	CYLND CHIP R 1.0K J 1/8W		
R8			RD41FB2B333J	CYLND CHIP R 33K J 1/8W		
R9			RD41FB2B393J	CYLND CHIP R 39K J 1/8W		
R10			RD41FB2B104J	CYLND CHIP R 100K J 1/8W		
R11			RD41FB2B683J	CYLND CHIP R 68K J 1/8W		
R12			RD41FB2B224J	CYLND CHIP R 220K J 1/8W		

K : USA

M : Other Areas

K : TKR-820 K,M

K2 : TKR-820 K2,M2

K3 : TKR-820 K3,M3

K4 : TKR-820 K4,M4

M5 : TKR-820 M5

M6 : TKR-820 M6

NM : TKR-820N M

NM4 : TKR-820N M4

AM : TKR-820A M

AM4 : TKR-820A M4

AM5 : TKR-820A M5

AM6 : TKR-820A M6

△ indicates safety critical components.

# TKR-820/N/A

## PARTS LIST

\* New Parts

Parts without Parts No. are not supplied.

Les articles non mentionnés dans le Parts No. ne sont pas fournis.

Teile ohne Parts No. werden nicht geliefert.

MIC AMP : Z7 (X59-3210-10)

IF : Z8 (X59-3220-10)

BPF/VCA : Z9 (X59-3230-10)

Ref. No. 参照番号	Address 位置	New Parts 新	Parts No. 部品番号	Description 部品名 / 規格	Desti- nation 仕向	Re- marks 備考
R13			RD41FB2B474J	CYLND CHIP R 470K J 1/8W		
R14			RD41FB2B123J	CYLND CHIP R 12K J 1/8W		
R15			RD41FB2B154J	CYLND CHIP R 150K J 1/8W		
R16			RD41FB2B272J	CYLND CHIP R 2.7K J 1/8W		
R17			RD41FB2B822J	CYLND CHIP R 8.2K J 1/8W		
R18			RD41FB2B103J	CYLND CHIP R 10K J 1/8W		
R19 ,20			RD41FB2B104J	CYLND CHIP R 100K J 1/8W		
R21			RD41FB2B103J	CYLND CHIP R 10K J 1/8W		
R22			RD41FB2B272J	CYLND CHIP R 2.7K J 1/8W		
R23			RD41FB2B393J	CYLND CHIP R 39K J 1/8W		
R24			RD41FB2B123J	CYLND CHIP R 12K J 1/8W		
R25			RD41FB2B333J	CYLND CHIP R 33K J 1/8W		
R26 ,27			RD41FB2B472J	CYLND CHIP R 4.7K J 1/8W		
R28			RD41FB2B683J	CYLND CHIP R 68K J 1/8W		
IC1			NJM4560M	IC(OP AMP X2)		
IC2 ,3			NJM4558M	IC(OP AMP X2)		
Q1			2SC3326(A)	CHIP TRANSISTOR		
<b>IF : Z8 (X59-3220-10)</b>						
C1			CK73FB1H102K	CHIP C 1000PF K		
C2			CC73FCH1H220J	CHIP C 22PF J		
C3			CC73FCH1H470J	CHIP C 47PF J		
C4 -7			CK735B1B104K	CHIP C 0.10UF K		
C8			C92-0003-05	CHIP TAN 0.47UF 25WV		
C9 ,10			CC73FCH1H680J	CHIP C 68PF J		
C11 ,12			CK73FB1H102K	CHIP C 1000PF K		
C14			C92-0003-05	CHIP TAN 0.47UF 25WV		
C17			CK73FB1E223K	CHIP C 0.022UF K		
C19			CK73FB1H102K	CHIP C 1000PF K		
C20			CC73FCH1H470J	CHIP C 47PF J		
-			E23-0471-05	TERMINAL		
R1			RD41FB2B203J	CYLND CHIP R 20K J 1/8W		
R3			RD41FB2B272J	CYLND CHIP R 2.7K J 1/8W		
R4			RD41FB2B334J	CYLND CHIP R 330K J 1/8W		
R5 ,6			RD41FB2B153J	CYLND CHIP R 15K J 1/8W		
R7			RD41FB2B821J	CYLND CHIP R 820 J 1/8W		
R10			RD41FB2B224J	CYLND CHIP R 220K J 1/8W		
R13			RD41FB2B392J	CYLND CHIP R 3.9K J 1/8W		
R14			RD41FB2B223J	CYLND CHIP R 22K J 1/8W		
R15			RD41FB2B821J	CYLND CHIP R 820 J 1/8W		
R16			RD41FB2B223J	CYLND CHIP R 22K J 1/8W		
D1			DA204K	CHIP DIODE		
IC1			MC33618D	IC(PM IP SYSTEM)		
Q1			2SC2712(Y)	CHIP TRANSISTOR		
<b>BPF/VCA : Z9 (X59-3230-10)</b>						
C1 -4			C93-0502-05	CHIP C 1800PF G		
C5 -9			C93-0501-05	CHIP C 680PF G		
C10			CK73FB1H222K	CHIP C 2200PF K		
C11			C92-0004-05	CHIP TAN 1UF 16WV		
C12			CK73FB1H472K	CHIP C 4700PF K		
C13			CK73FB1H102K	CHIP C 1000PF K		
C14			C92-0004-05	CHIP TAN 1UF 16WV		
-			E23-0471-05	TERMINAL		

K : USA  
M : Other Areas

K : TKR-820 K,M  
K2 : TKR-820 K2,M2  
K3 : TKR-820 K3,M3

K4 : TKR-820 K4,M4  
M5 : TKR-820 M5  
M6 : TKR-820 M6

NM : TKR-820N M  
NM4 : TKR-820N M4  
AM : TKR-820A M

AM4 : TKR-820A M4  
AM5 : TKR-820A M5  
AM6 : TKR-820A M6

⚠ indicates safety critical components

# TKR-820/N/A

## PARTS LIST

× New Parts

Parts without Parts No. are not supplied.

Les articles non mentionnés dans le Parts No. ne sont pas fournis.

Teile ohne Parts No. werden nicht geliefert.

BPF/VCA : Z9 (X59-3230-10)

FINAL ASSY UNIT (X60-3180-XX)

Ref. No. 参照番号	Address 位置	New Parts 新	Parts No. 部品番号	Description 部品名/規格	Desti- nation 仕向	Re- marks 備考
R1			RD41FB2B273J	CYLND CHIP R 27K J 1/8W		
R2			RD41FB2B282J	CYLND CHIP R 8.2K J 1/8W		
R3			RD41FB2B164J	CYLND CHIP R 180K J 1/8W		
R4			RD41FB2B224J	CYLND CHIP R 220K J 1/8W		
R5			RD41FB2B394J	CYLND CHIP R 390K J 1/8W		
R6			RK73FB2A134G	CHIP R 130K G 1/10W		
R7			RK73FB2A105G	CHIP R 1.0M G 1/10W		
R8			RK73FB2A683G	CHIP R 68K G 1/10W		
R9			RK73FB2A105G	CHIP R 1.0M G 1/10W		
R10			RK73FB2A514G	CHIP R 510K G 1/10W		
R11			RK73FB2A105G	CHIP R 1.0M G 1/10W		
R12			RK73FB2A514G	CHIP R 510K G 1/10W		
R13			RK73FB2A303G	CHIP R 30K G 1/10W		
R14 ,15			RD41FB2B473J	CYLND CHIP R 47K J 1/8W		
R16			RD41FB2B472J	CYLND CHIP R 4.7K J 1/8W		
R17			RD41FB2B101J	CYLND CHIP R 100 J 1/8W		
R18			RD41FB2B183J	CYLND CHIP R 18K J 1/8W		
R19			RD41FB2B124J	CYLND CHIP R 120K J 1/8W		
R20 ,21			RD41FB2B223J	CYLND CHIP R 22K J 1/8W		
R22			RD41FB2B183J	CYLND CHIP R 18K J 1/8W		
R23			R92-0687-05	CHIP R 0.0HM		
IC1 ,2			NJM4558M	IC(OP AMP X2)		
IC3			M5222FP	IC(OP AMP X2)		
IC4			NJM4558M	IC(OP AMP X2)		
<b>FINAL ASSY UNIT (X60-3180-XX) -10: K,M,AM -11: K2,M2 -12: K3,M3 -13: K4,M4,AM4</b>						
<b>-14: NM -15: NM4 -16: M5,AM5 -17: M6,AM6</b>						
C101			CK45B1H471K	CHIP C 0.047UF K	K2K3M6	
C101			CK45B1H471K	CHIP C 0.047UF K	AM6M5	
C101			CK45B1H471K	CHIP C 0.047UF K	AM5	
W2	2B		E31-3470-25	CONNECTING WIRE WITH BNC		
W3			E31-3472-05	CONNECTING WIRE DC CORD		
W4			E31-3123-05	CONNECTING WIRE		
101	20		F01-0966-11	HEAT SINK		
102	10		F11-1115-02	SHIELDING COVER		
103	20		F11-1119-04	SHIELDING COVER		
			J19-1431-05	LEAD HOLDER		
			J19-1433-05	LEAD HOLDER		KAMNM
108	20		N16-0040-41	SPRING WASHER		
109	30		N19-0631-05	PLAT WASHER		KAMNM
I	20		N87-3008-46	BRAZIER HEAD TAPTITE SCREW		
N	20		N09-0626-04	SCREW (FINAL MODULE)		
Q	10		N32-3008-41	PLAT HEAD MACHINE SCREW		
P	10,30		N35-3008-41	BINDING HEAD MACHINE SCREW		
IC1			M57729F-01	IC(POWER MODULE/ 450-470MHZ)		KAMNM
IC1			M57729UF	IC(POWER MODULE/ 470-490MHZ)		K2
IC1			M57729SH-22	IC(POWER MODULE/ 490-520MHZ)		K3
IC1			M57729L-22	IC(POWER MODULE/ 400-430MHZ)		K4AY4
IC1			M57729L-22	IC(POWER MODULE/ 400-430MHZ)		NM4
IC1			M57729EL	IC(POWER MODULE/ 340-360MHZ)		M5AM5
IC1			M57729SL	IC(POWER MODULE/ 360-380MHZ)		M6AM6
110	20		X45-3250-10	FINAL UNIT		KAMNM

K : USA

M : Other Areas

K : TKR-820 K,M

K2 : TKR-820 K2,M2

K3 : TKR-820 K3,M3

K4 : TKR-820 K4,M4

M5 : TKR-820 M5

M6 : TKR-820 M6

NM : TKR-820N M

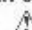
NM4 : TKR-820N M4

AM : TKR-820A M

AM4 : TKR-820A M4

AM5 : TKR-820A M5

AM6 : TKR-820A M6

 indicates safety critical components

# TKR-820/N/A

## PARTS LIST

\* New Parts

Parts without Parts No. are not supplied.

Les articles non mentionnés dans le Parts No. ne sont pas fournis.

Teile ohne Parts No. werden nicht geliefert.

FINAL ASSY UNIT (X60-3180-XX)

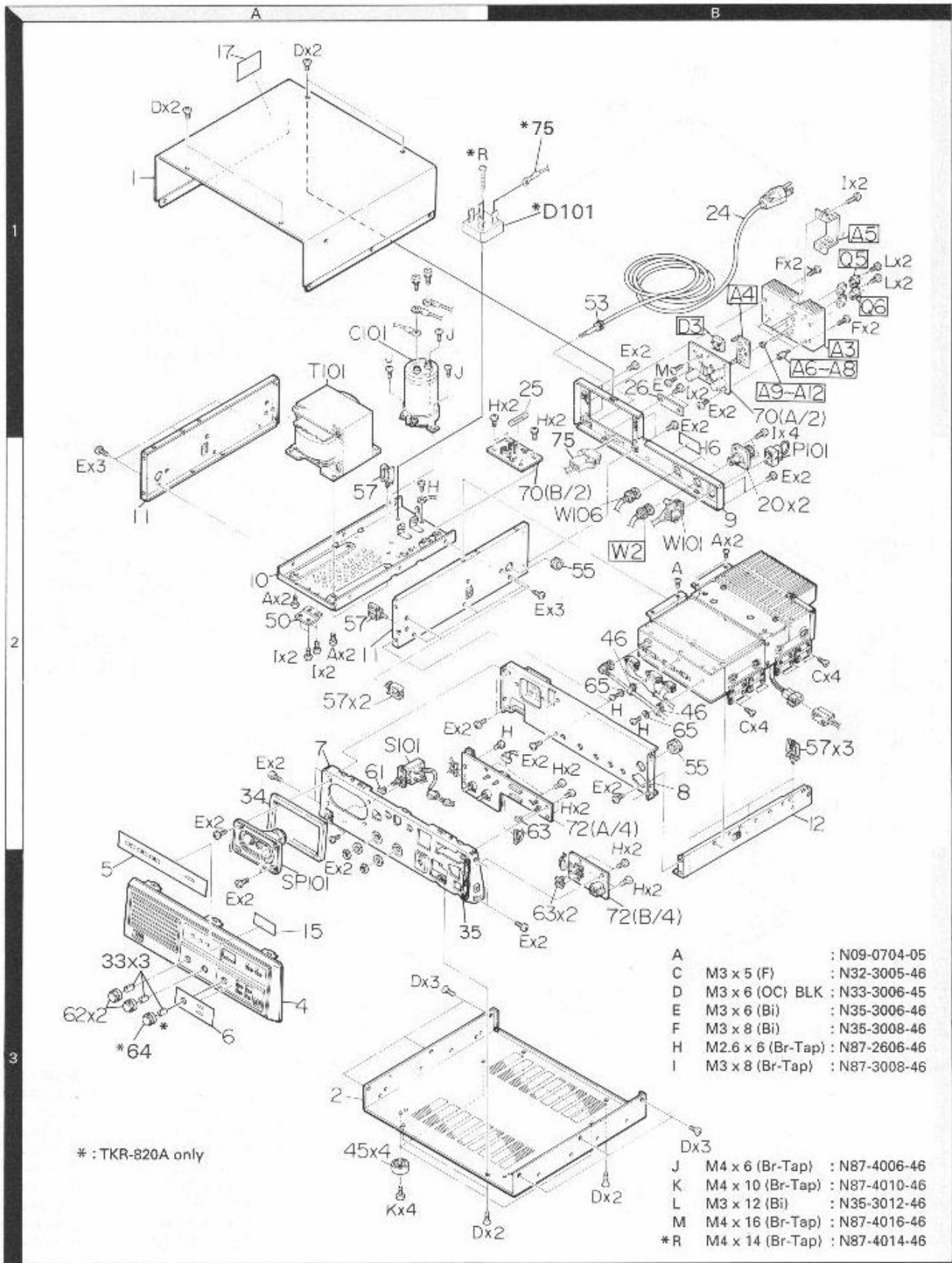
Ref. No. 参照番号	Address 位置	New Parts 新	Parts No. 部品番号	Description 部品名 / 規格	Desti- nation 仕向	Re- marks 備考
110	2D		X45-3250-11	FINAL UNIT	K2	
110	2D		X45-3250-12	FINAL UNIT	K3	
110	2D		X45-3250-13	FINAL UNIT	K4AM4	
110	2D		X45-3250-13	FINAL UNIT	NM4	
110	2D	*	X45-3250-14	FINAL UNIT	M5AM5	
110	2D	*	X45-3250-15	FINAL UNIT	M6AM6	

K : USA                      K : TKR-820 K,M      K4 : TKR-820 K4,M4      NM : TKR-820N M      AM4 : TKR-820A M4  
M : Other Areas          K2 : TKR-820 K2,M2      M5 : TKR-820 M5      NM4 : TKR-820N M4      AM5 : TKR-820A M5  
                                 K3 : TKR-820 K3,M3      M6 : TKR-820 M6      AM : TKR-820A M      AM6 : TKR-820A M6

⚠ indicates safety critical components.

# TKR-820/N/A

## DISASSEMBLY

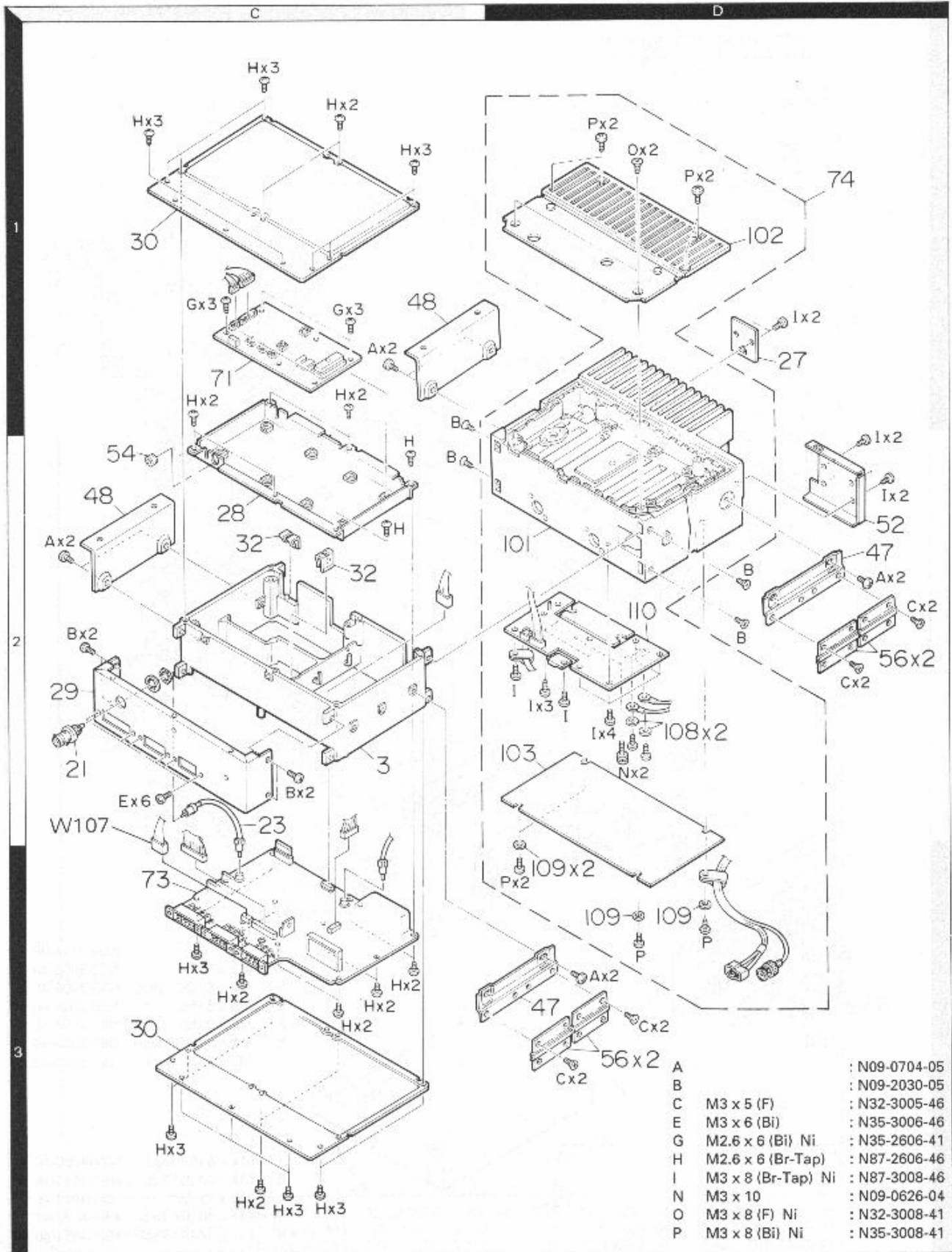


\* : TKR-820A only

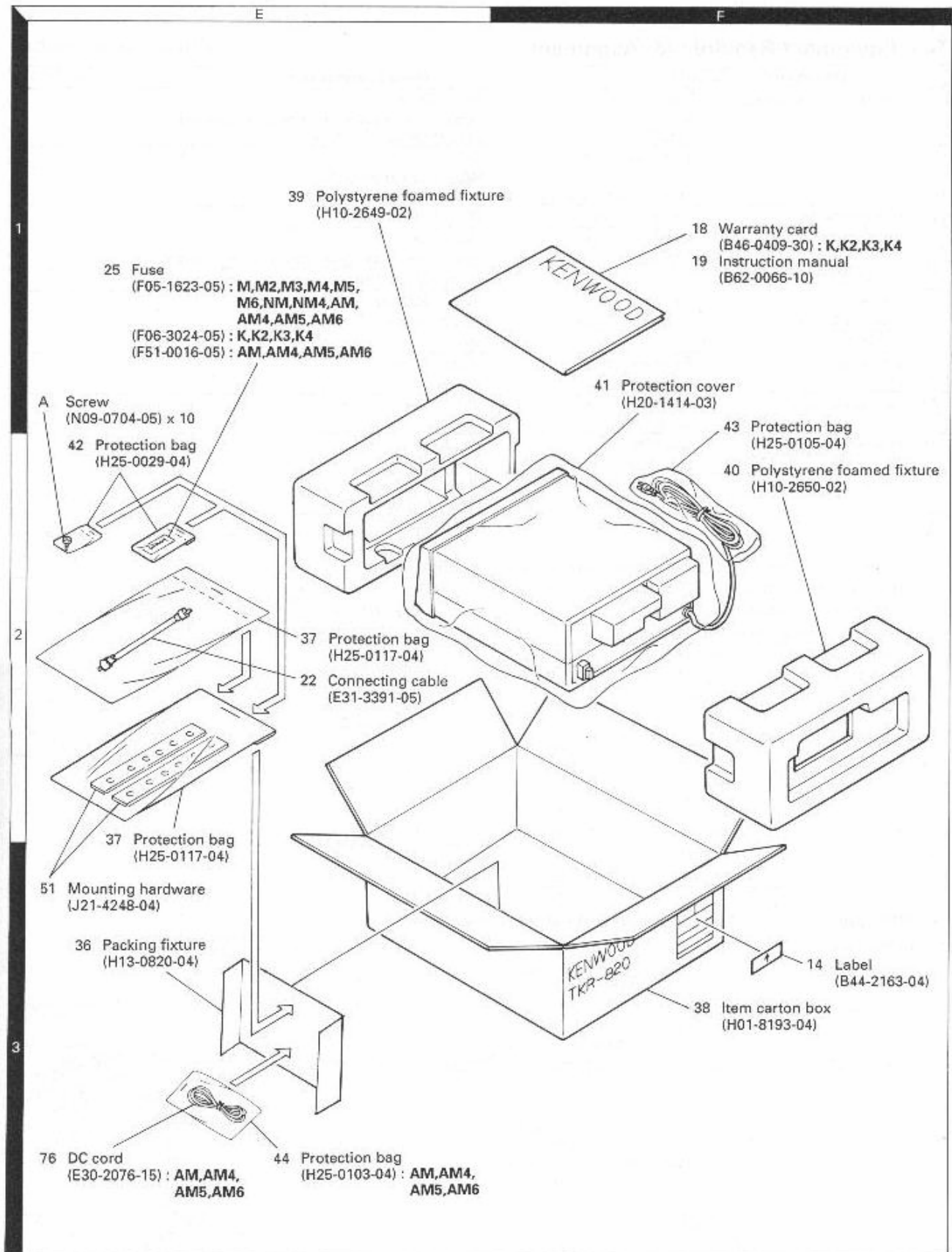
A		: N09-0704-05
C	M3 x 5 (F)	: N32-3005-46
D	M3 x 6 (OC) BLK	: N33-3006-45
E	M3 x 6 (Bi)	: N35-3006-46
F	M3 x 8 (Bi)	: N35-3008-46
H	M2.6 x 6 (Br-Tap)	: N87-2606-46
I	M3 x 8 (Br-Tap)	: N87-3008-46
J	M4 x 6 (Br-Tap)	: N87-4006-46
K	M4 x 10 (Br-Tap)	: N87-4010-46
L	M3 x 12 (Bi)	: N35-3012-46
M	M4 x 16 (Br-Tap)	: N87-4016-46
*R	M4 x 14 (Br-Tap)	: N87-4014-46

# TKR-820/N/A

## DISASSEMBLY



## PACKING



## ADJUSTMENT

### Test Equipment Required for Alignment

Test Equipment	Major Specifications	
1. Standard Signal Generator (SSG)	Frequency range Modulation Output	340 to 520MHz Frequency modulation and external modulation 0.1 $\mu$ V to greater than 1mV
2. Power meter	Input impedance Operation frequency Measurement capability	50 $\Omega$ 340 to 520MHz or more Vicinity of 50W
3. Deviation meter	Frequency range	340 to 520MHz
4. Digital Volt Meter	Measuring range Accuracy	1 to 10V DC High input impedance for minimum circuit loading
5. Oscilloscope		DC through 30MHz
6. High sensitivity frequency counter	Frequency range Frequency stability	10Hz to 600MHz 0.2ppm or less
7. Ammeter		15A
8. AF Volt Meter (AF VTVM)	Frequency range Voltage range	50Hz to 10kHz 3mV to 3V
9. Audio Generator (AG)	Frequency range Output	50Hz to 5kHz or more 0 and 1V
10. Distortion meter	Capability Input level	3% or less at 1kHz 50mV to 10Vrms
11. Voltmeter	Measuring range Input impedance	10 to 1.5V DC or less 50k $\Omega$ /V or greater
12. 4 $\Omega$ dummy load		Approx. 4 $\Omega$ , 3W

The set has been adjusted for the frequencies shown in the following table. When required, re-adjust them following the adjustment procedure to obtain the frequencies you want in actual operation.

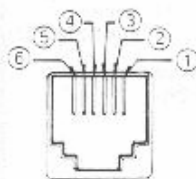
Type	CH	RX freq' (MHz)	TX freq' (MHz)
K,M,NM,AM		469.900	464.900
K2,M2		489.900	484.900
K3,M3		511.900	506.900
K4,M4,NM4,AM4		429.900	424.900
M5,AM5	1	359.900	354.900
	8	358.900	352.400
	16	357.400	349.900
M6,AM6	1	379.900	374.900
	8	378.900	372.400
	16	377.400	369.900

### Signaling

CH	RX		TX	
	QT (Hz)	DOT	QT (Hz)	DOT
1	210.7			023
2	67		77	
3	192.8		179.9	
4	77			754
5	88.5		167.9	
6	100			351

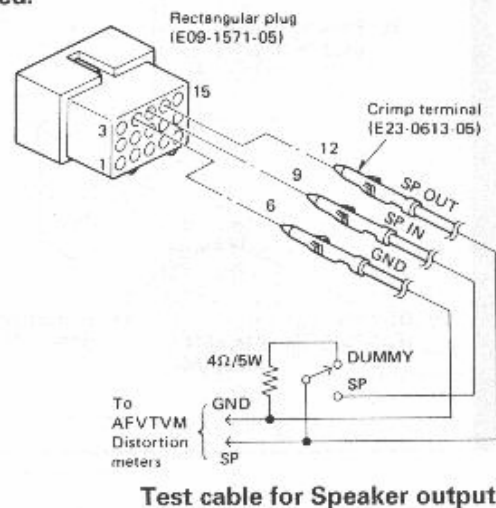
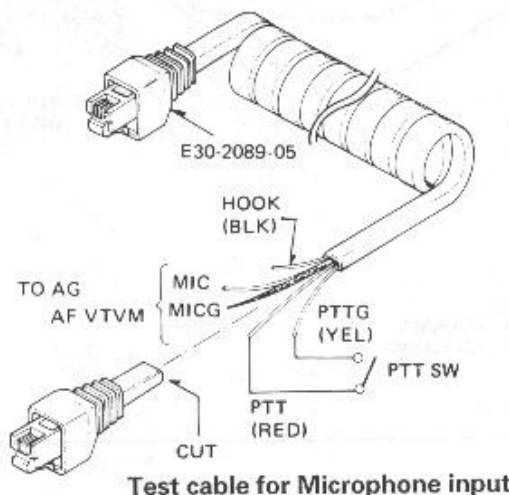
TKR-820 : K,K2,K3,K4,M,M2,M3,M4,M5,M6  
TKR-820N : M,M4  
TKR-820A : M,M4,M5,M6

#### MIC connector front view



- ① SB
- ② PTTG
- ③ PTT
- ④ MICG
- ⑤ MIC
- ⑥ HOOK

#### The following test cables are recommended.

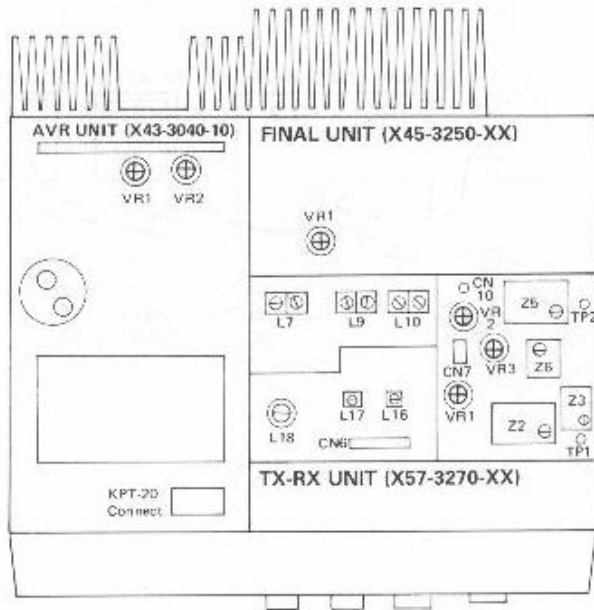




## ADJUSTMENT

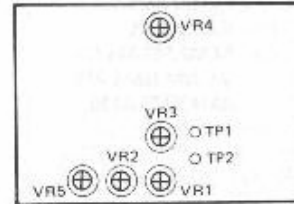
### Adjustment location

Top view

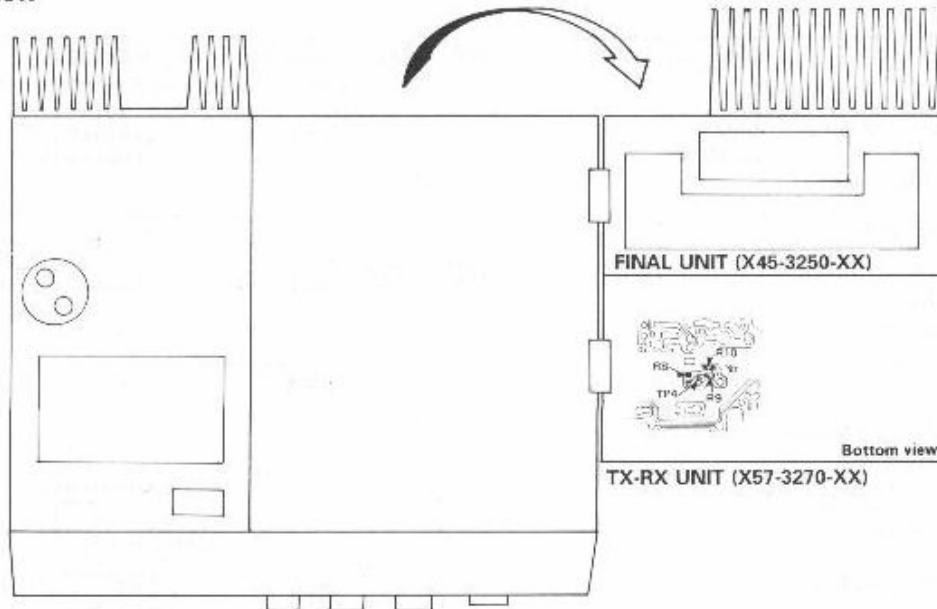


### Adjustment points

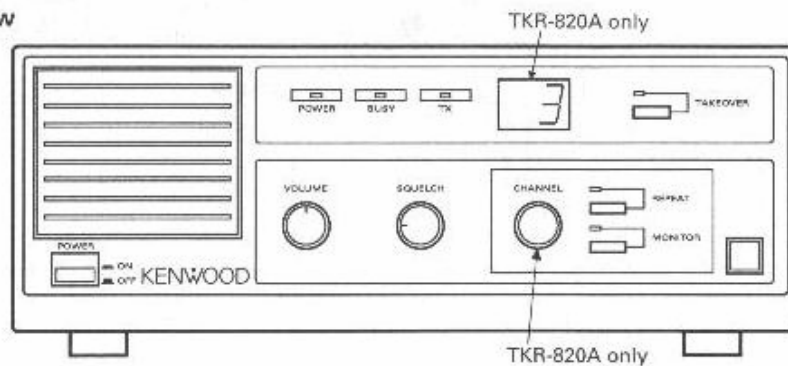
SIGNALING UNIT (X52-3140-XX)



### Bottom view



### Front panel view




# TKR-820/N/A

## ADJUSTMENT

### Alignment

Item	Condition	Measurement			Adjustment			Specifications/Remarks
		Test-equipment	Unit	Terminal	Unit	Parts	Method	
1. Setting	1) AC voltage for destination : 120V <b>K,K2,K3,K4</b> : 220V <b>M,M2,M3,M4,M5,                      M6,NM,NM4,AM,                      AM4,AM5,AM6</b> 2) Connect to the DC output (OUT terminal) and GND of the AVR unit (*).							
2. Test equipment set-up	1) Function : 0.1Ω resistor Meter : 80A, 60V DC : ON Power : ON SW1 : OFF							
3. Voltage setting	1) Power switch : ON	DVM	AVR	OUT	AVR	VR1	Adjust the load for 10A.	13.6V±0.4V (Verify power indicator lights.)
	2) Vary the load for 2A to 10A draw. (Set to 10A after check.)	DVM AF VTVM					Check	13.6V±0.7V DC Less than 30mV AC
	3) Power switch : OFF							
4. Protection	1) SW1 : ON VR2 : MAX CW. Power switch : ON	DVM	AVR	OUT	AVR	VR2	0.25V	±0.05V
	2) SW1 : OFF						Check	13.6V±0.4V
5. Setting	1) Write in frequency designed with EEPROM writer. (For frequency writing, set the power of TKR-820 to ON.) 2) Connect the power cable to the rear panel. 3) Final unit VR1 : MAX CCW. 4) TX-RX unit VR1, VR3 : MAX CCW. 5) Power switch : ON							

## ADJUSTMENT

Item	Condition	Measurement			Adjustment			Specifications/Remarks
		Test-equipment	Unit	Terminal	Unit	Parts	Method	
6. RX PLL lock voltage		DVM	TX-RX	TP1	TX-RX	Z2	4.5V	±0.5V
7. TX PLL lock voltage				TP2		Z5	4.5V	±0.5V
8. TCXO frequency adjustment	1) PTT : OFF (RX) <b>Note</b> : TCXO is adjusted precisely at 25°C. If it is readjusted, the frequency stability is changed. Do not touch it normally.	Power meter f. counter	TX-RX	TP4 (Foil side)	TX-RX	Z3	f - 21.4MHz	±100Hz
9. Power adjustment (APC)	1) PTT : ON	Power meter Ammeter	Rear panel	TX ANT	Final	VR1	MAX CW	28W or more
							MIN	2W or less
							26W	±1W
10. Transmit frequency	1) PTT : ON	Power meter f. counter	Rear panel	TX ANT	TX-RX	Z6	Adjust the transmit frequency	±350Hz
11. DQT waveform correction (For DQT use only)	1) Connect AG to the TX-RX (TP3) and enter a square wave of 100Hz, 2Vp-p. Deviation meter filter : OFF PTT : ON	Power meter Deviation meter Oscilloscope			TX-RX	VR3	Make the demodulation waveform neat.	
12. Tone deviation adjustment	1) QT and DQT tone frequency being written. Deviation meter filter LPF : 3kHz HPF : OFF De-emphasis : OFF PTT : ON	Power meter Deviation meter	Rear panel	TX ANT	Signaling	VR4	±0.75kHz (QT) +0.9kHz (DQT)	±100Hz
13. Maximum deviation adjustment	1) Connect AG to the MIC terminal. AG : 1kHz/50mV Deviation meter filter LPF : 20kHz HPF : 50Hz De-emphasis : 750µsec. TX-RX unit VR1 : MAX CW. PTT : ON				TX-RX	VR2	±4.4kHz (±4.9kHz in use of signaling.) Adjust one more than the other by switching between -P and +P.	±200Hz
14. MIC sensitivity adjustment	1) AG : 1kHz/5mV PTT : ON					VR1	±3.0kHz (±3.75kHz in use of signaling.)	±200Hz

# TKR-820/N/A

## ADJUSTMENT

Item	Condition	Measurement			Adjustment			Specifications/Remarks
		Test-equipment	Unit	Terminal	Unit	Parts	Method	
15. RX sensitivity adjustment		AF VTVM 4Ω dummy load	Rear panel	EXT. SP	Front panel	VOL.	0.78V/4Ω (Noise)	
		<p style="text-align: center;"><b>TKR-820</b></p>						
	1) SSG output : 500μV/-53dBm MOD : OFF	SSG AF VTVM Distortion meter 4Ω dummy load	Rear panel	EXT. SP	TX-RX	L7 L9 L10	Reduce noise level using L7, L9 and L10. Decrease the SSG output so that noise level is always 20 to 30dB lower than 0.45V. Repeat 3 to 4 times.	
	2) SSG output : 500μV/-53dBm MOD : 1kHz DEV : 3kHz					L18	Adjust for maximum AF output.	
	3) SSG output : 0.32μV/-117dBm					L16 L17	Adjust for maximum SINAD.	
	4) SSG output : 500μV/-53dBm				Front panel	VOL.	0.45V/4Ω	
							Check	SINAD 12dB or more.
					Front panel	VOL.	4.0V/4Ω	
							Check	S/N 45dB or more. Distortion : 5% or less.
16. Squelch	1) SSG output : OFF Rotate SQL VR to a point at which noise disappears.	SSG AF VTVM 4Ω dummy load	Rear panel	EXT. SP			Check	SQL index angle 8 : 00 - 10 : 00
	2) SSG output : 124dBm	Oscilloscope						Squelch should open.
17. Preset squelch adjustment	1) Signaling unit VR1 to VR5 : MAX CCW. SSG output : OFF	SSG			Signaling	VR1	Check MAX CW.	D7 : LED should light. D7 : LED should go out.
	2) SSG output : 0.19μV/-121.5dBm <b>K, K2, K3, K4, M, M2, M3, M4, NM, NM4, AM, AM4</b> SSG output : 12dB SINAD sensitivity -3dB. <b>M5, M6, AM5, AM6</b>						Rotate VR1 CCW, to a point at which D7 lights.	

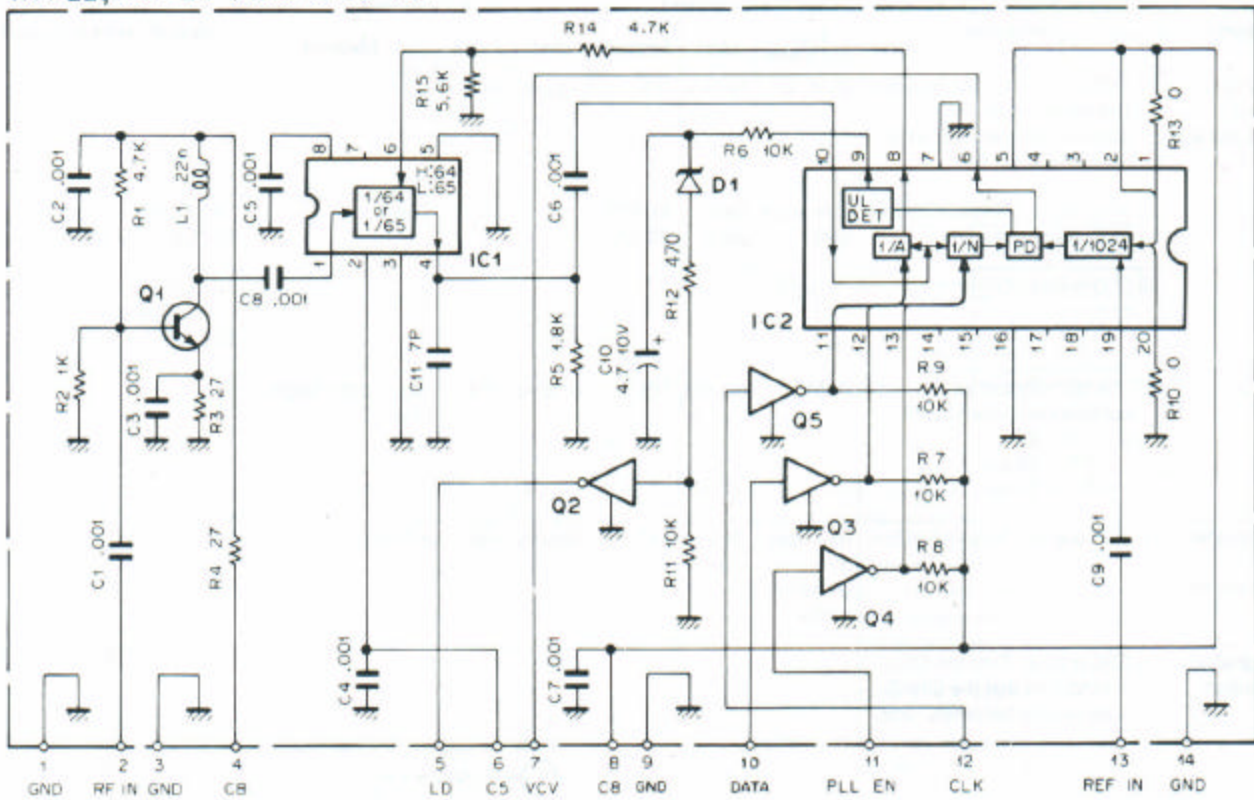
## ADJUSTMENT

Item	Condition	Measurement			Adjustment			Specifications/Remarks
		Test-equipment	Unit	Terminal	Unit	Parts	Method	
18. Hangup timer adjustment	1) SSG output : 1.59 $\mu$ W/-103dBm The set time can be continuously varied by VR2. 0 ~ 5V $\rightarrow$ 0 ~ 5 sec.	DVM	Signaling	TP2	Signaling	VR2	1.0V	$\pm$ 0.1V
	2) SSG output : 501 $\mu$ W/-53dBm REPEAT switch : ON	Power meter SSG	Rear panel	TX ANT RX ANT			Check	TX LED should light. REPEAT LED should light.
	3) SSG output : OFF							TX LED should go out about 1 sec. later after turning SSG OFF.
19. T.O.T	1) The set time can be continuously varied by VR3. 0 ~ 0.3V : OFF ~ 0.5V : 30 sec. ~ 5V : ~ 5 min.	DVM	Signaling	TP1	Signaling	VR3	Set it to the target time.	
20. Repeater TX deviation	1) SSG output : 501 $\mu$ W/-53dBm	Power metr SSG Deviation meter	Rear panel	EXT. SP	Signaling	VR5	$\pm$ 3.0kHz	$\pm$ 100Hz
21. Signaling squelch	1) SSG output : Turn the SSG output so that the SINAD sensitivity becomes 10dB.							
	2) SSG MOD SW : EXT. MOD AG1 : 1kHz AG2 : QT tone frequency							
	3) AG1 : Power switch OFF AG2 output : Adjust the output level of AG2 so that the SSG deviation becomes 0.75kHz.							
	4) AG1 : Power switch ON AG1 output : Adjust the output level of AG1 so that the SSG deviation becomes 3.75kHz. (i.e., QT tone frequency/ 0.75kHz deviation, +1kHz/3kHz deviation) MONITOR switch : OFF							
		Rear panel	EXT. SP				Check	Open.
22. TAKEOVER	1) TAKEOVER switch : ON						Check	The TAKEOVER LED should light.

# TKR-820/N/A PC BOARD VIEWS / CIRCUIT DIAGRAM

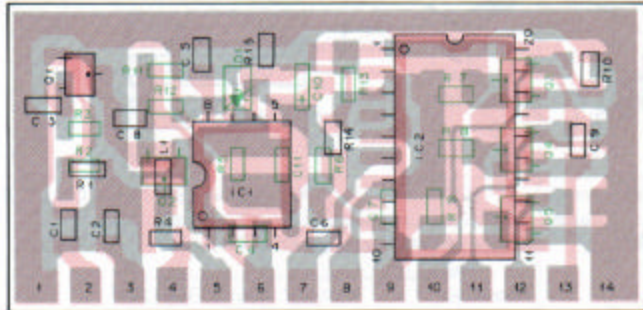
RX PLL : Z1, TX PLL : Z4 (X58-3120-10)

TX PLL, RX PLL (X 58-3120-10)

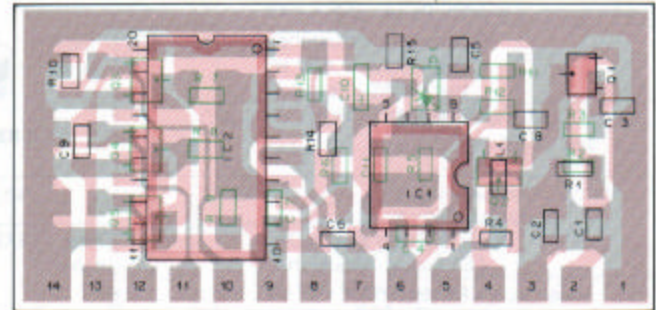


- Q1 : 2SC3829TS  
 Q2, 3, 4, 5 : DTC114EK  
 IC1 : MB504F  
 IC2 : JLC1075DW  
 D1 : RD3.0M-B2

Component side view



Foil side view



- : Component side  
 ■ : Foil side

2SC3099  
 2SC3356  
 2SC3829TS  
 DTC114EK



2SK508NV



MB504F



JLC1075DW

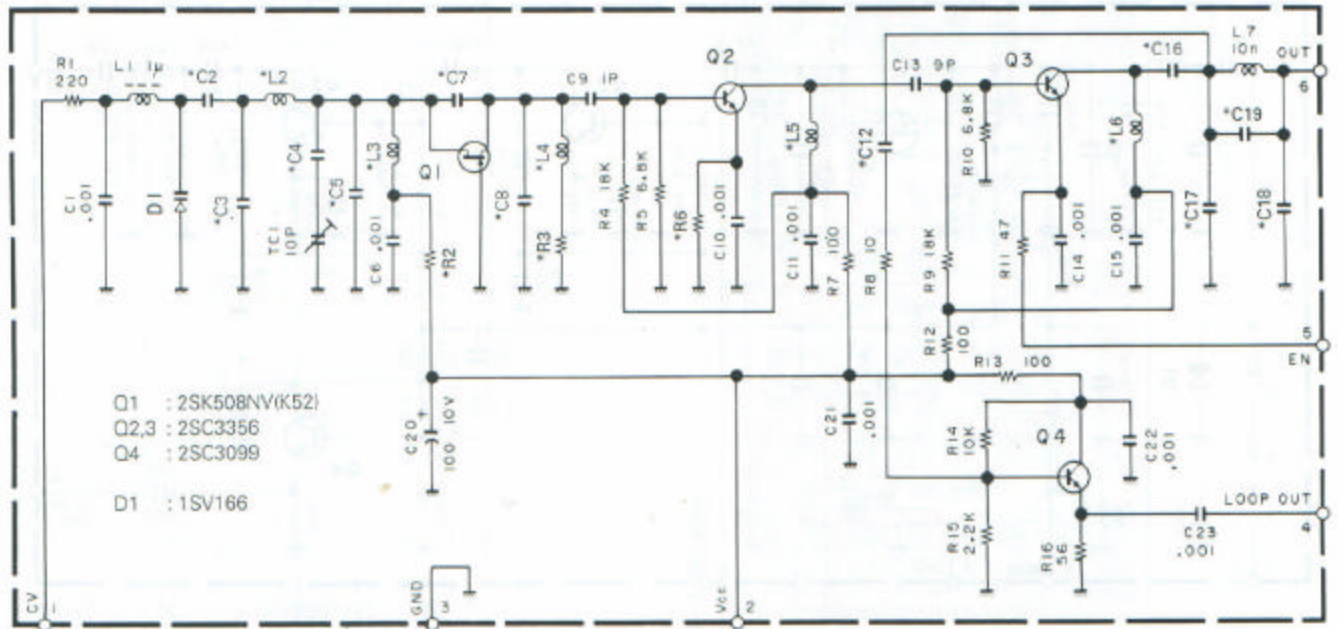


# PC BOARD VIEWS / CIRCUIT DIAGRAM TKR-820/N/A

RX VCO : Z2 (X58-3150-XX)

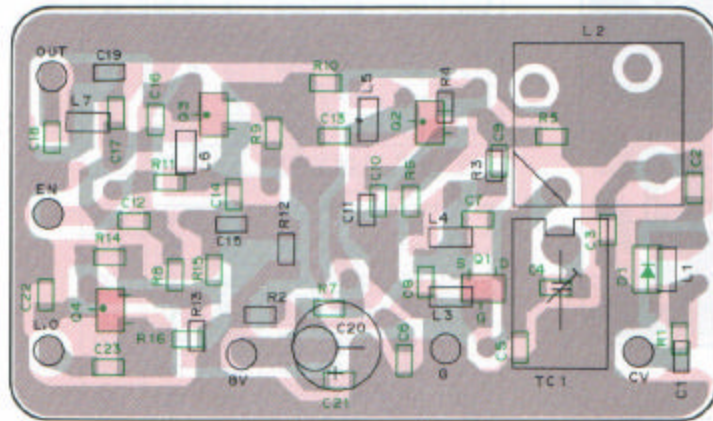
-13 : K3,M3 -14 : K4,M4,NM4,AM4 -15 : K,M,NM,AM -16 : K2,M2 -17 : M5,AM5 -18 : M6,AM6

RX VCO (X58-3150-XX)

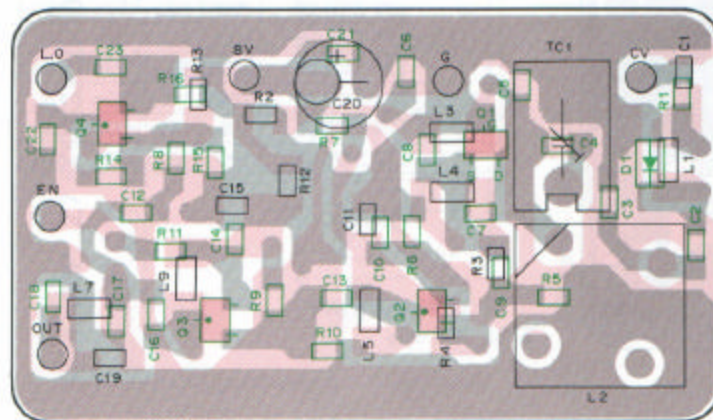


- Q1 : 2SK508NV(K52)
- Q2,3 : 2SC3356
- Q4 : 2SC3099
- D1 : 1SV166

Component side view



Foil side view



	R2	R3	R6	C2	C3	C4	C5
-13	220	100	100	10P	5P	9P	2P
-14	220	100	100	18P	6P	33P	1P
-15	220	100	100	11P	6P	27P	2P
-16	220	100	100	10P	5P	12P	3P
-17	47	47	47	10P	5P	33P	1P
-18	27	47	100	10P	3P	33P	1P

	C7	C8	C12	C16	C17	C18	C19
-13	7P	7P	3P	3P	10P	10P	4P
-14	9P	15P	3P	5P	10P	10P	4P
-15	10P	10P	3P	3P	10P	10	4P
-16	8P	8P	3P	3P	10P	10P	4P
-17	8P	8P	10P	10P	15P	15P	5P
-18	7P	7P	10P	8P	15P	15P	5P

	L2	L3	L4	L5	L6
-13	L34-2304-05	100n	100n	22n	18n
-14	L34-2375-05	180n	180n	22n	18n
-15	L34-2304-05	100n	100n	22n	18n
-16	L34-2304-05	100n	100n	22n	18n
-17	L34-2375-05	180n	180n	39n	18n
-18	L34-2375-05	180n	180n	33n	22n

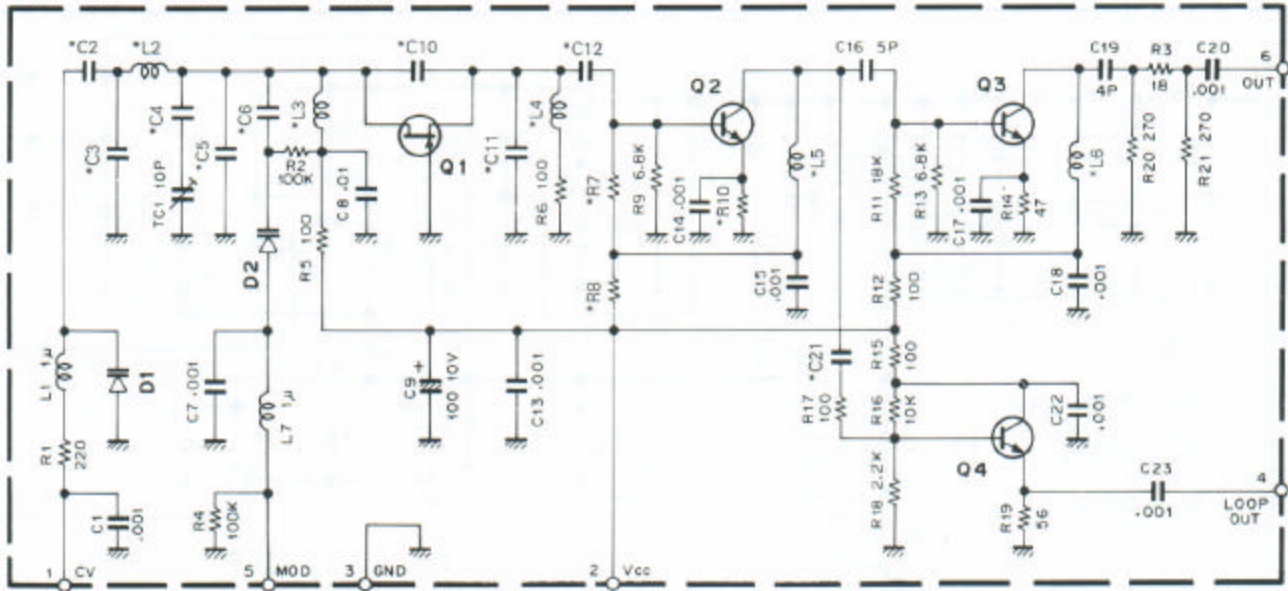
Component side  
Foil side

# TKR-820/N/A PC BOARD VIEWS / CIRCUIT DIAGRAM

TX VCO : Z5 (X58-3460-XX)

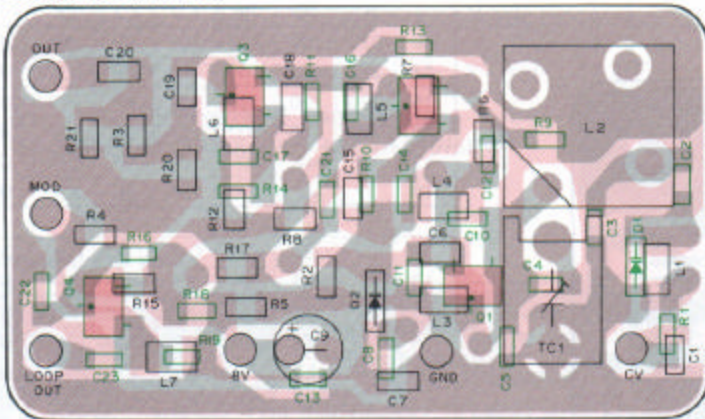
-10 : K,M,NM,AM -11 : K2,M2 -12 : K3,M3 -13 : K4,M4,NM4,AM4 -14 : M5,AM5 -15 : M6,AM6

TX VCO (X58-3460-XX)

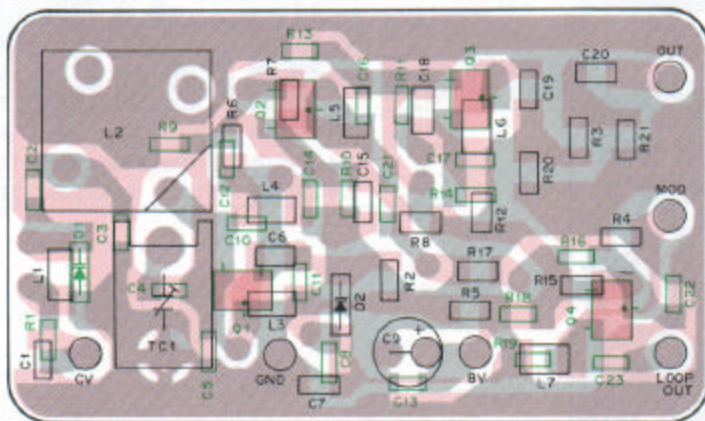


Q1 : 2SK508NVIK521  
Q2-4 : 2SC3356  
D1 : 1SV166  
D2 : 1SV164

Component side view



Foil side view



	C2	C3	C4	C5	C6	C10
-10	10P	5P	47P	1P	0.5P	8P
-11	10P	4P	22P	0.5P	0.75P	8P
-12	8P	3P	22P	-	0.75P	7P
-13	12P	5P	33P	1P	1P	10P
-14	10P	4P	22P	-	0.75P	6P
-15	10P	1.5P	22P	-	0.75P	6P

	C11	C12	C21	R7	R8	R10
-10	8P	0.5P	1P	18K	100	100
-11	8P	0.5P	1P	18K	100	100
-12	7P	0.5P	1P	3.9K	47	47
-13	10P	1.5P	4P	18K	100	100
-14	6P	1.5P	4P	18K	100	100
-15	5P	1.5P	4P	18K	100	100

	L2	L3	L4	L5	L6
-10	L34-2304-05	100n	100n	22n	18n
-11	L34-2304-05	100n	100n	22n	18n
-12	L34-2304-05	100n	100n	22n	18n
-13	L34-2375-05	180n	180n	22n	18n
-14	L34-2375-05	180n	180n	33n	33n
-15	L34-2375-05	180n	180n	33n	39n

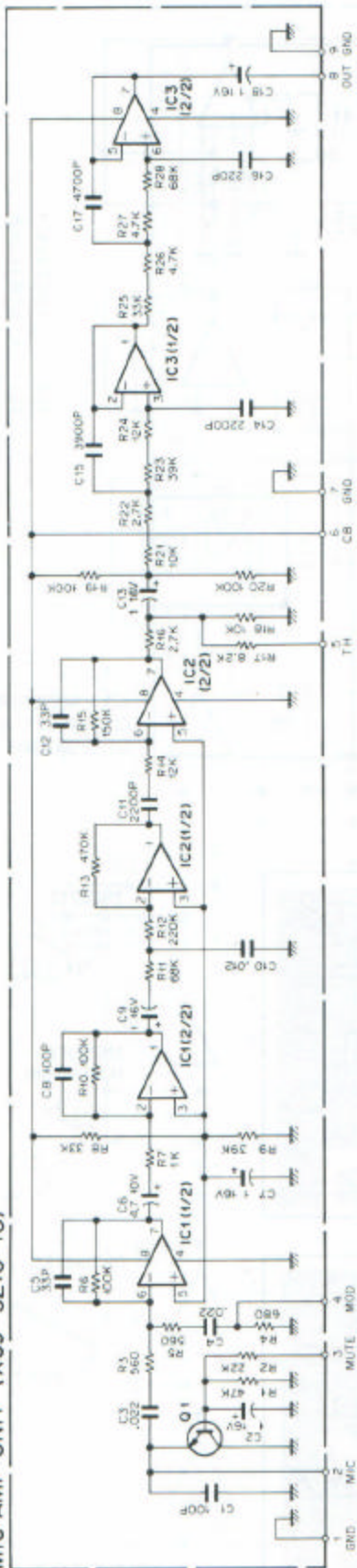
Component side  
Foil side



# PC BOARD VIEWS / CIRCUIT DIAGRAM TKR-820/N/A

MIC AMP : Z7 (X59-3210-10)

MIC AMP UNIT (X59-3210-10)



Q1 : 2SC3326(A) IC1 : NJM4560M IC2, 3 : NJM4558M

2SC3326  
2SC3356



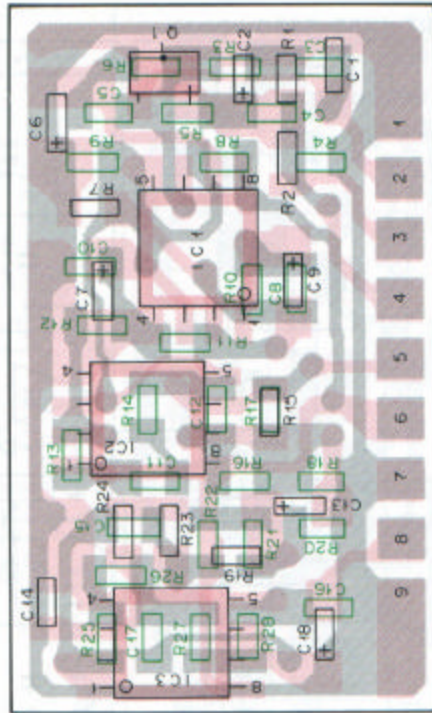
2SK508NV



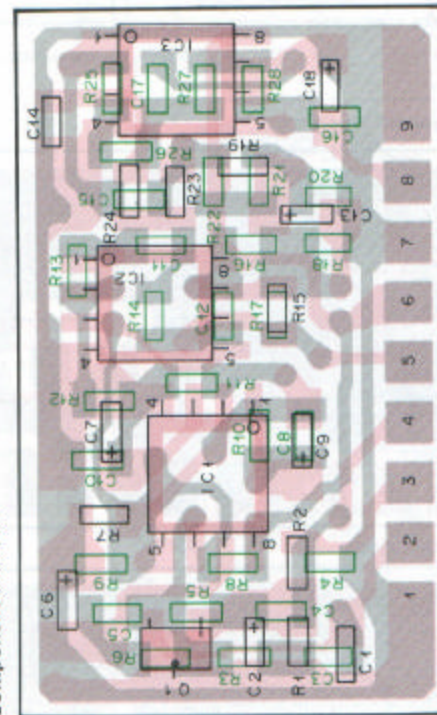
NJM4558M  
NJM4560M



Foil side view



Component side view

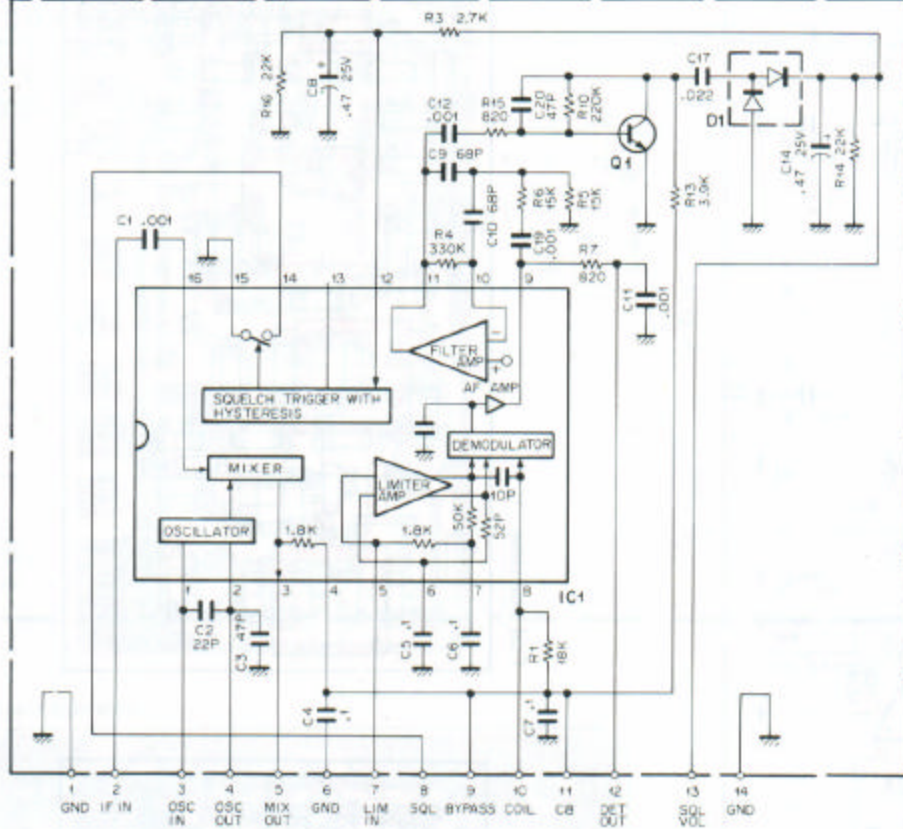


□ : Component side  
□ : Foil side

# TKR-820/N/A PC BOARD VIEWS / CIRCUIT DIAGRAM

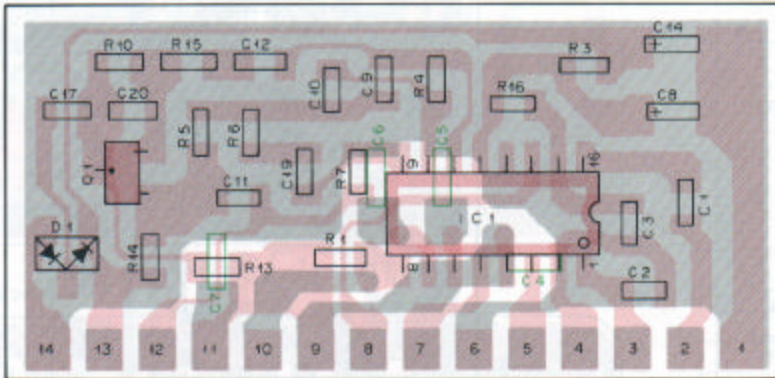
IF : Z8 (X59-3220-10)

IF UNIT (X59-3220-10)



IC1 : MC3361BD  
Q1 : 2SC2712(Y)  
D1 : DA204K

Component side view



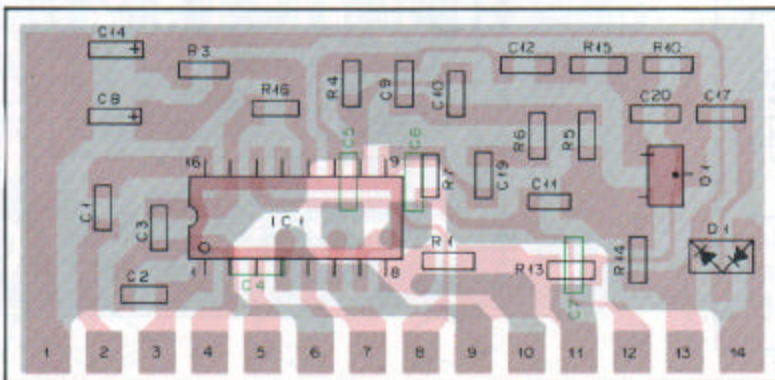
2SC2712



M5222FP  
NJM4558M



Foil side view



MC3361BD

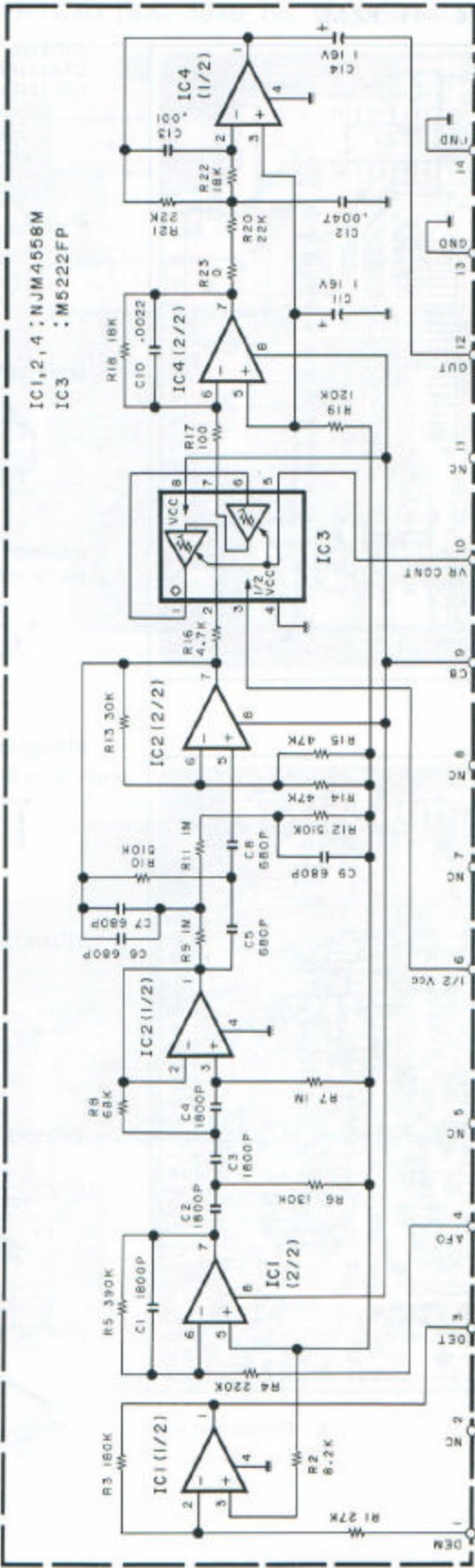


■ : Component side  
■ : Foil side

# PC BOARD VIEWS / CIRCUIT DIAGRAM TKR-820/N/A

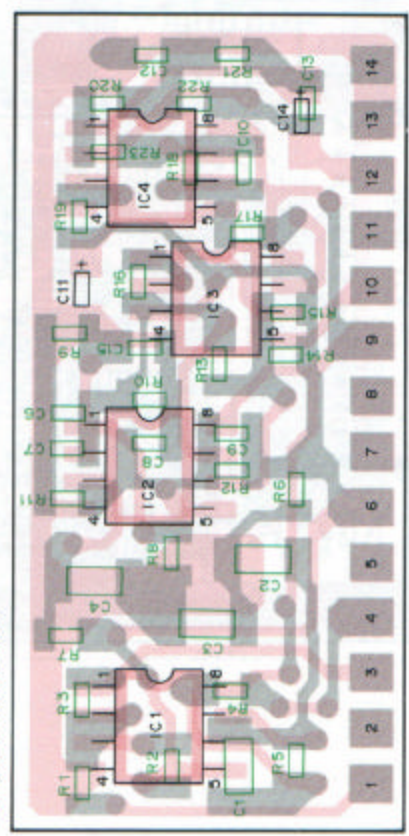
**BPF/VCA : Z9 (X59-3230-10)**

**BPF/VCA ( TX-RX UNIT : Z9 ) ( X59 - 3230 - 10 )**

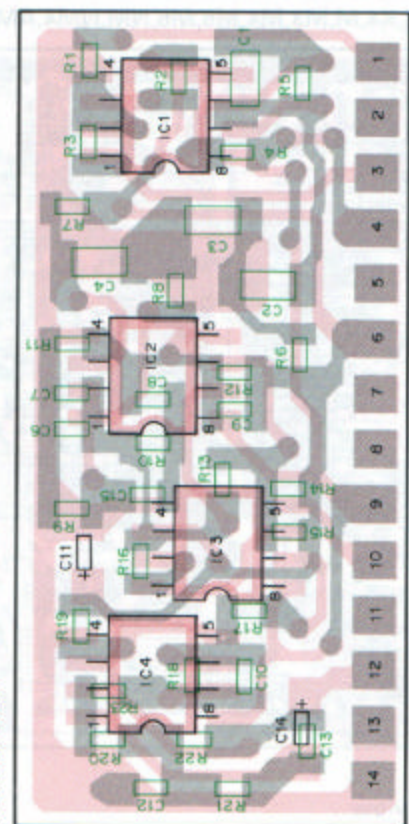


IC1, 2, 4 : NJM4558M  
IC3 : M5222FP

Component side view



Foil side view

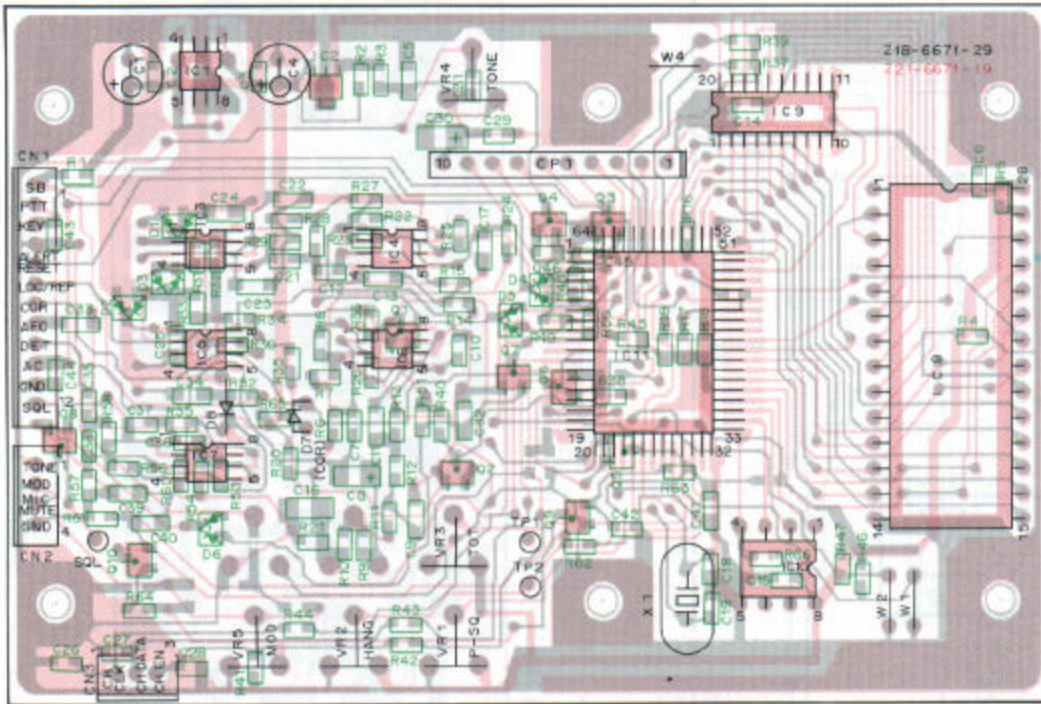


■ : Component side  
□ : Foil side

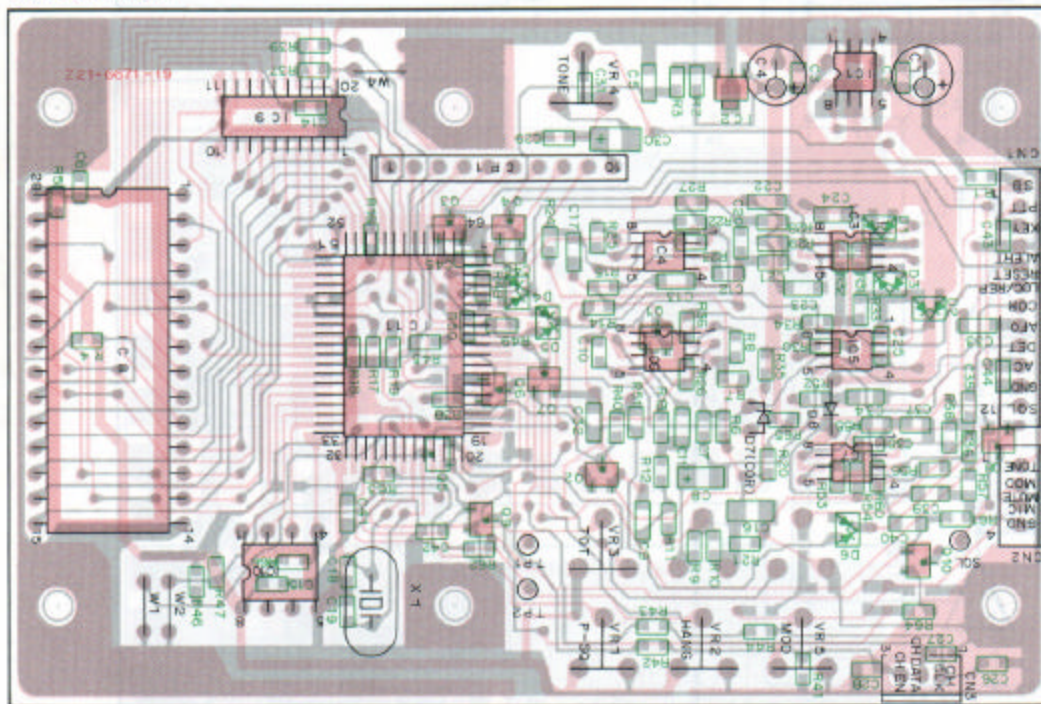
# TKR-820/N/A PC BOARD VIEWS

SIGNALING UNIT (X52-3140-XX) Component side view

-10 : K,K3,K4,M,M3,M4,M5,M6,NM,NM4,AM,AM4,AM5,AM6 -11 : K2,M2



Foil side view



Component side  
Foil side

2SC3326  
DTA114EK  
DTC144EK



2SJ106



M51943BML



BA4558F  
MC78L05M



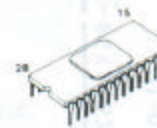
BR93CS46-EZ



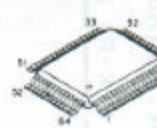
TC74HC573AF



27C256QJESB

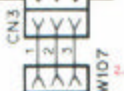
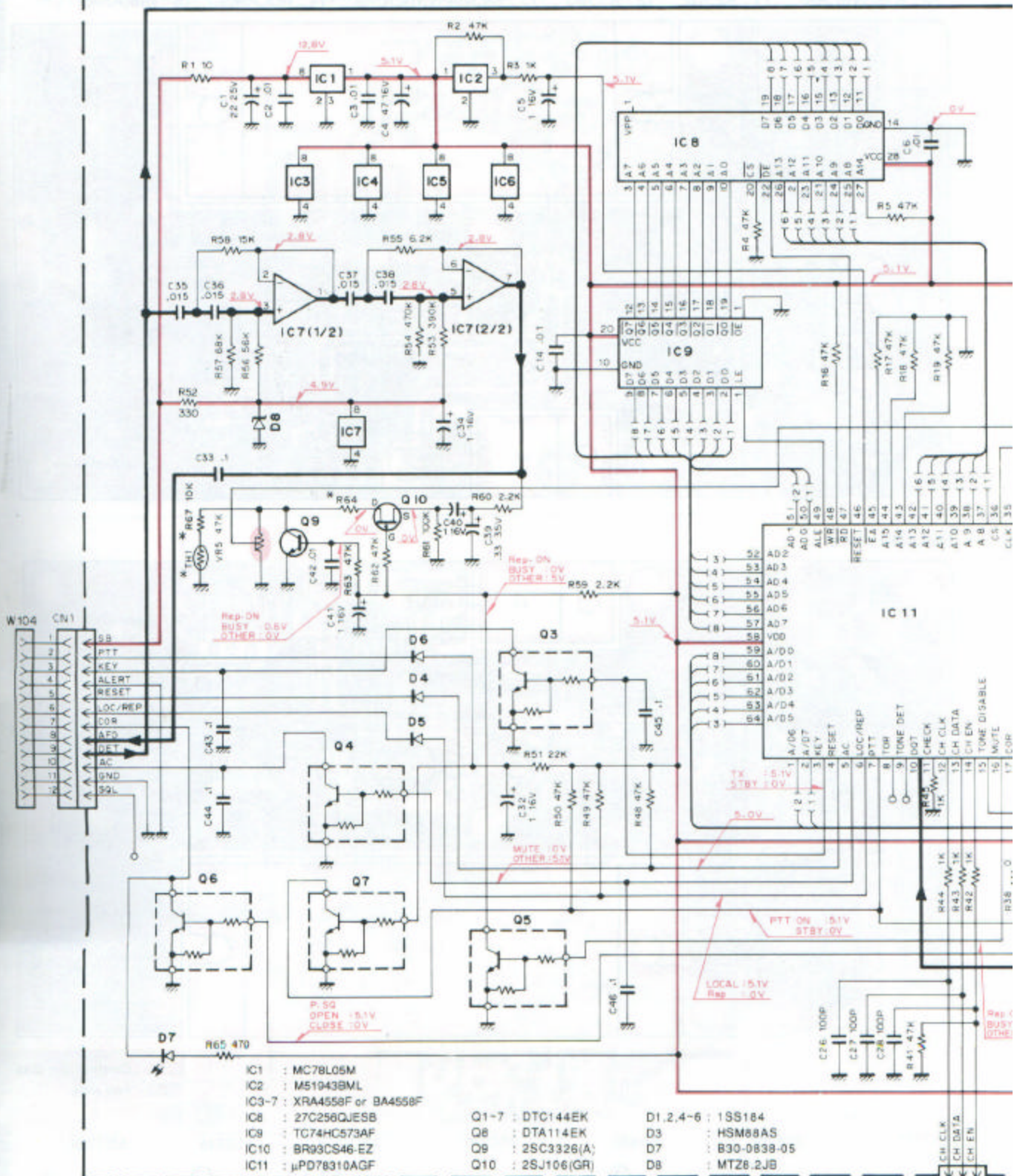


μPD78310AGF

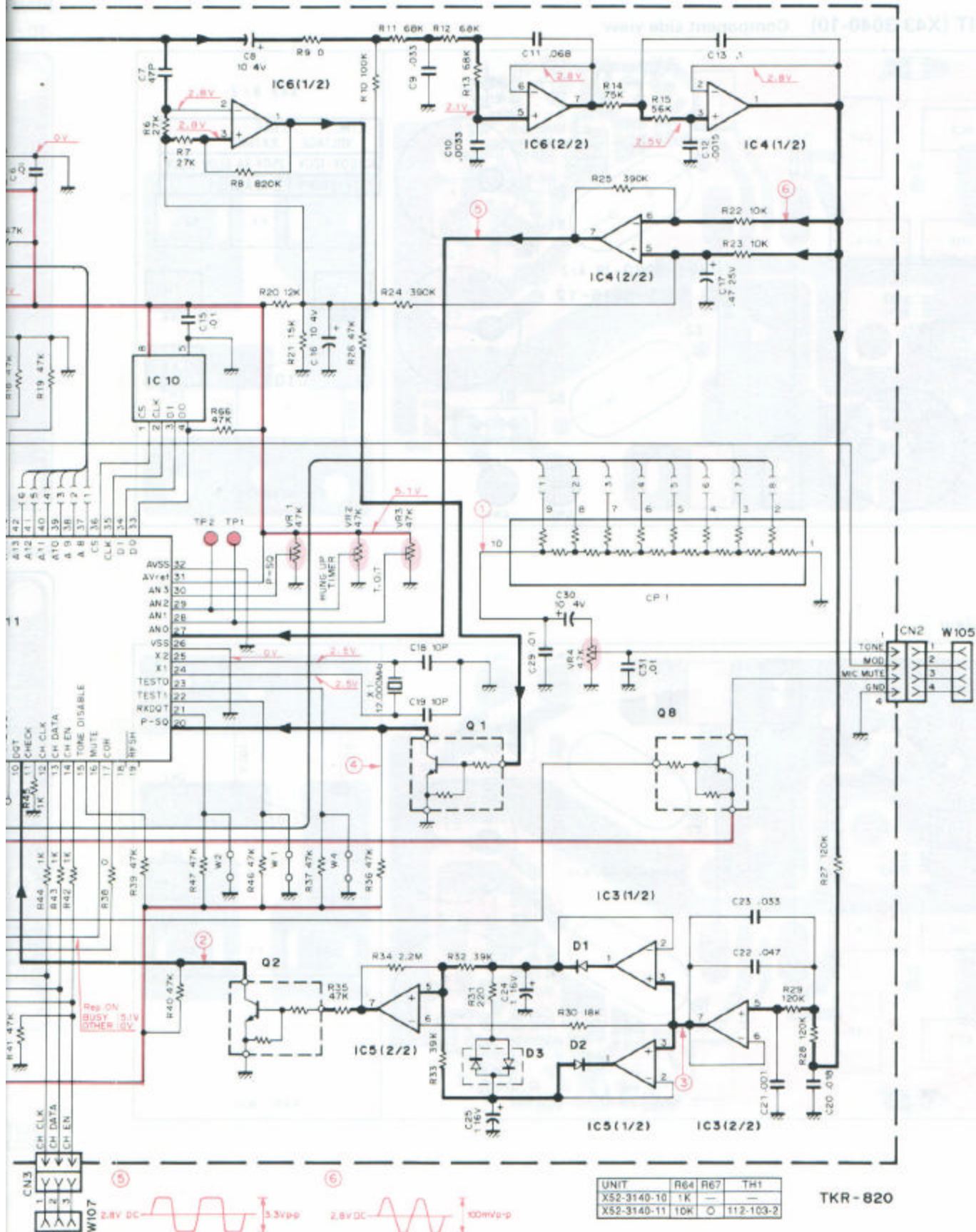


# SIGNALING UNIT (X52-3140-XX)

## SIGNALING UNIT (X52-3140-XX)

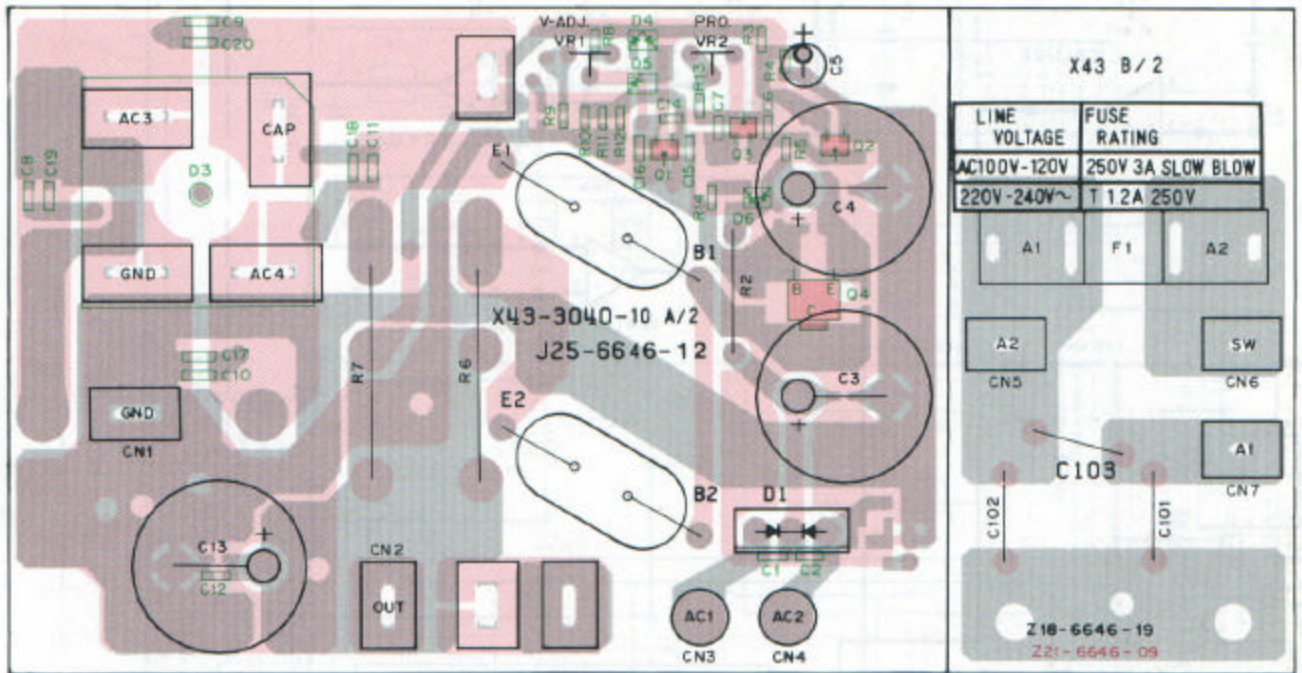


# CIRCUIT DIAGRAM TKR-820/N/A

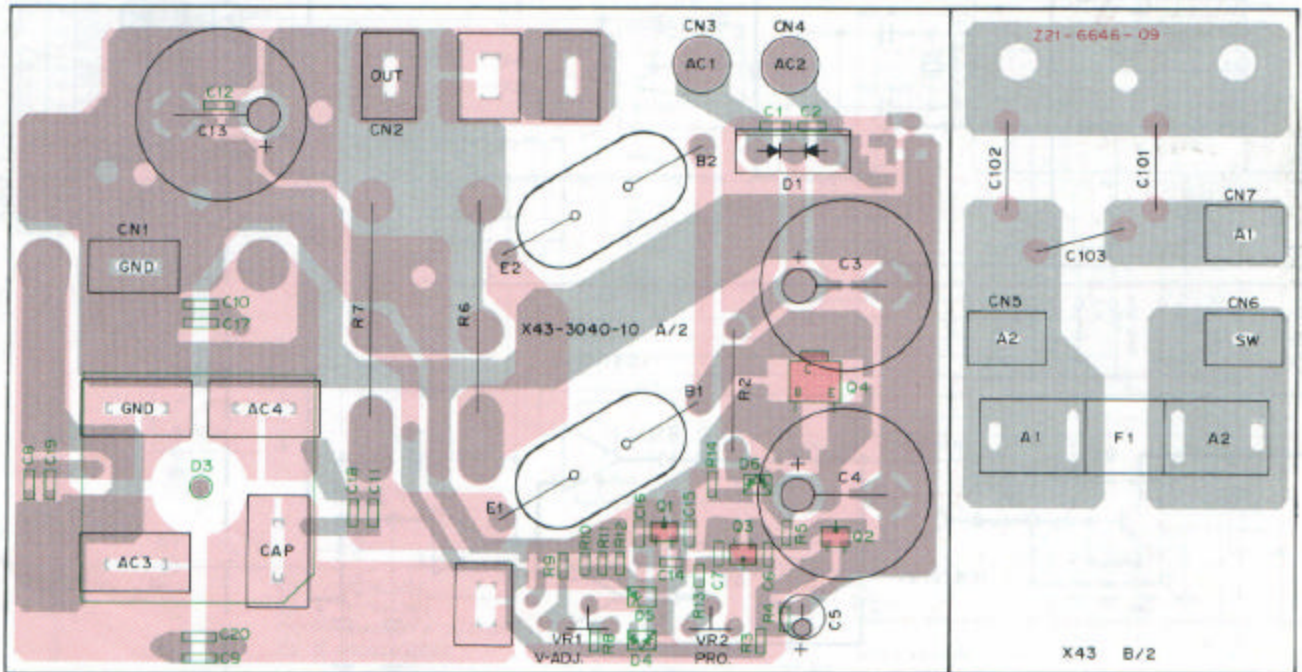


# TKR-820/N/A PC BOARD VIEWS

## AVR UNIT (X43-3040-10) Component side view

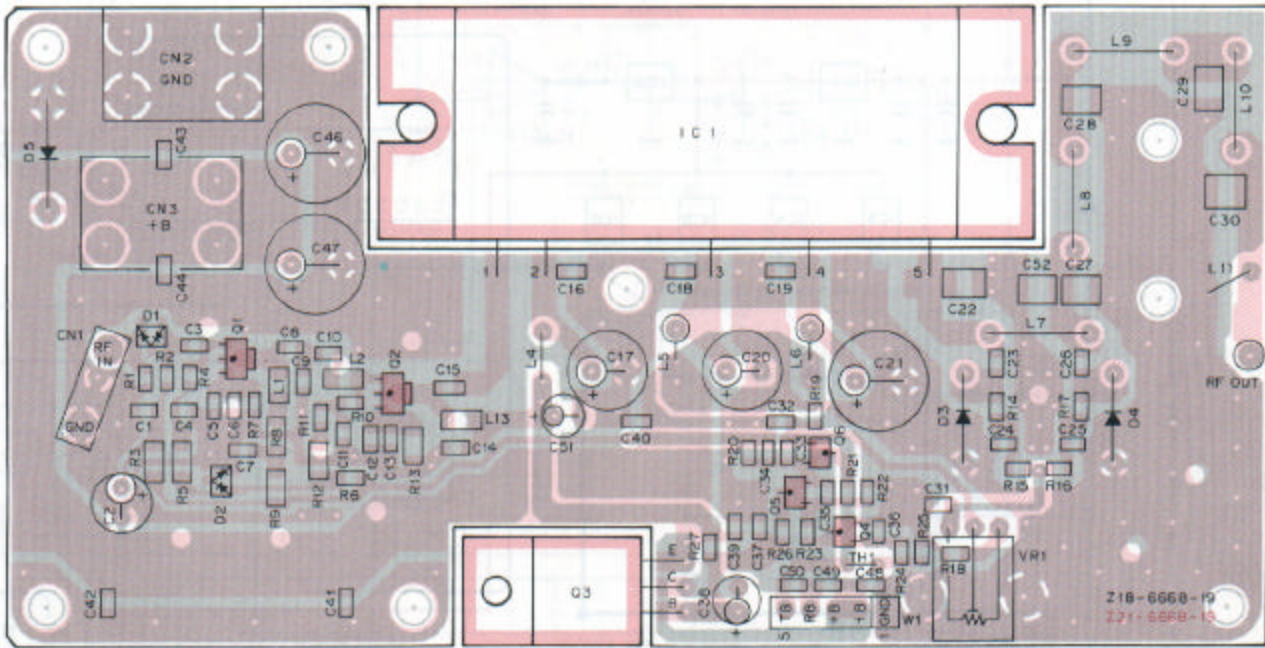


## Foil side view

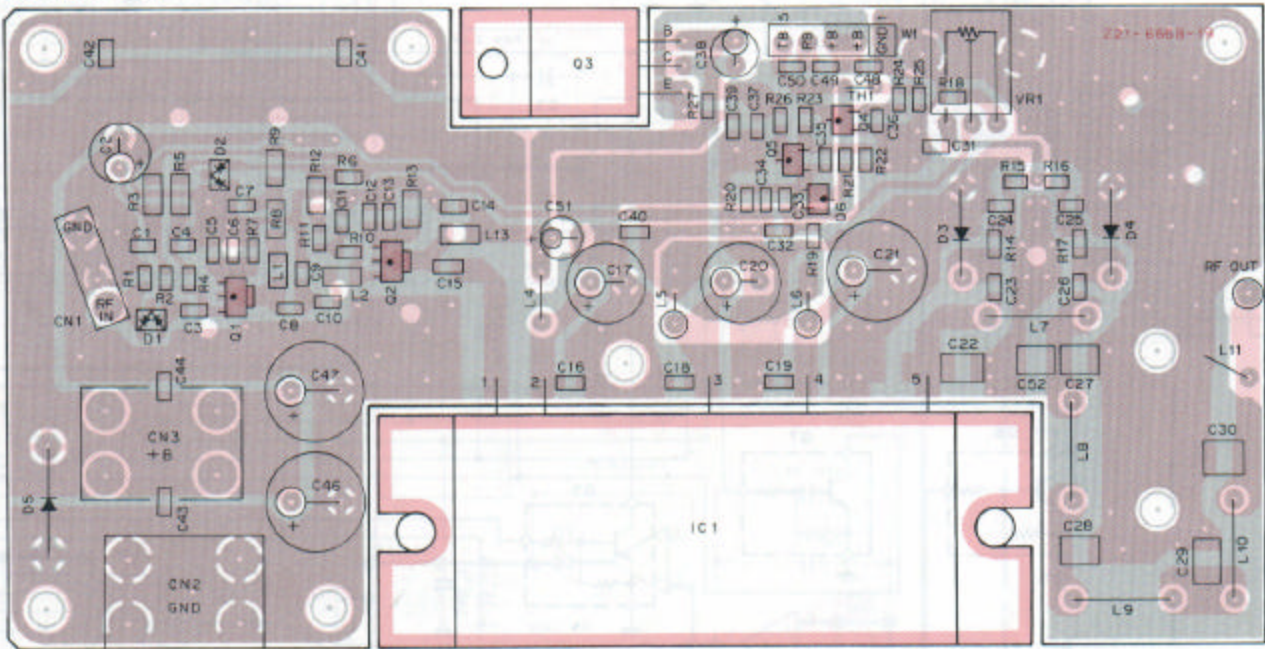


**FINAL UNIT (X45-3250-XX) Component side view**

-10 : K,M,NM,AM -11 : K2,M2 -12 : K3,M3 -13 : K4,M4,NM4,AM4 -14 : M5,AM5 -15 : M6,AM6



**Foil side view**



■ : Component side  
■ : Foil side

2SC2712  
2SC3326



2SB968



2N5885



2SC3357



2SC2954



2SB946



M57729

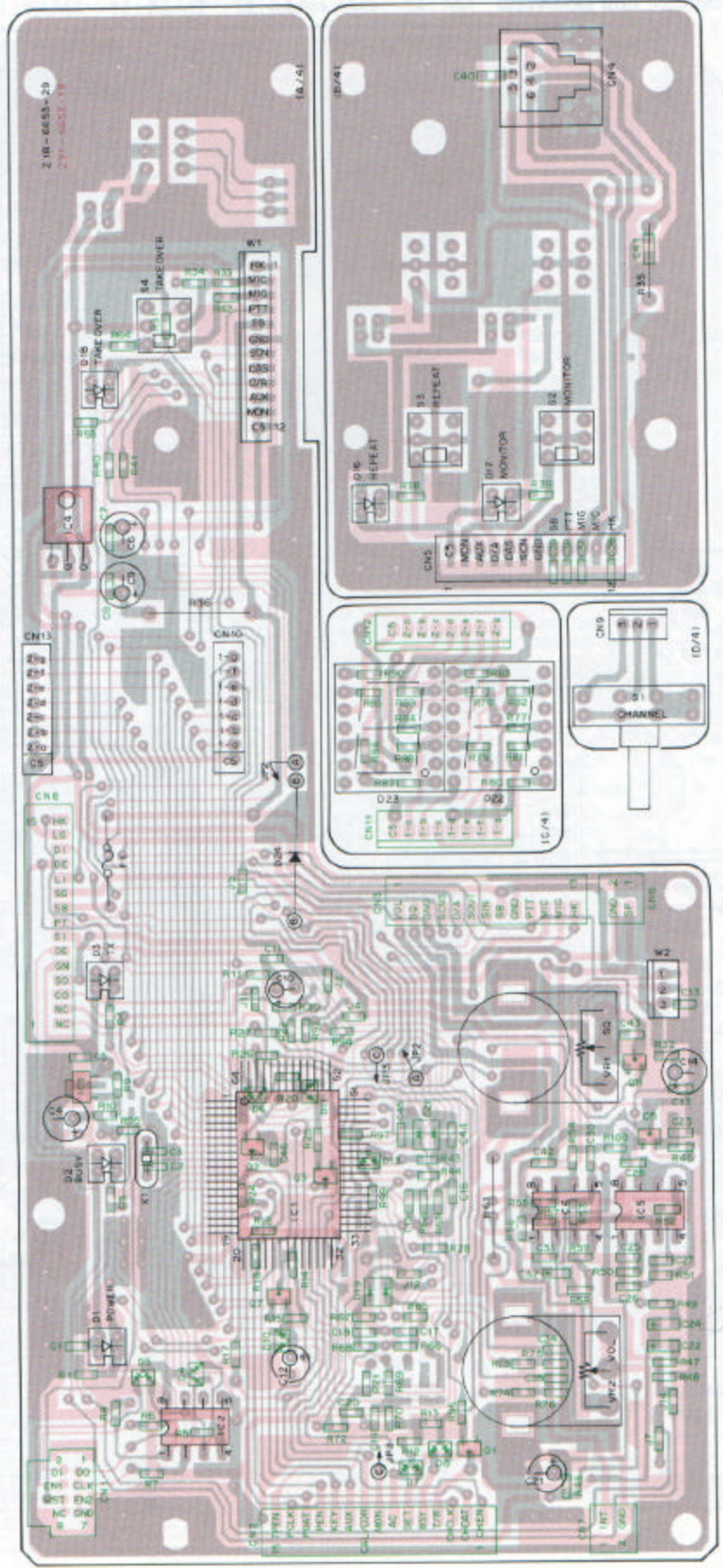




# TKR-820 VHS VCR

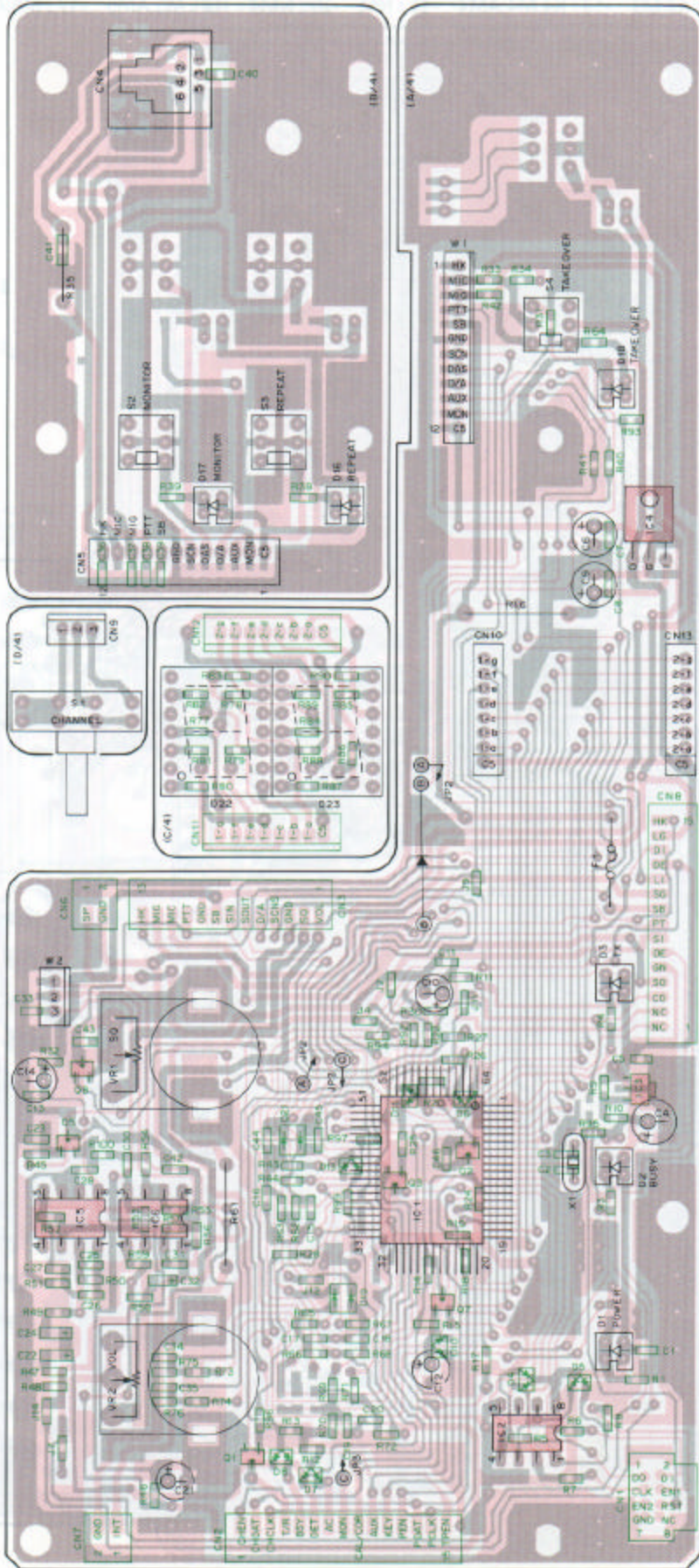
## DISPLAY UNIT (X54-3070-XX) Component side view

-11 : K,K2,K3,K4,M,M2,M3,M4,M5,M6,NM,NM4 -13 : AM,AM4,AM5,AM6



# PC BOARD VIEWS TKR-820/N/A

Foil side view



2SA1162  
2SC3326  
DTC114EK



AN78N05



M51943BML



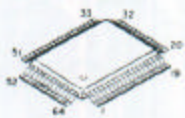
BR93CS46-EZ



μPC4558C



75104G-604-1B

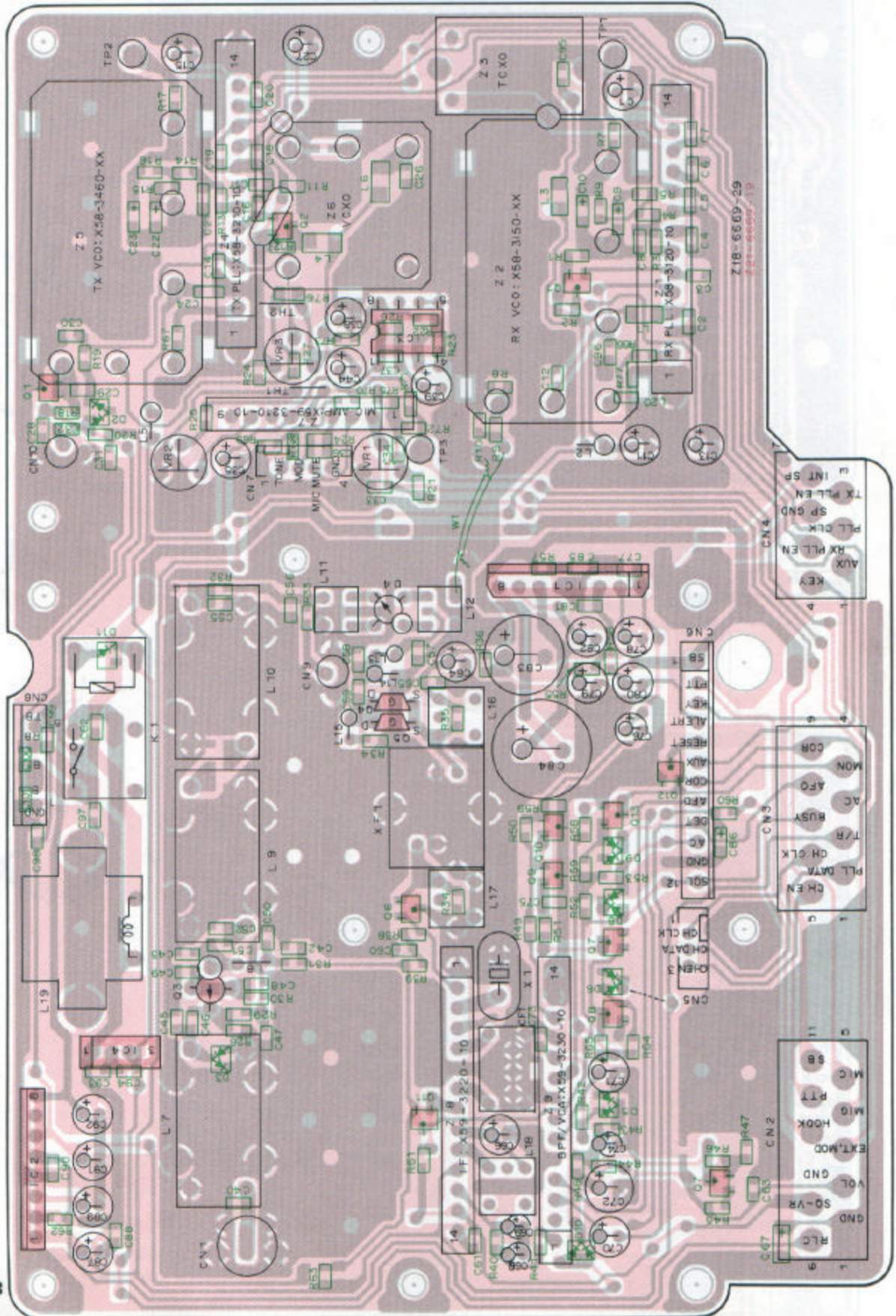


— : Component side  
— : Foil side

# TKR-820/N/A PC BOARD VIEWS

TX-RX UNIT (X57-3270-XX) Component side view

-10 : K,M,AM -11 : K2,M2 -12 : K3,M3 -13 : K4,M4,AM4 -14 : NM -15 : NM4 -16 : M5,AM5 -17 : M6,AM6



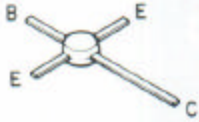
Foil side view

Component side  
Foil side

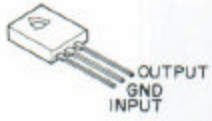
2SC2712  
2SC3326  
DTC114EK



2SC3358K



L78N08



2SK302



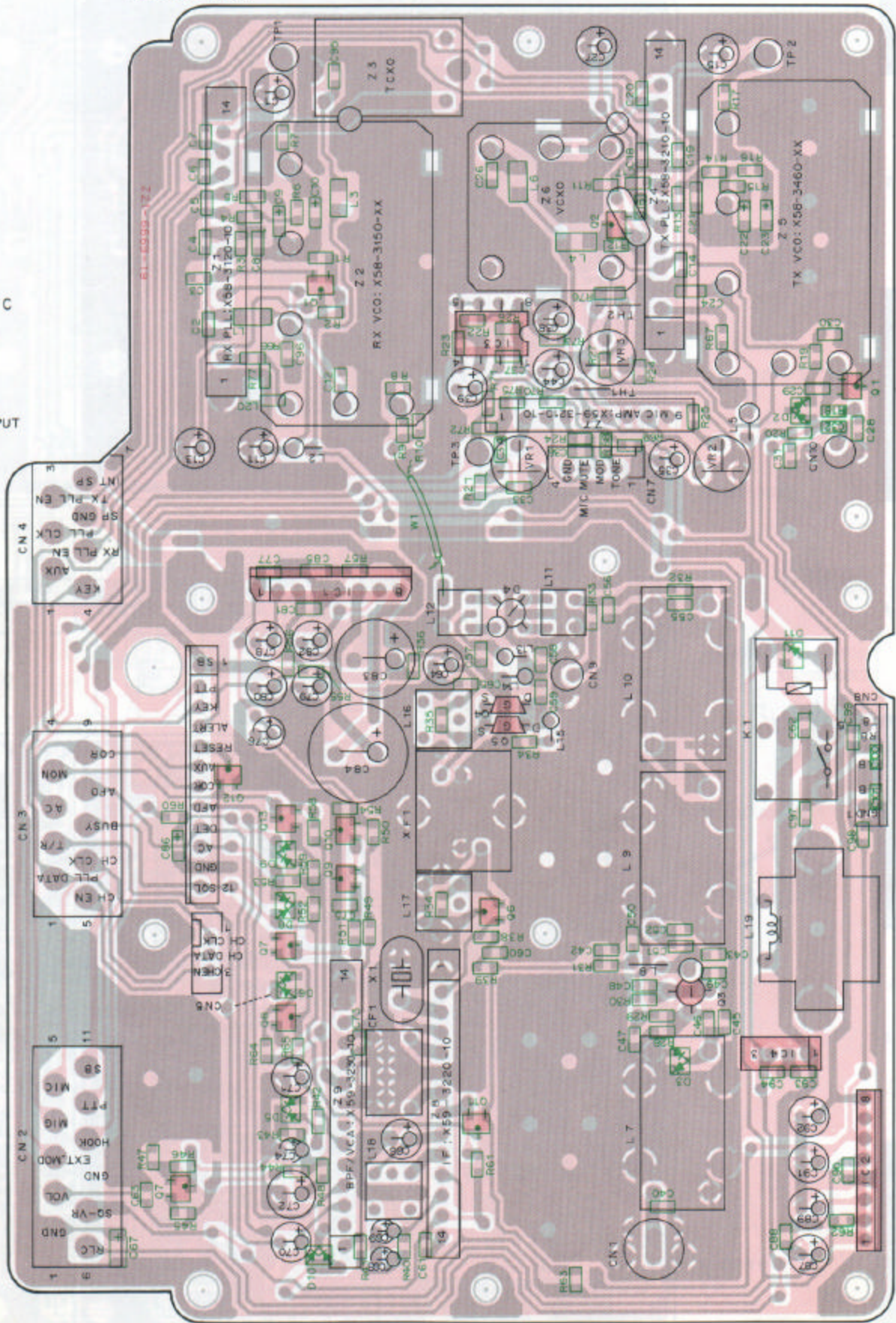
NJM4558D



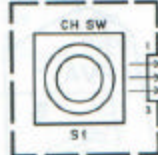
MB3756  
µPC1242H



2SK125

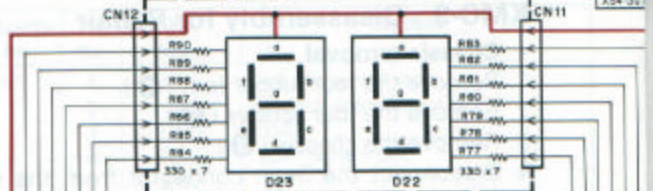


(X54-3070-13) (D/4)



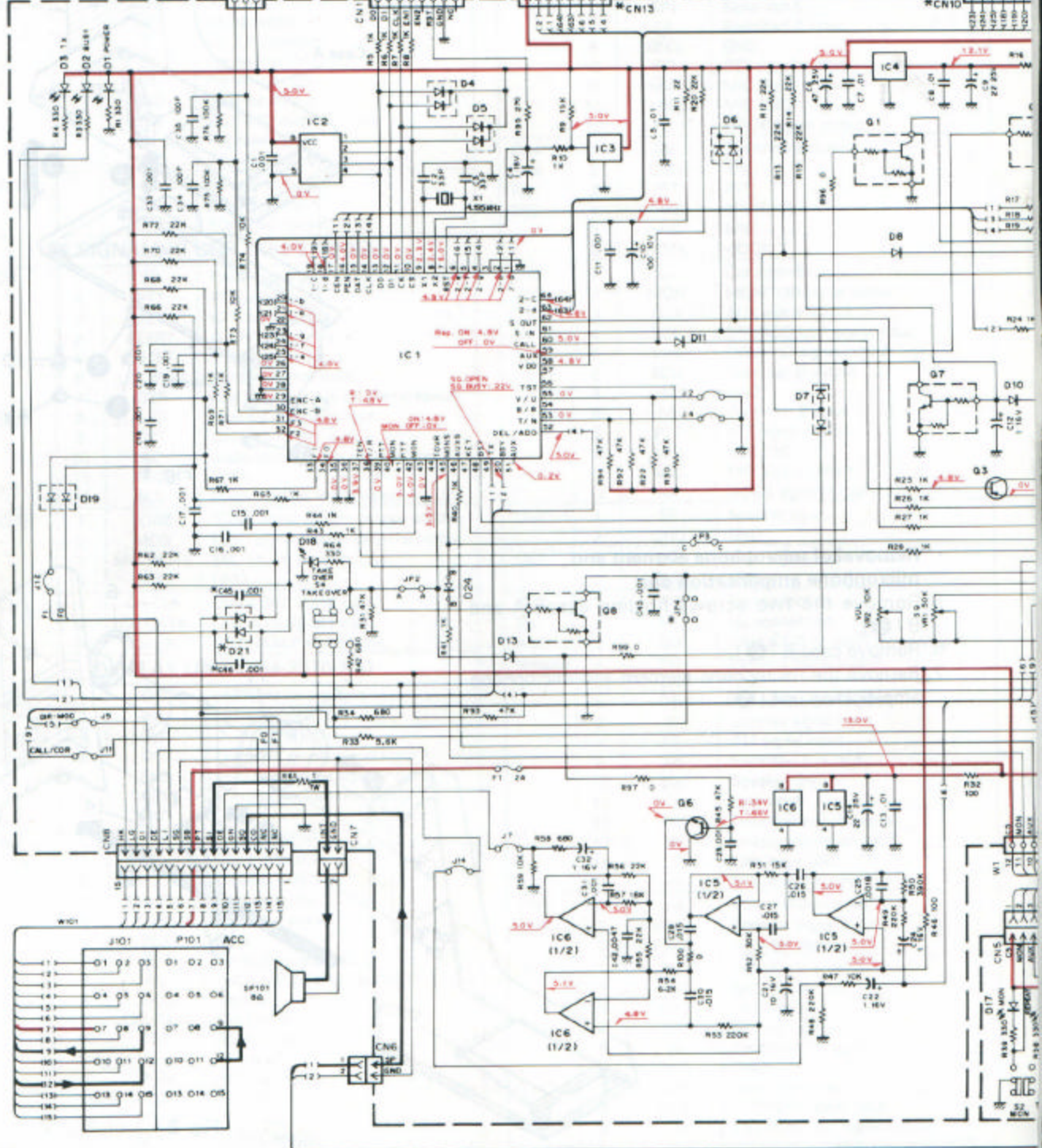
- IC1 : 751040-804-1B
- IC2 : BR93CS46-EZ
- IC3 : M51943BML
- IC4 : AN78N05
- IC5,6 :  $\mu$ PC4558C
- Q1,2,7,8 : DTC114EK
- Q3 : 2SA1162(Y)
- Q8 : 2SC3326(A)

(X54-3070-13) (C/4)



UNIT
X54-301
X54-311

DISPLAY UNIT (X54-3070-XX) (A/4)

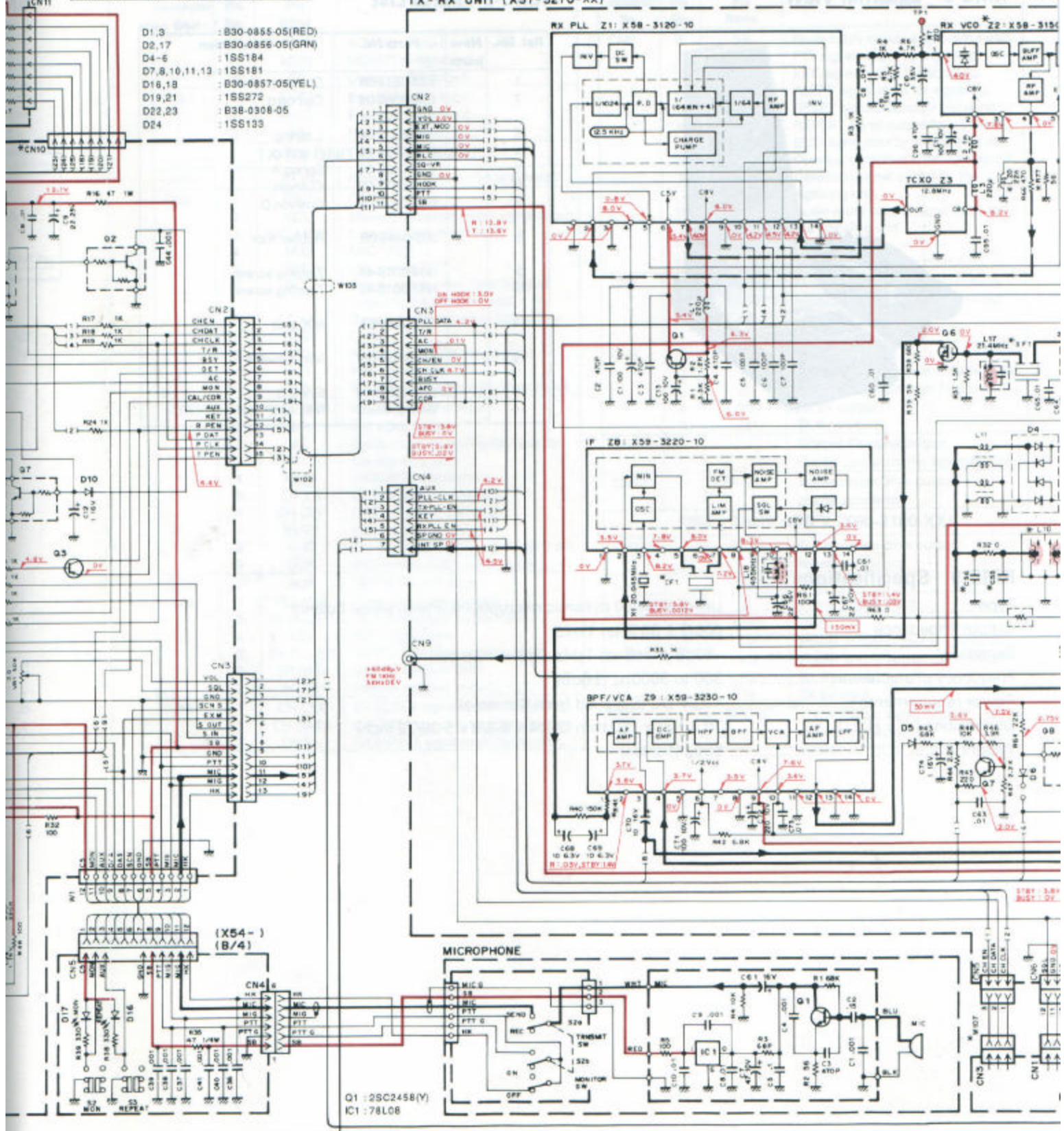


UNIT	X54-Q4, Q14	W2	CN10,13	JP4	C45,46	D21
X54-3270-11	-	-	-	-	-	-
X54-3270-13	0	0	0	0	0	0

UNIT
X57-3270-10
X57-3270-11
X57-3270-12
X57-3270-13
X57-3270-14
X57-3270-15
X57-3270-16
X57-3270-17

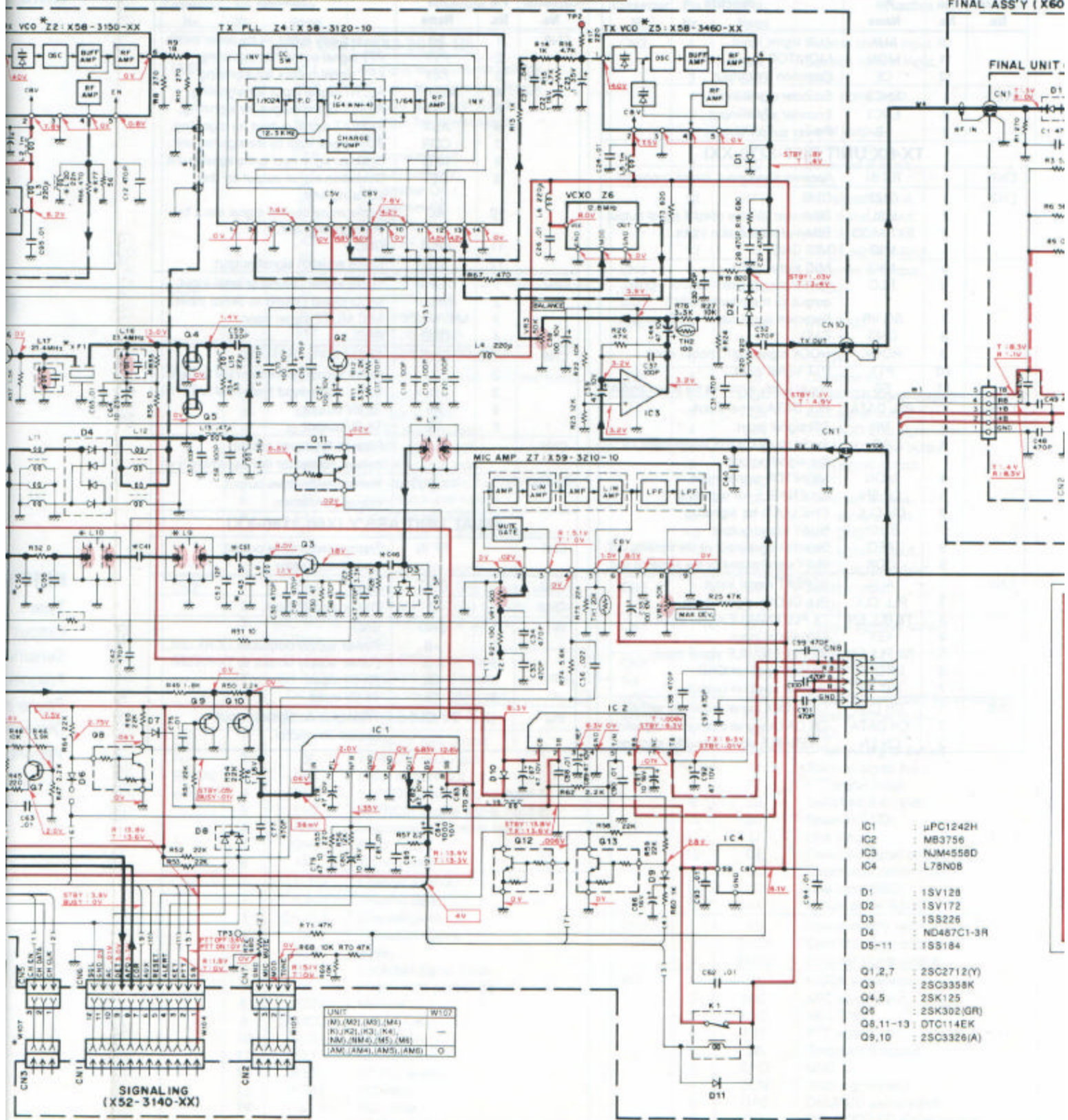
**TX-RX UNIT (X57-3270-XX)**

- D1,3 : B30-0855-05(RED)
- D2,17 : B30-0856-05(GRN)
- D4-6 : 1SS184
- D7,8,10,11,13 : 1SS181
- D16,18 : B30-0857-05(YEL)
- D19,21 : 1SS272
- D22,23 : B3B-0308-05
- D24 : 1SS133



Q1 : 2SC245B(V)  
IC1 : 78L08

UNIT	Z2	Z3	CA1	Q43	Q46	Q51	Q55	Q59	R24	R35	R41	R77	L7.9.10	L20	XF1	CP1
X57-3270-10	X58-3150-15	X58-3460-10	3P	O	33P	10P	10P	10P	1.8K	1.8K	33K	—	L79-0674-03	—	L71-0274-05	L72-0330-05
X57-3270-11	X58-3150-16	X58-3460-11	3P	O	33P	10P	12P	10P	1.2K	1.8K	33K	O	L79-0674-03	—	L71-0274-05	L72-0330-05
X57-3270-12	X58-3150-13	X58-3460-12	3P	O	18P	7P	12P	10P	1.8K	1.8K	33K	—	L79-0683-05	—	L71-0274-05	L72-0330-05
X57-3270-13	X58-3150-14	X58-3460-13	10P	O	33P	10P	12P	10P	1.5K	1.8K	33K	—	L79-0682-05	—	L71-0274-05	L72-0330-05
X57-3270-14	X58-3150-15	X58-3460-14	3P	O	33P	10P	12P	10P	1.8K	1.2K	—	—	L79-0674-05	—	L71-0417-05	L72-0360-05
X57-3270-15	X58-3150-14	X58-3460-13	10P	O	33P	10P	12P	10P	1.5K	1.2K	—	—	L79-0682-05	—	L71-0417-05	L72-0360-05
X57-3270-16	X58-3150-17	X58-3460-14	7P	O	33P	10P	12P	10P	1.2K	1.8K	33K	—	L79-1084-05	—	L71-0274-05	L72-0330-05
X57-3270-17	X58-3150-16	X58-3460-15	7P	O	33P	10P	10P	6P	1.2K	1.8K	33K	—	L79-1095-05	—	L71-0274-05	L72-0330-05



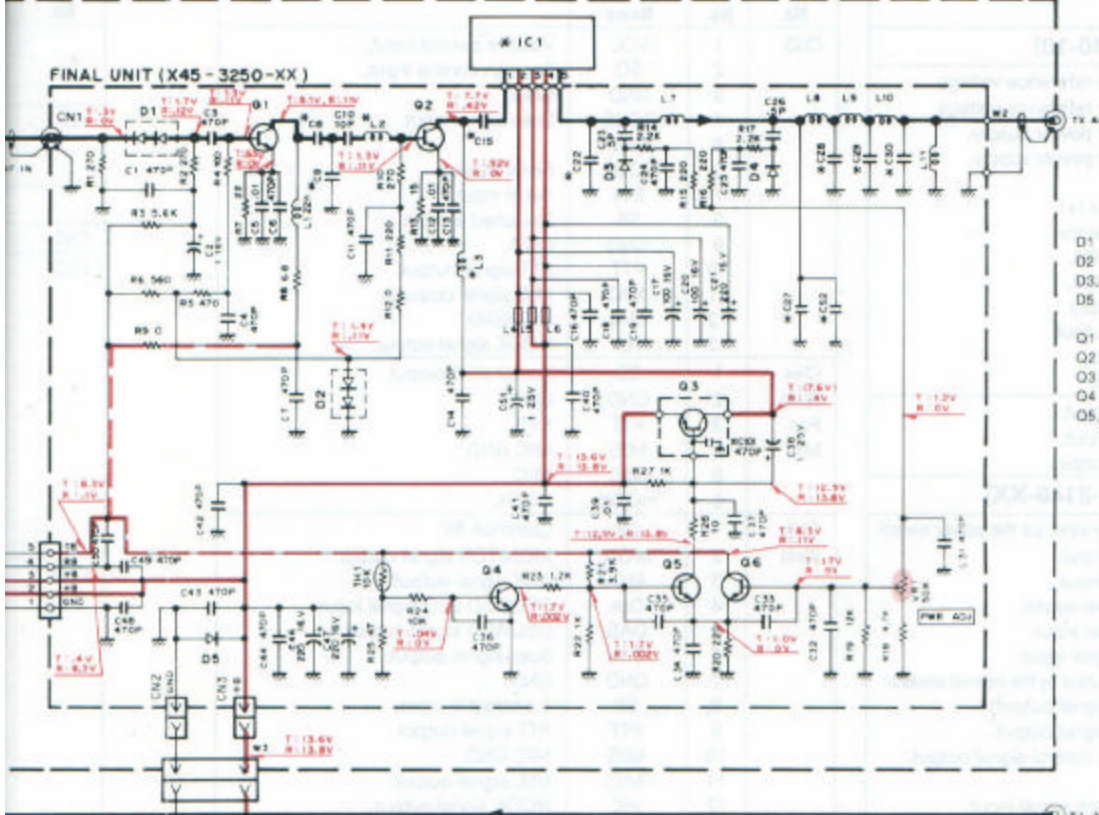
- IC1 : uPC1242H
- IC2 : MB3756
- IC3 : NJM4558D
- IC4 : L78N08
- D1 : 1SV128
- D2 : 1SV172
- D3 : 1S5226
- D4 : ND467C1-3R
- D5-11 : 1S5184
- Q1,2,7 : 2SC2712(Y)
- Q3 : 2SC3358K
- Q4,5 : 2SK125
- Q6 : 2SK302(GR)
- Q8,11-13 : DTC114EK
- Q9,10 : 2SC3326(A)

UNIT	W107
(M), (M2), (M3), (M4)	—
(R), (R2), (R3), (R4), (R5), (R6), (M4), (M5), (M6)	—
(AM), (AM4), (AM5), (AM6)	O

# SCHEMATIC DIAGRAM TKR-820/N/A

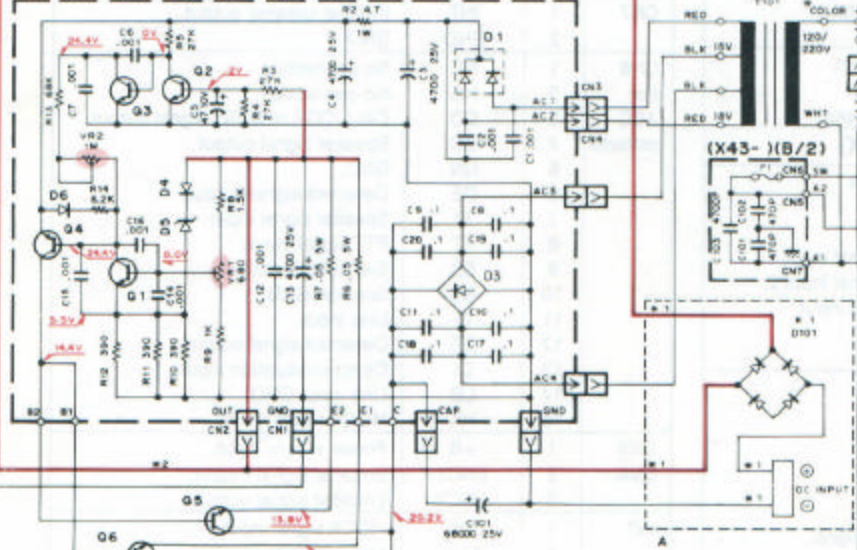
UNIT	C6	C9	C15	C22	C27	C28	C29	C30	C50	L2	L3	IC1	C1E1
X45-3250-10	BP	3P	12P	7P	9P	12P	15P	11P	—	18n	22n	M5729H-01	—
X45-3250-11	BP	3P	12P	7P	9P	12P	15P	11P	—	18n	22n	M5729H-01	—
X45-3250-12	BP	3P	12P	7P	9P	12P	15P	11P	—	18n	22n	M5729H-01	—
X45-3250-13	BP	3P	12P	7P	9P	12P	15P	11P	—	18n	22n	M5729H-01	—
X45-3250-14	BP	3P	12P	7P	9P	12P	15P	11P	—	18n	22n	M5729H-01	—
X45-3250-15	BP	3P	12P	7P	9P	12P	15P	11P	—	18n	22n	M5729H-01	—

FINAL ASS'Y (X60-3180-XX)



- D1 : 15V172
- D2 : 15S226
- D3,4 : 15S101
- D5 : DSA3A1
  
- Q1 : 25C3357
- Q2 : 25C2954
- Q3 : 25B946(Q)
- Q4 : 25C2712(Y)
- Q5,6 : 25C3326(A)

## AVR UNIT (X43-3040-10) (A/2)



USE FOR	T101	COLOR
(K1)(K2)	L01-8041-05	RED
(K3)(K4)	L01-8047-05	BRN

UNIT	DC BACK UP OF A TYPE ONLY
X54-3079-11	NOT USED
X54-3079-13	USED

- D1 : 1B2C1
- D3 : S25V810
- D4,6 : 15S181
- D5 : RD75E82
- D101 : S25V810
  
- Q1-3 : 25C2712(Y)
- Q4 : 25B968(Q)
- Q5,6 : 2N5885



## TERMINAL FUNCTION

Connector No.	Pin No.	Pin Name	Function
<b>AVR UNIT (X43-3040-10)</b>			
(A/2)		AC1	AC input for reference voltage.
		AC2	AC input for reference voltage.
		AC3	AC input for power supply.
		AC4	AC input for power supply.
		GND	GND.
		CAP	For capacitor (+).
		C	Q5, Q6 collector.
		E1	For emitter Q6.
		E2	For emitter Q5.
		GND	GND for output.
		OUT	DC 13.6V output.
		B1	For base Q6.
		B2	For base Q5.
(B/2)		A1	AC power input.
		A2	AC power input.
		SW	Fused AC output.
<b>SIGNALING UNIT (X52-3140-XX)</b>			
CN1	1	SB	Power supply input via the power switch.
	2	PTT	PTT signal input.
	3	KEY	KEY signal input.
	4	ALERT	ALERT signal output.
	5	RESET	RESET signal input.
	6	LOC/REP	REPEAT signal input.
	7	COR	Busy signal output by the internal squelch.
	8	AFO	Detection signal output.
	9	DET	Detection signal output.
	10	AC	Audio mute control signal output.
	11	GND	GND.
	12	SQL	Noise squelch signal input.
CN2	1	TONE	TONE signal (300Hz or less) output.
	2	MOD	MOD signal (300Hz to 3kHz) output.
	3	MIC MUTE	MIC MUTE signal output.
	4	GND	GND.
CN3	1	CH CLK	CH CLOCK signal input.
	2	CH DATA	CH DATA signal input.
	3	CH EN	CH ENABLE signal input.
<b>DISPLAY UNIT (X54-3070-XX)</b>			
CN1 For EEPROM writer	1	DO	EEPROM data output.
	2	DI	EEPROM data input.
	3	CLK	Clock signal input.
	4	EN1	EEPROM enable signal input 1.
	5	EN2	EEPROM enable signal input 2.
	6	RST	Microprocessor reset input.
	7	GND	GND.
	8	NC	No connection.
CN2	1	CH EN	Channel enable.
	2	CH DAT	Channel data.
	3	CH CLK	Channel clock.
	4	T/R	Transmit/receive.
	5	BSY	Busy.
	6	DET	Detected signal input.
	7	AC	Audio mute control signal.
	8	MON	Monitor.
	9	CAL/COR	CALL/COR.
	10	AUX	REP/LOCAL.
	11	KEY	KEY line.
	12	P EN	RX PLL enable.
	13	P DAT	PLL data.
	14	P CLK	PLL clock.
	15	TP EN	TX PLL enable.

Connector No.	Pin No.	Pin Name	Function
CN3	1	VOL	Volume control input.
	2	SQ	Squelch control input.
	3	GND	GND.
	4	SCNS	Scan signal input.
	5	EXM	
	6	SOUT	Serial output.
	7	SIN	Serial input.
	8	SB	Switched B input.
	9	GND	GND.
	10	PTT	PTT signal output.
	11	MIC	MIC signal output.
	12	MIG	MIC GND.
	13	HK	HOOK signal output.
CN4 (B/4) For MIC	1	SB	Switched B output.
	2	GND	GND.
	3	PTT	PTT.
	4	MIG	MIC GND.
	5	MIC	MIC.
	6	HOOK	HOOK.
CN5 (B/4)	1	C5	Common 5V.
	2	MON	MONITOR signal output.
	3	AUX	AUX signal output.
	4	D/A	DEL/ADD LED signal input.
	5	DAS	DEL/ADD signal output.
	6	SCN	Scan signal output.
	7	GND	GND.
	8	SB	Switched B input.
	9	PTT	PTT signal output.
	10	MIG	MIC GND.
	11	MIC	MIC signal output.
	12	HK	HOOK signal output.
CN6	1	SP	Speaker input.
	2	GND	GND.
CN7	1	INT	Internal speaker output.
	2	GND	GND.
CN8 For ACC connector	1	NC	No connection.
	2	NC	No connection.
	3	CO	CALL/COR or BUSY signal output.
	4	SO	Speaker signal output.
	5	GN	GND.
	6	DE	Detected signal output.
	7	SI	Speaker signal input.
	8	PT	PTT signal input.
	9	SB	Switched B output.
	10	SG	Speaker GND.
	11	LJ	Line input.
	12	DE	Detected signal output.
	13	DI	Direct modulation input.
	14	LG	Line input GND.
	15	HK	HOOK signal input.
CN9 (D/4)	1	+B	Power supply input.
	2	ENC1	Encoder signal output.
	3	ENC2	Encoder signal output.
W1	1	HK	HOOK signal input.
	2	MIC	MIC signal input.
	3	MIG	MIG GND.
	4	PTT	PTT signal input.
	5	SB	Switched B output.
	6	GND	GND.
	7	SCN	Scan signal input.
	8	DAS	DEL/ADD signal input.
	9	D/A	DEL/ADD LED signal output.

# TKR-820/N/A

## TERMINAL FUNCTION

Connector No.	Pin No.	Pin Name	Function
	10	AUX	AUX signal input.
	11	MON	MONITOR signal input.
	12	C5	Common 5V output.
W2	1	ENC2	Encoder signal input.
	2	ENC1	Encoder signal input.
	3	+B	Power supply output.
<b>TX-RX UNIT (X57-3270-XX)</b>			
CN1		RX IN	Receiver signal input, coaxial connector.
CN2	1	GND	GND.
	2	VOL	Electronic volume control signal output.
	3	EXT MOD	External modulation input.
	4	MIG	MIC GND.
	5	MIC	MIC signal input.
	6	RLC	Power supply relay control signal output to the power switch.
	7	SO VR	Detection signal output to SQL volume.
	8	GND	GND.
	9	HOOK	HOOK signal (MIC hook) input.
	10	PTT	PTT signal input.
	11	SB	Power supply output via the power switch.
CN3	1	PLL DATA	PLL DATA signal input.
	2	T/R	T/R signal input.
	3	AC	Audio mute control signal input by the signaling unit.
	4	MON	MONITOR signal input.
	5	CH EN	CH ENABLE for signaling.
	6	CH CLK	CH CLOCK for signaling.
	7	BUSY	BUSY signal output.
	8	AFO	Detection signal input via the signaling unit.
	9	COR	BUSY signal output by the signaling unit.
CN4	1	AUX	REPEAT signal input.
	2	PLL CLK	PLL CLOCK signal input.
	3	TX PLL EN	TX PLL ENABLE signal input.
	4	KEY	KEY signal input.
	5	RX PLL EN	RX PLL ENABLE signal input.
	6	SP GND	Internal speaker GND.
	7	INT SP	Internal speaker output.
CN5	1	CH CLK	CH CLOCK signal output for signaling.
	2	CH DATA	CH DATA signal output for signaling.
	3	CH EN	CH ENABLE signal output for signaling.

Connector No.	Pin No.	Pin Name	Function
CN6	1	SB	Power supply output via the power switch.
	2	PTT	PTT signal output for signaling.
	3	KEY	KEY signal output for signaling.
	4	ALERT	ALERT signal input for signaling.
	5	RESET	RESET signal output for signaling.
	6	AUX	REPEAT signal output for signaling.
	7	COR	BUSY signal input by the signaling unit.
	8	AFO	Detection signal input to the signaling unit.
	9	DET	Detection signal output by the signaling unit.
	10	AC	Audio mute control signal input by the signaling unit.
	11	GND	GND.
	12	SQL	Noise squelch signal output.
CN7	1	TONE	TONE signal (300Hz or less) input.
	2	MOD	MOD signal (300Hz to 3kHz) input.
	3	MIC MUTE	MIC MUTE signal input.
	4	GND	GND.
CN8	1	GND	GND.
	2	B	Power supply input (from Final to TX-RX).
	3	B	Power supply input (from Final to TX-RX).
	4	R8	RX 8V output.
	5	T8	TX 8V output.
CN9			Filtered RX signal output, coaxial connector (for assemble line).
CN10		TX OUT	Transmission drive output, coaxial connector.
<b>FINAL UNIT ASS'Y (X60-3180-XX)</b>			
CN1		RF IN	Transmission drive output, coaxial connector.
CN2		GND	GND.
CN3		B	Power supply input.
W1	1	GND	GND.
	2	+B	Power supply output to TX-RX unit.
	3	+B	Power supply output to TX-RX unit.
	4	R8	RX 8V input.
	5	T8	TX 8V input.
W2		RF OUT	Transmission signal output, coaxial connector.

# TKR-820/N/A

## KMC-9 (BASE MICROPHONE)

### KMC-9 External View



### KMC-9 Parts List

\* : New parts

Ref. No.	New parts	Parts No.	Description
1		E23-0612-08	Crimp terminal
2		E30-2080-08	Curl cord
3		G09-0423-08	L spring
4		G09-0424-08	R spring
5		G09-0425-08	Spring A
6		G13-0877-08	Cushion
7		G13-0878-08	Cushion D
8		J02-0448-08	Rubber foot
9		N44-3018-45	Tapping screw
10		N47-3010-46	Tapping screw
11		T91-0368-08	MIC unit
12		S50-1430-08	Micro switch
13		W02-0803-08	SW unit
14		W02-0395-08	MIC AMP unit

### KMC-9 Specifications

Type .....	Uni-directional dynamic microphone (Preamplifier built-in)
Output impedance .....	600Ω ± 30% (at 1kHz)
Sensitivity .....	-50dB ± 3dB (at 1kHz, 0dB = 1V/μ bar)
Frequency characteristic .....	300 to 3000Hz (±6dB)
Power requirements .....	13.8V DC (Supplied from the radio)
Dimensions (W x H x D) .....	70 x 162 x 150 mm (2-3/4 x 6-3/8 x 5-29/32 inch)
Weight .....	550g (1.2 lbs)

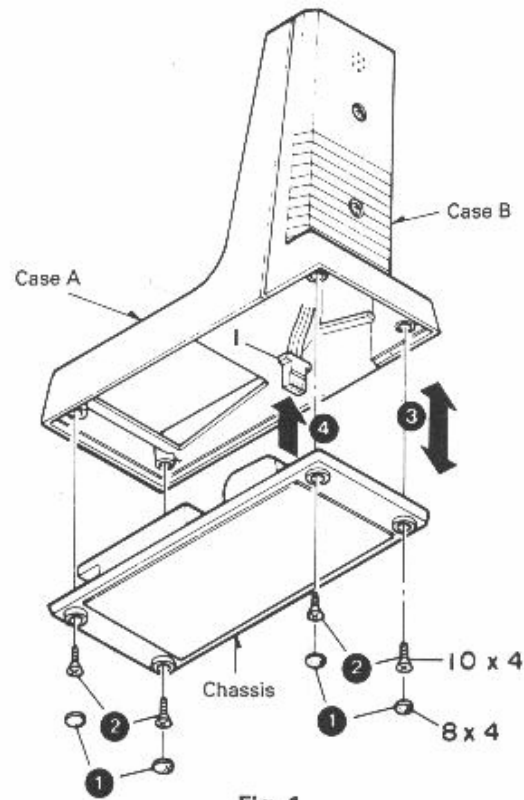
# TKR-820/N/A

## KMC-9 (BASE MICROPHONE)

### KMC-9 Disassembly for Repair

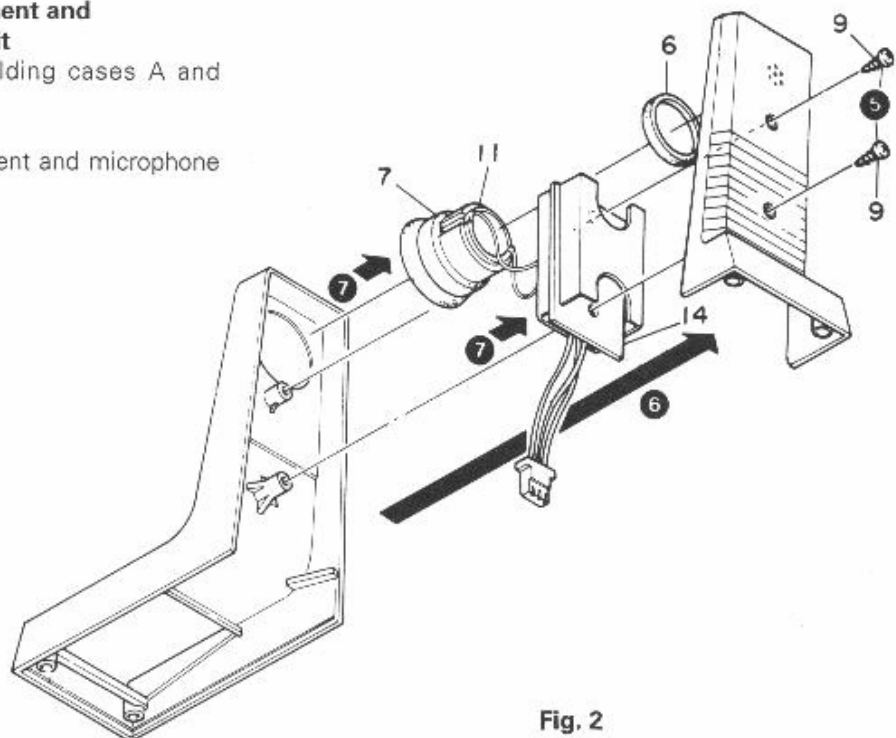
#### • Chassis removal

1. Remove the four rubber feet (1).
2. Remove the four screws (2).
3. Remove the chassis (3).
4. Disconnect the 3-pin connector from the microphone amplification unit (4).



#### • Removal of microphone element and microphone amplification unit

5. Remove the two screws holding cases A and B (5).
6. Remove case B (6).
7. Remove the microphone element and microphone amplification unit (7).



## KMC-9 (BASE MICROPHONE)

- **Switch unit removal**

8. Disconnect the 6-pin connector (8).
9. Remove the springs (L and R) (9).
10. Pull out the shaft (10).
11. Remove spring A and slider (11).
12. Remove the switch unit while pressing the two claws holding the switch unit in the direction of the arrow (12).

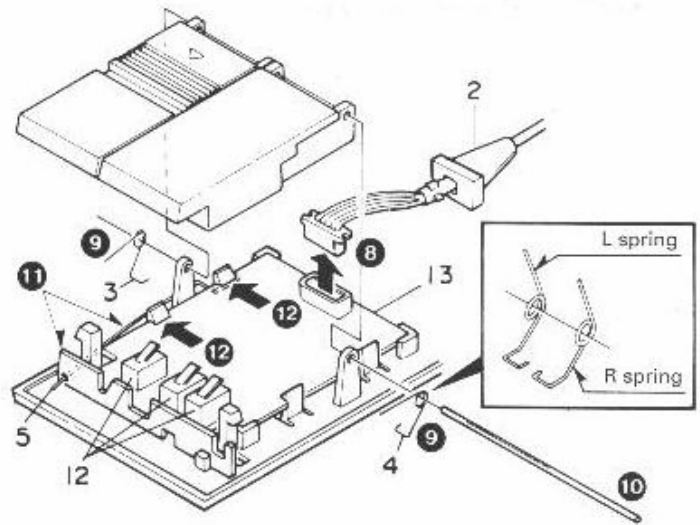


Fig. 3

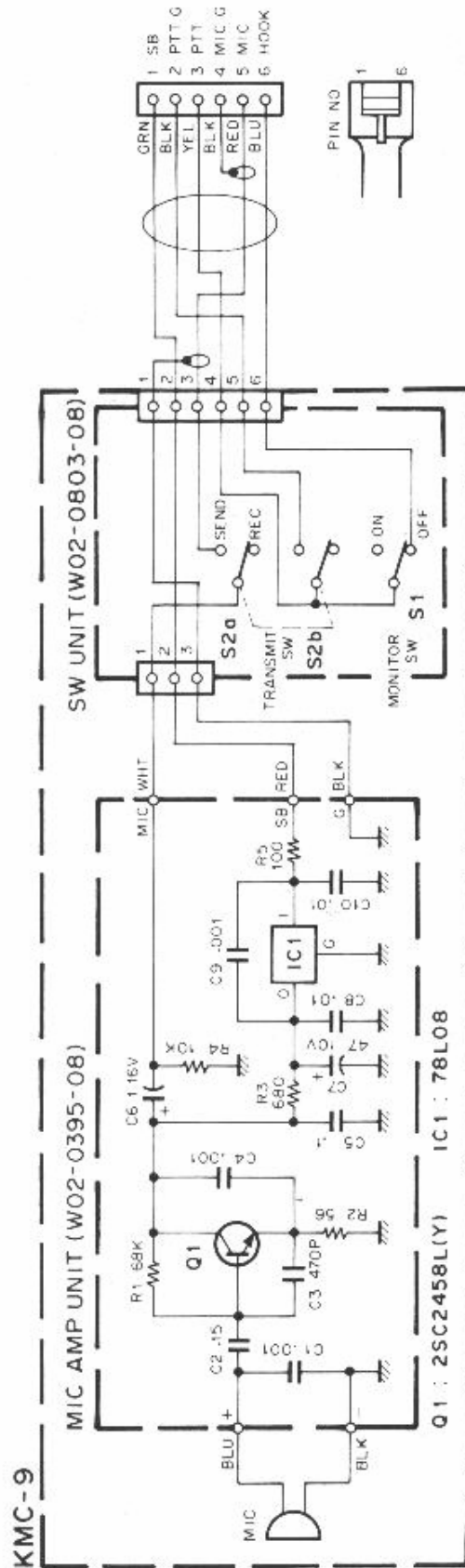
- **Removing microphone plug**

To remove the microphone plug (module) from the Main unit or from the microphone, grasp the rubber cap from up and down with your fingers (to unlock it) and pull it out.

# TKR-820/N/A

## KMC-9 (BASE MICROPHONE)

KMC-9 Circuit Diagram



QT  
I  
S  
E  
S  
DQT  
D  
T  
S  
Time  
Hang  
Press

## SPECIFICATIONS

## GENERAL

Frequency Range .....	450 to 470MHz (K,M,NM,AM type) 470 to 490MHz (K2,M2 type) 490 to 512MHz (K3 type) 490 to 520MHz (M3 type) 406 to 430MHz (K4 type) 400 to 430MHz (M4,NM4,AM4 type) 340 to 360MHz (M5, AM5 type) 360 to 380MHz (M6,AM6 type)
Number of Channels .....	1 (16 : A type only)
Channel Spacing .....	25kHz (PLL channel step 12.5kHz)
Input Voltage .....	120V/220V AC 50/60Hz (Modifiable to DC backup)
Power Consumption .....	200W max.
Duty Cycle .....	50% at 20W output (100% at 5W output)
Temperature Range .....	-30°C to +60°C (-22°F to +40°F)
Dimensions .....	H : 4.72' (120mm) W : 12.99' (330mm) D : 15.08' (383mm)
Weight .....	28.66lbs (13kg)

## RECEIVER (Measurements made per EIA standard EIA-204-C)

RF Input Impedance .....	50Ω
Sensitivity	
EIA 12dB SINAD .....	0.35μV
20dB Quieting .....	0.45μV
Squelch Sensitivity .....	0.2μV threshold
Modulation Acceptance .....	±7kHz
Selectivity .....	-80dB
Intermodulation .....	-75dB
Spurious and Image Rejection .....	-85dB
Audio Power Output .....	4W at 4Ω less than 5% distortion
Frequency Stability .....	±0.00025% from -30°C to +60°C

## TRANSMITTER (Measurements made per EIA standard EIA-152-B)

RF Power Output .....	20W adjustable to 2W (Duplexer output)
RF Output Impedance .....	50Ω
Spurious and Harmonics .....	-70dB
Modulation	
Direct FM Modulation .....	F3E, ±5kHz for 100% at 1000Hz
FM Noise .....	-50dB
Microphone Impedance .....	Low impedance
Audio Distortion .....	Less than 3% at 1000Hz
Frequency Stability .....	±0.00025% from -30°C to +60°C

## SIGNALING

Maximum Number of Tone Combination .....	<table border="1"> <tr> <td>QT</td> <td>8</td> <td>7</td> <td>6</td> <td>5</td> <td>4</td> <td>3</td> <td>2</td> <td>1</td> <td>0</td> </tr> <tr> <td>DQT</td> <td>0</td> <td>1</td> <td>2</td> <td>3</td> <td>4</td> <td>5</td> <td>6</td> <td>7</td> <td>8</td> </tr> </table>	QT	8	7	6	5	4	3	2	1	0	DQT	0	1	2	3	4	5	6	7	8
QT	8	7	6	5	4	3	2	1	0												
DQT	0	1	2	3	4	5	6	7	8												

(In case of cross code operation, the maximum number of decode tone combinations is same as above. Up to eight encode tone may be programmed with any QT, DQT combinations.)

QT Decoder/Encoder	
Decoder/Encoder tone frequency .....	67.0 to 210.7Hz (in 0.1Hz steps)
Decoder response time .....	200msec. or less
Squelch tail elimination time .....	100msec.
Encoder frequency error .....	±0.05% or less
Sensitivity .....	SINAD 8dB or less
DQT Decoder/Encoder	
DQT code .....	23 bits total ; a 3-digit octal number (0 to 7 and 12 bits) with error correction (11 bits)
Decoder response time .....	250msec. or less
Turn-off code transmission time .....	156msec.
Squelch sensitivity .....	SINAD 8dB or less
Time-out-timer .....	Adjustable OFF 30sec. to 5min.
Hangup Timer .....	Adjustable 0 to 5sec.
Preset Squelch Sensitivity .....	0.2μV threshold, 12dB SINAD + 10dB or less tight

# TKR-820/N/A

## **KENWOOD CORPORATION**

14-6, Dogenzaka 1-chome, Shibuya-ku, Tokyo 150, Japan

### **KENWOOD SERVICE CORPORATION**

P.O. BOX 22745, 2201 East Dominguez Street, Long Beach, CA 90801-5745, U.S.A.

### **KENWOOD ELECTRONICS LATIN AMERICA S.A.**

P.O. BOX 55 2791 Piso 6 Plaza Chase Cl. 47 y Aquilino de la Guardia Panama, Republic of Panama

### **KENWOOD ELECTRONICS CANADA INC.**

6070 Kestrel Road, Mississauga, Ontario, Canada L5T 1S8

### **KENWOOD ELECTRONICS DEUTSCHLAND GMBH**

Rembrücker Str. 15, 63150 Heusenstamm, Germany

### **KENWOOD ELECTRONICS BENELUX N.V.**

Mechelsesteenweg 418 B-1930 Zaventem, Belgium

### **TRIO-KENWOOD FRANCE S.A.**

13, Boulevard Ney, 75018 Paris, France

### **TRIO-KENWOOD U.K. LIMITED**

KENWOOD House, Dwight Road, Watford, Herts., WD1 8EB United Kingdom

### **KENWOOD ELECTRONICS NEDERLAND B.V.**

Amsterdamsseweg 35, 1422 AC Uithoorn, The Netherlands

### **KENWOOD ELECTRONICS ITALIA S.p.A.**

Via G. Sirtori, 7/9 20129 Milano, Italy

### **KENWOOD IBERICA S.A.**

Bolivia, 239-08020 Barcelona, Spain

### **KENWOOD ELECTRONICS AUSTRALIA PTY. LTD.**

(A.C.N. 001 499 074)

P.O. Box 504, 8 Figtree Drive, Australia Centre, Homebush, N.S.W. 2140, Australia

### **KENWOOD & LEE ELECTRONICS, LTD.**

Unit 3712-3724, Level 37, Tower one Metropiaza, 223 Hing Fong Road, Kwai Fong, N.T., Hong Kong

1993-6/1995-8/1995-11 (N) 400