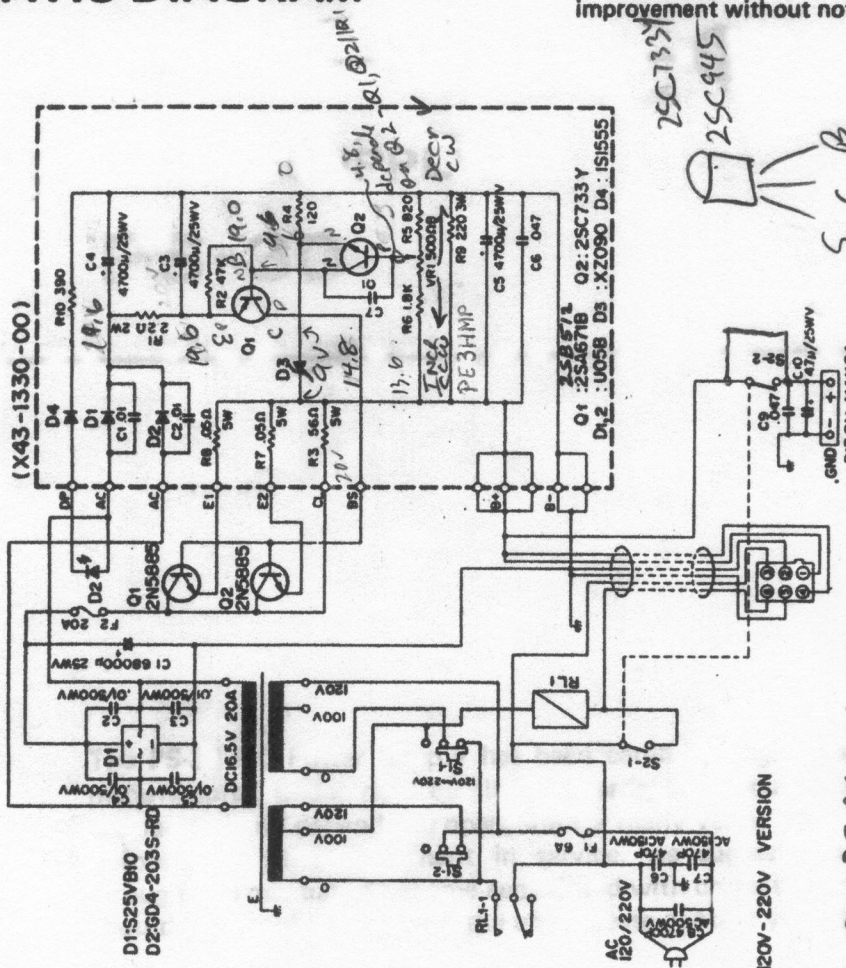
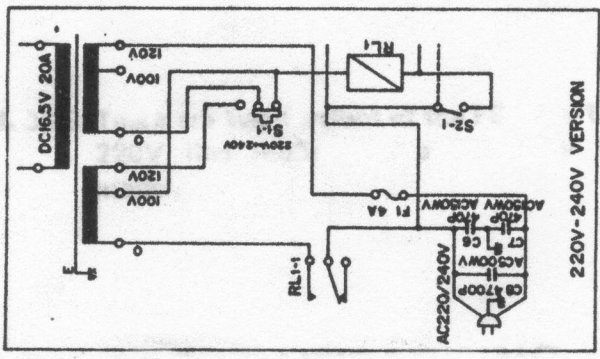


# SCHEMATIC DIAGRAM

• Circuit design and ratings are subject to change for improvement without notice.

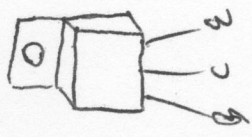


2N5885 = 2N3771  
hFE > 40



Q1 = 2SA671B ORIG  
= 2SBS12  
= 2SA1012(Y)  
= NT-197  
Q2 = 2SC733(Y) ORIG  
= 2SC945

all max of DAMP load  
output set to 13.6V



PS-30

Model PS-30  
Serial No. \_\_\_\_\_  
Date of Purchase \_\_\_\_\_  
Dealer \_\_\_\_\_

A product of  
**TRIO-KENWOOD CORPORATION**  
17-5, 2-chome, shibuya, shibuya-ku Tokyo 150, Japan

---

**TRIO-KENWOOD COMMUNICATIONS**  
1111 West Walnut Street, Compton California 90220, U.S.A  
**TRIO-KENWOOD COMMUNICATIONS, GmbH**  
D-6374 Steinbach TS, Industriestrasse 8A, West Germany  
**TRIO-KENWOOD ELECTRONICS, N.V.**  
Leuvensesteenweg 504, B-1930 Zaventem, Belgium  
**TRIO-KENWOOD (AUSTRALIA) PTY. LTD.**  
4E Woodcock Place, Lane Cove N.S.W. 2066, Australia