



BUMPER MOUNT **VP-1**

INSTRUCTION MANUAL

ASSEMBLING THE CAR ANTENNA MOUNT

1. Main Bracket (see Fig. 2)

- Insert the two hook bolts(6) into the main bracket and assemble with the spring(7) and nut(8).
- Attach the hook bolts(6) to the upper side of the bumper.
- Assemble the bracket E(5) with the main bracket as shown in Fig. 2 and hook it on the lower side of the bumper.
- Hook the bracket D(4) properly on the main bracket and secure the bracket E with the screw (13), spring washer (14) and nut(15).
- Check to make sure that the main bracket is mounted firmly. Retighten the nut (8 or 15) when necessary.

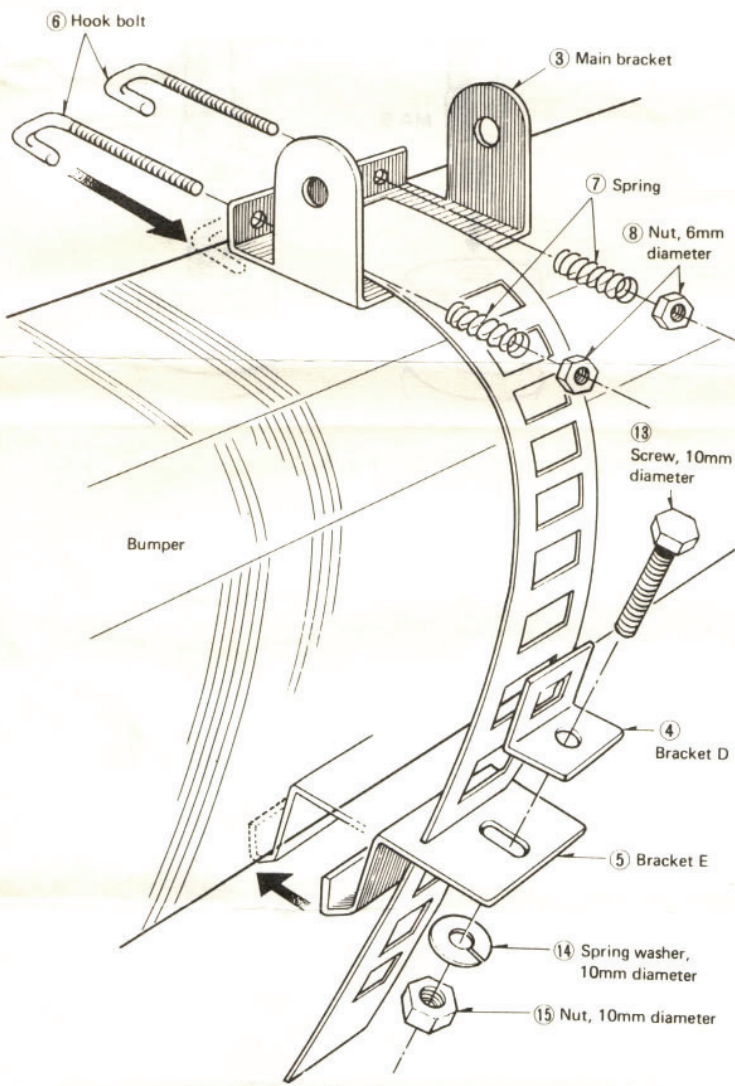


Fig. 2

2. Mounting Bracket B (see Fig. 3)

- Place the rubber washer (20) on the mounting bracket B, then place the ABS mount(19) thereon confirming the mounting holes.
- Insert the three screws(27) into the mounting

holes as shown in Fig. 3. Tighten the screws loosely with the washer(28), spring washer(29) and nut (30), with the terminal(25) attached to one of the screws as illustrated.

- Next, place the spacer(18) on the ABS mount(19), then place the mount spring(17) on the spacer.
- Insert the screw B into the mounting bracket from the underside and screw it into the lower end of the mount spring.
- Attach the washer(22) and spring washer(23) to the screw B and tighten with the nut(24).
- Finally, tighten the terminal(25) to the screw B (21) using the screw(26).
- Retighten the three nuts(30).

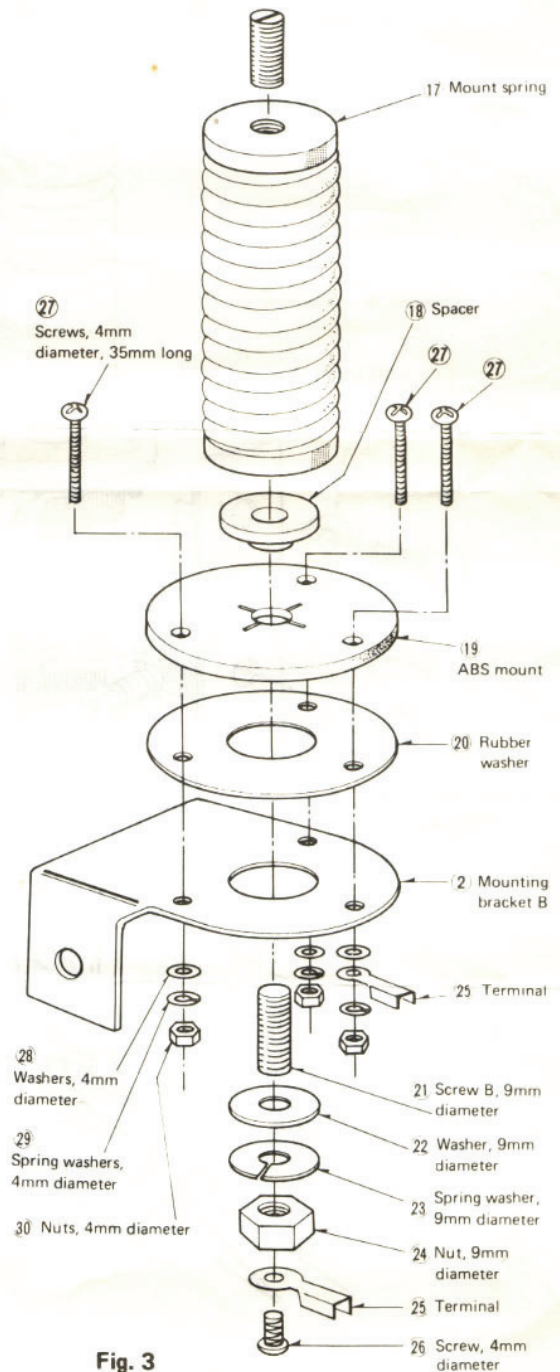


Fig. 3

The VP-1 Bumper Mount is designed to be installed on the bumper of car. The all stainless steel structure assures sufficient rigidity and damp-proofing and should give you many years of dependable mobile operation. Before using, check to make sure that the accessory parts (see Fig. 1) are supplied with the VP-1.

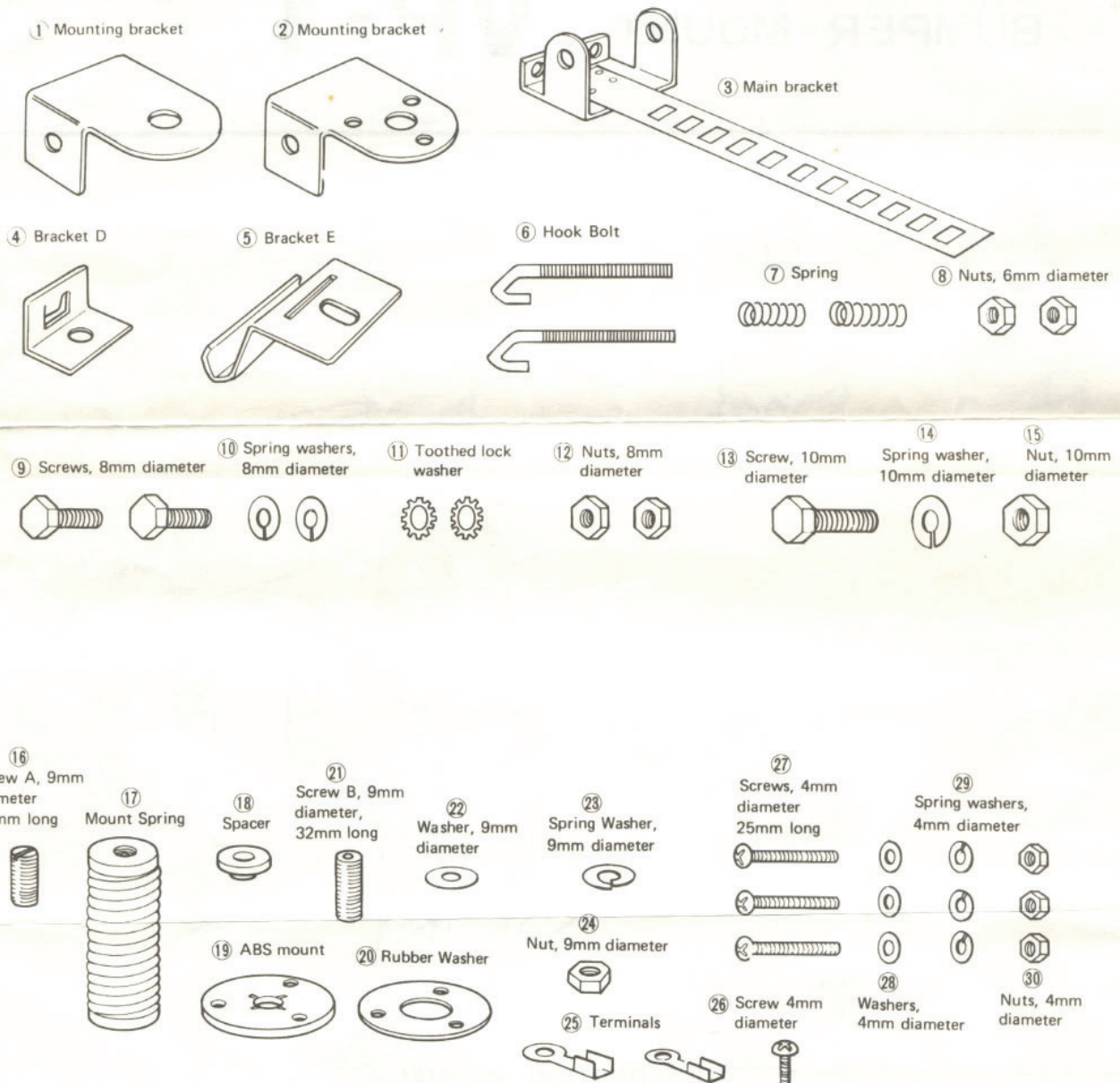


Fig. 1

3. Assembling the Mounting Bracket B and Main Bracket

- Insert the toothed lock washer between the main bracket and the mounting bracket. Assemble the brackets with the screw(9) and spring washer(10).
- Tighten the screw with the nut(12).
- Be sure that the left and right sides are tightened firmly.

Note: The toothed lock washer inserted between the main bracket and the mounting bracket prevents the mounting bracket from being bent or shifted from its position by wind pressure or vibration to the antenna.

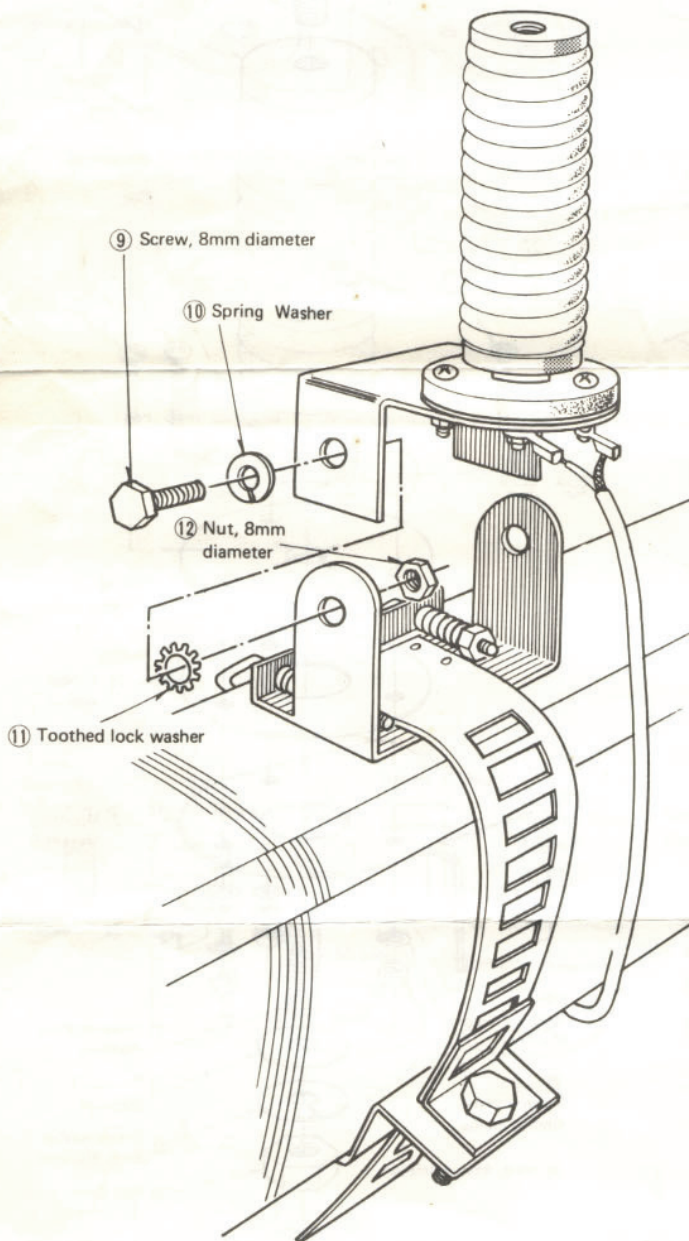


Fig. 4

4. Antenna Installation

- The antenna(MA-5, etc.) must be secured firmly to the top of the mount spring.
- If your antenna has mounting threads, tighten the screw A(16) firmly to the top of the mount spring and then secure the antenna to the screw.

5. Connection of Coaxial Cable

- Solder the conductor of the coaxial cable to the center terminal and the shield braid to the outer terminal.

Note: Although the outer terminal is earthed through the bumper, the main bracket should be connected securely to the car body to improve the efficiency of the antenna.

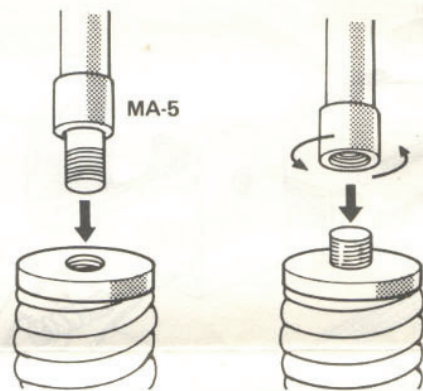


Fig. 5

A product of
TRIO-KENWOOD CORPORATION
6-17, 3-chome, Aobadai, Meguro-ku, Tokyo 153, Japan

TRIO-KENWOOD COMMUNICATIONS, INC.
1111, West Walnut Street, Compton, California, 90220, U.S.A.
TRIO-KENWOOD COMMUNICATIONS, GmbH
D 6374 Stenbach TS, Industriestrasse BA, West Germany
TRIO-KENWOOD (AUSTRALIA) PTY. LTD.
30 Whiting Street, Artarmon, Sydney N.S.W. Australia 2064