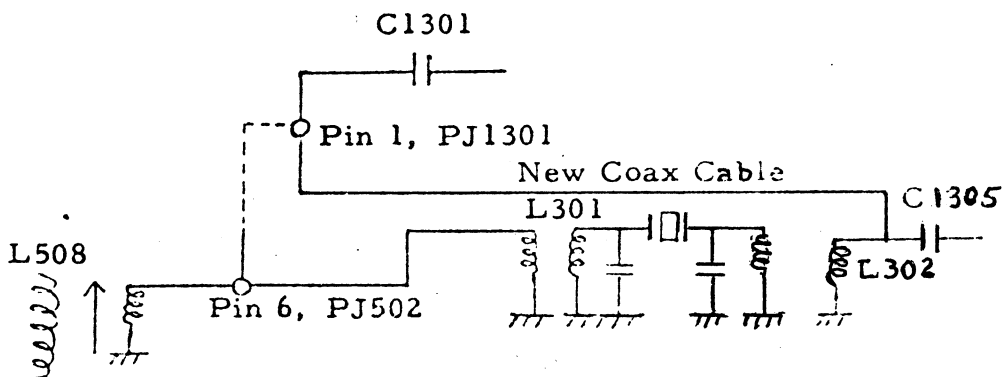


TR 76001

FT-220 MODIFICATION FOR 20DB IMPROVEMENT
OF CROSS MODULATION CHARACTERISTICS

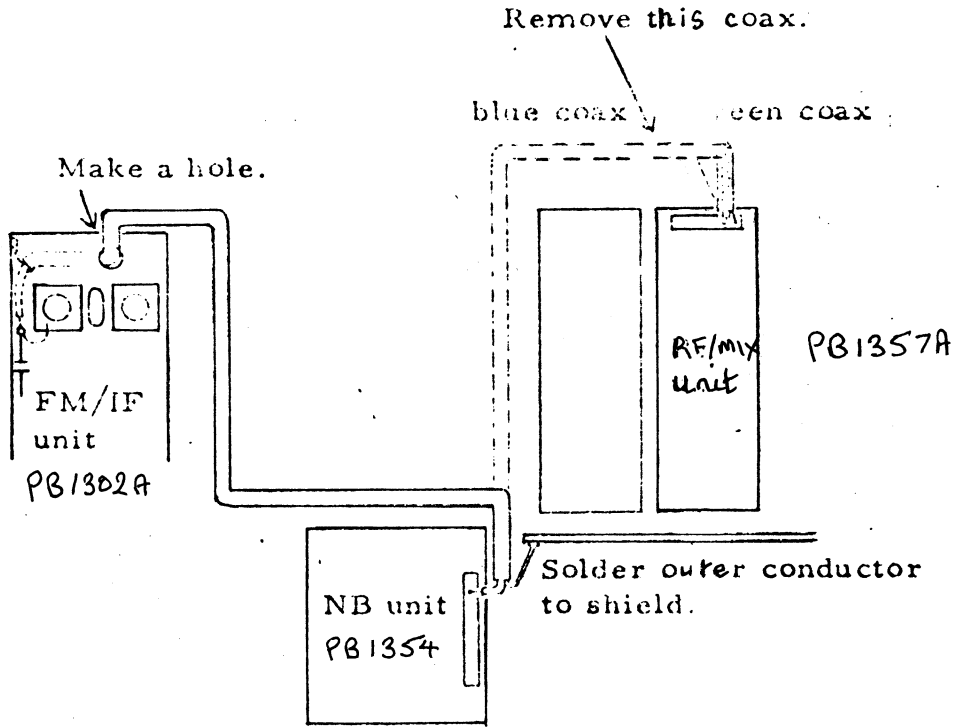


- (1) Remove a blue colored coax cable connected between pin 6 of PJ502 and pin 1 of PJ1301.
- (2) Make a hole on FM/IF unit from which a coax cable is pulled out as illustrated.
- (3) Solder an inner conductor of 30 cm length coax cable to the junction point between the secondary winding of L302 and C305. Solder the outer conductor to the ground.
- (4) Solder an inner conductor of the other end of the coax cable to pin 1 of PJ1301 where the blue coax cable was removed by Step (1). Connect the outer conductor to the ground pin of PJ1301.

Necessary Parts : 1.5D-2V inner conductor of 30 cm length

TB 76001

CODE INDENT NO.



△			NOMENCLATURE		MATERIAL	TRANSACT	FINISH
△							
△			PART NO.		SCALE	DESIGNATION	
△					—		
△							
DATE	REMARKS	DR-BY	APPRO.	CHECK	DR	DESIGN	CODE INDENT NO.
	YAESU MUSEN		—	—	—	—	○